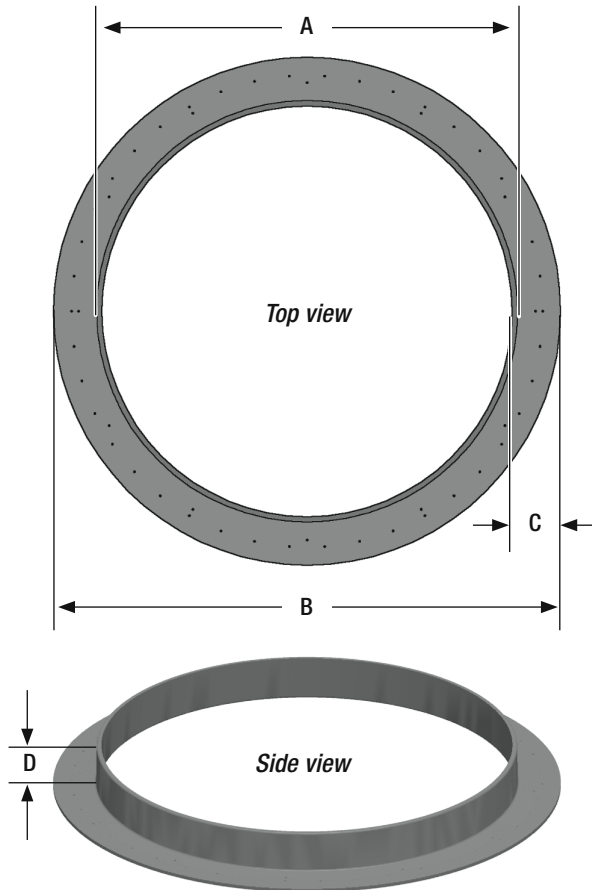


PRTA ABS Tank Adapters

Applications

PRTA tank adapters are used to provide a structural, watertight method of installing a 24- or 30-inch (600- or 750-mm) access riser over a tank opening.



General

Orenco's PRTA tank adapters are molded plastic products and therefore have excellent part-quality and consistency. PRTA tank adapters can be cast into a tank or fastened to the top of the tank with a bolt-down kit. The bolt-down kit consists of either six or twelve (depending on model) stainless steel concrete anchors and a roll of butyl tape.

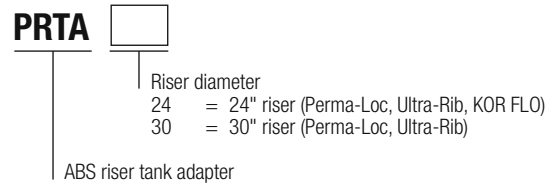
The O.D. of the vertical flange matches the I.D. of Orenco's ribbed risers, which provides a suitable joint to seal with MA320 or ADH200 adhesive.

Standard Models

PRTA24, PRTA30

PRTA24BDKIT (6 anchors), PRTA30BDKIT (12 anchors)

Product Code Diagram



Materials of Construction

Tank adapter	ABS
Concrete anchors	Stainless steel anchor bolts
Sealant	Butyl tape

Specifications

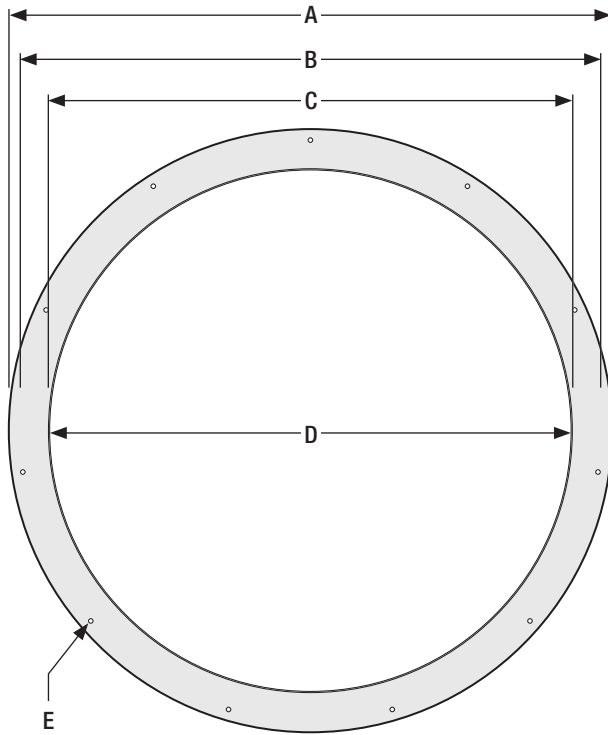
Dimensions*	PRTA24	PRTA30
A - Outside dia., in. (mm)	23.38 (594)	29.25 (743)
B - Flange dia., in. (mm)	26.75 (679)	34.25 (870)
C - Horizontal flange width, in. (mm)	2.00 (51)	2.50 (64)
D - Vertical flange height, in. (mm)	3.50 (89)	3.25 (83)

*The tank adapter has a nominal 0.25 inch (6 mm) thickness.

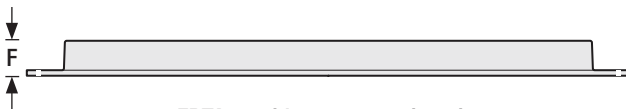
FRTA36 Bolt-Down Tank Adapter

Applications

Orenco® FRTA36 Tank Adapters are used to create a structural, water-tight joint for attaching Orenco's 36-inch (914 mm) Fiberglass Access Risers to concrete tanks.



FRTA36, top view



FRTA36, side cross-section view

General

Fiberglass FRTAs are manufactured using a closed-molding process to produce highly consistent parts.

Orenco FRTA36 Tank Adapters are fastened to the top of the tank with an FRTA36BDKIT bolt down kit. The bolt down kit consists of 12 concrete anchors and a roll of butyl sealant.

Standard Models

FRTA36

Product Code Diagram

FRTA 36

Riser diameter:
36 = 36 in. (914 mm)
Fiberglass tank adapter

Materials of Construction

Fiberglass-reinforced polyester

Specifications

Dimension, in. (mm)	
A	42.00 (1067)
B	39.50 (1003)
C (O.D.)	36.00 (914)
D (I.D.)	35.60 (904)
E	0.25 (6) dia., typical (11 holes)
F	2.38 (60)