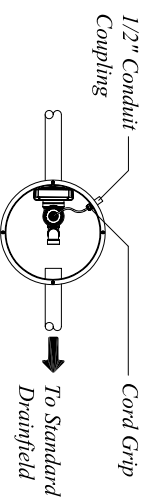
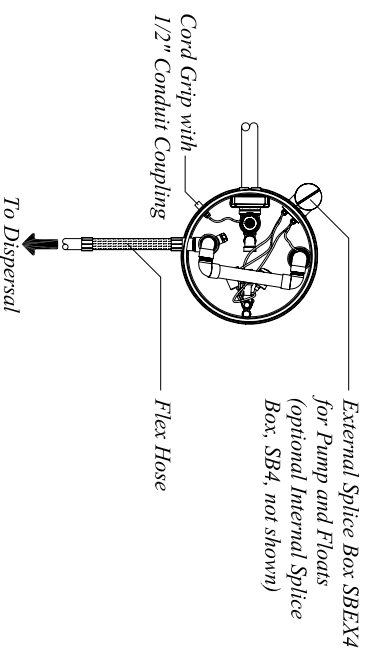


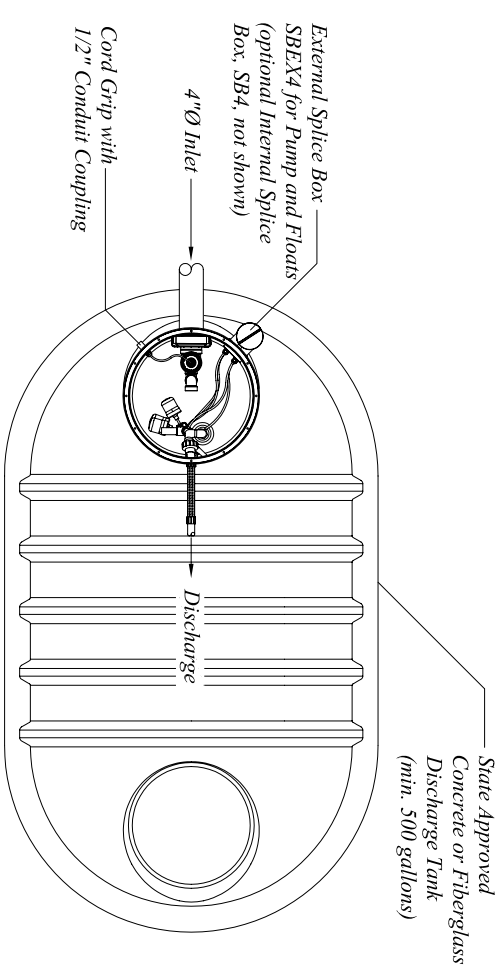
Advantex® AX - UV Discharge Options (Example) for Model AXUV-125/31



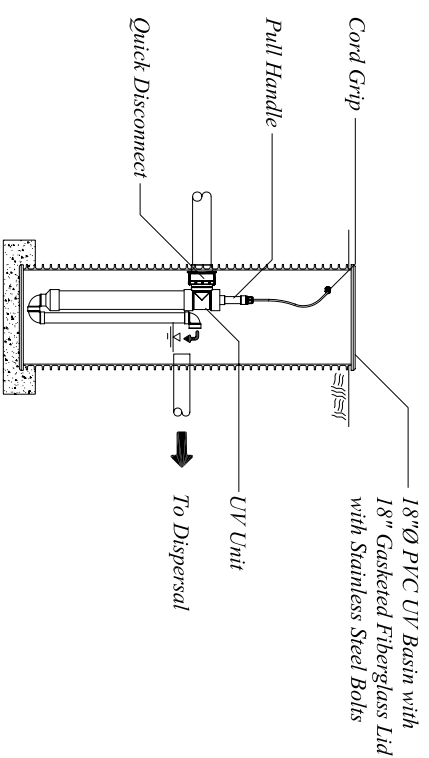
UV Basin: Gravity Discharge Option
Top View



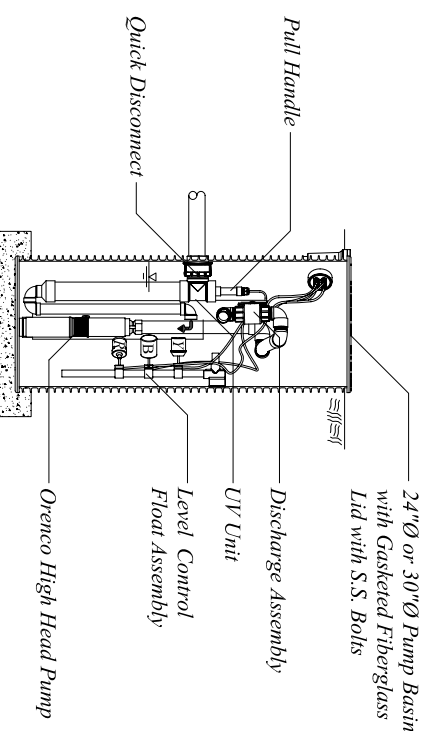
UV Basin: Pump Discharge Option
Top View



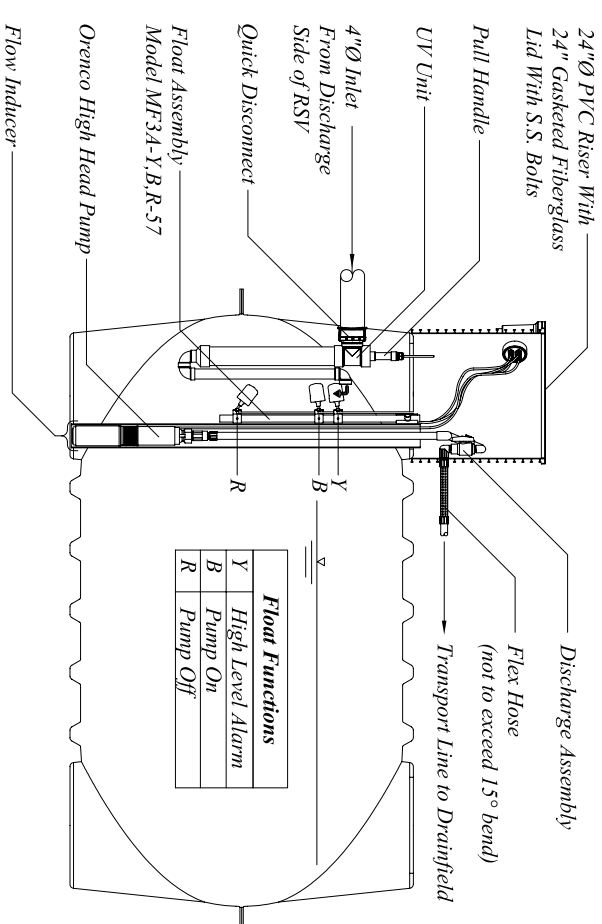
UV Discharge Tank Option
Top View



UV Basin: Gravity Discharge Option
Side View



UV Basin: Pump Discharge Option
Side View



UV Discharge Tank Option
Side View



Graphic Scale

UNAUTHORIZED CHANGES & USES
Oranco has prepared these drawings for use by the design engineer. Oranco will not be responsible or liable for unauthorized changes to or uses of these drawings. All changes to these drawings must be made in writing and must be approved by the design engineer.

PRODUCT CONFIGURATION DRAWINGS



Oranco Systems® Incorporated
Changing the Way the World Does Wastewater

Drawn By: **BEN SMITH**

Drawn For:

Project:

Advantex® - AX UV Discharge Options

Title: **NDW-ATX-OR-21**

Scale: 1" = 3'-0"

Sheet: 1 OF 1

Rev: A-05 Date: 8/02/2011

Copyright © 2011
Oranco Systems®, Inc.