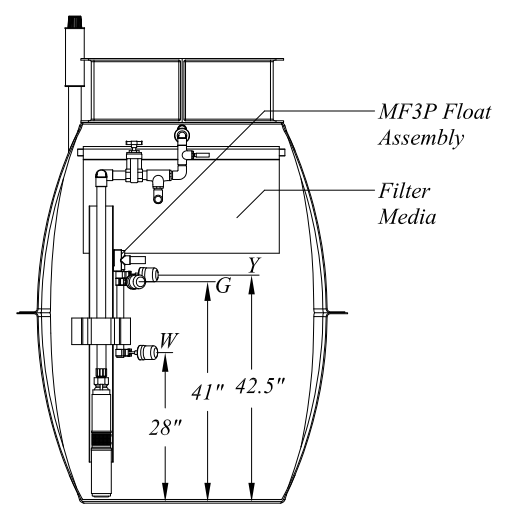


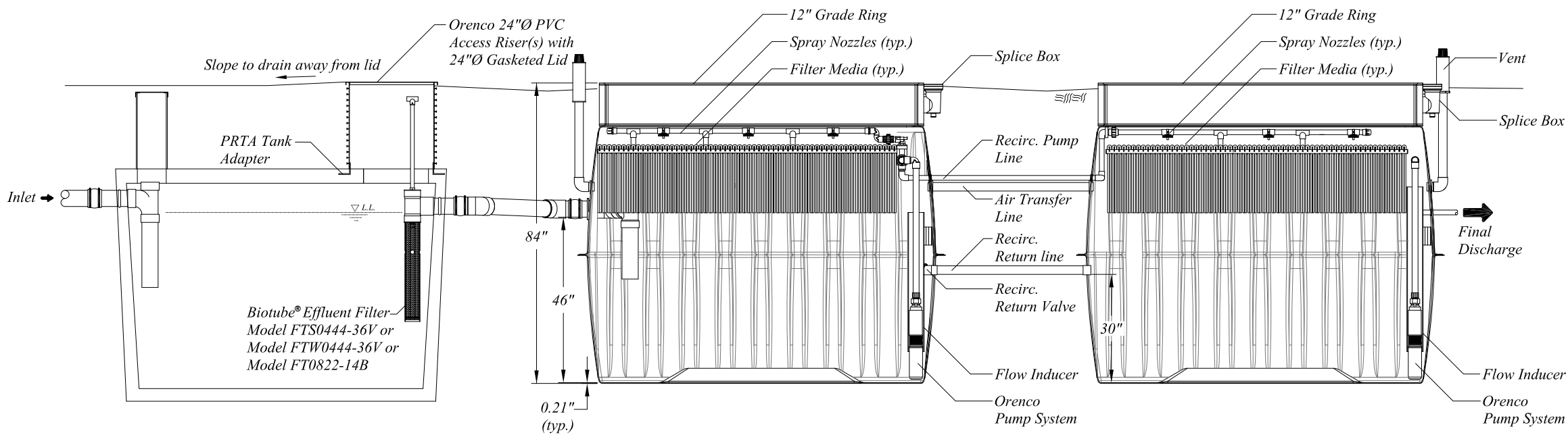
**Primary Tank Top View**  
Not To Scale

**Recirc. Blend Tank Top View**  
Scale: 1" = 3'-0"

**Recirc. Filtrate Tank Top View**  
Scale: 1" = 3'-0"



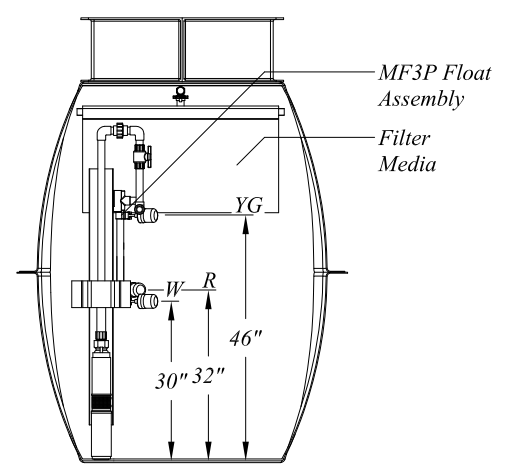
**Recirc. Blend Tank End View**  
Scale: 1" = 3'-0"



**Primary Tank Side View**  
Not To Scale

**Recirc. Blend Tank Side View**  
Scale: 1" = 3'-0"

**Recirc. Filtrate Tank Side View**  
Scale: 1" = 3'-0"



**Recirc. Filtrate Tank End View**  
Scale: 1" = 3'-0"

Float Functions	
Y	High Level Alarm
G	Override Timer ON/OFF
R	Timer ON/OFF
W	LLA/RO



© Orenco Systems, Inc.  
Portions or all of this Standard System Configuration Drawing, as appropriate, may be reproduced and integrated into the site-specific layout and configuration of a system by its designer.

**Disclaimer:** This Standard System Configuration Drawing is provided solely as a design aid, and in no event should it be used as a replacement for site-specific engineering and design of the layout and configuration of an actual system. Orenco neither represents nor warrants that the configuration illustrated herein will perform in compliance with the requirements for any particular site or application.

**AX50RT Mode 1B**  
**with 12" Grade Extension**  
**Details**

Drawn By:	BEN SMITH	Scale:	1" = 3'-0"
Reviewed By:	JP	Sheet:	1 OF 1
File Name:	DR1833.DWG	Rev:	1.0
		Date:	7/20/2016