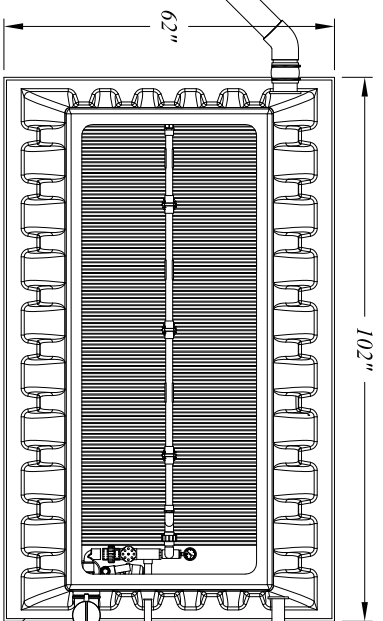
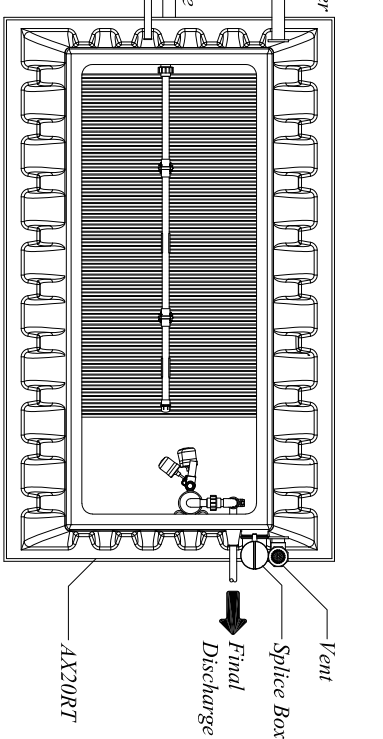


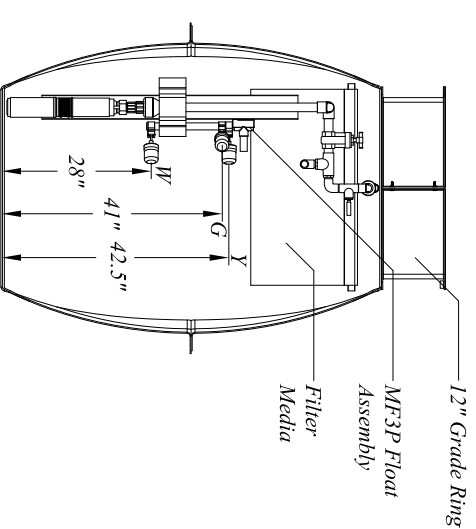
Primary Tank Top View
Not To Scale



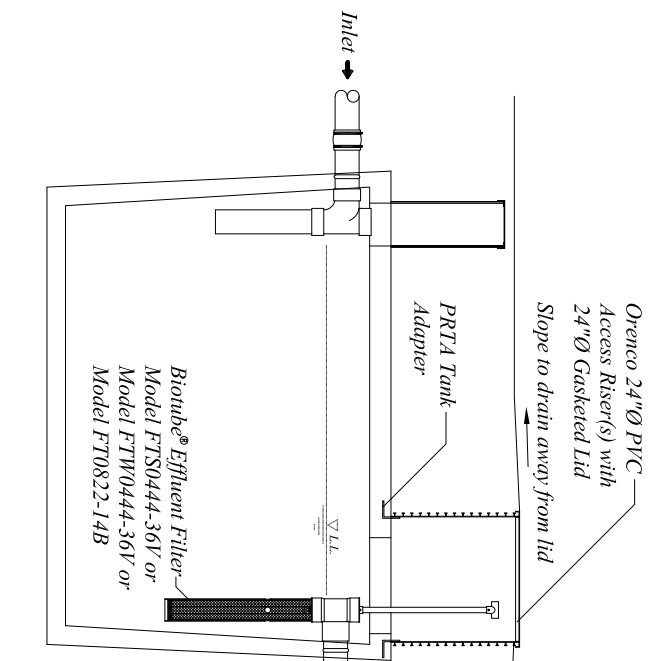
Recirc. Blend Tank Top View
Scale: 1" = 3'-0"



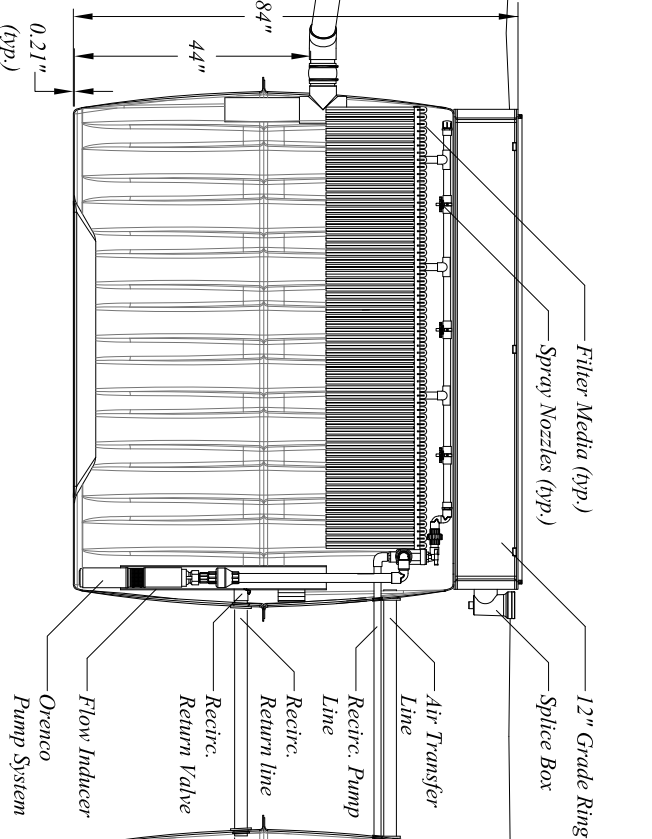
Recirc. Filtrate Tank Top View
Scale: 1" = 3'-0"



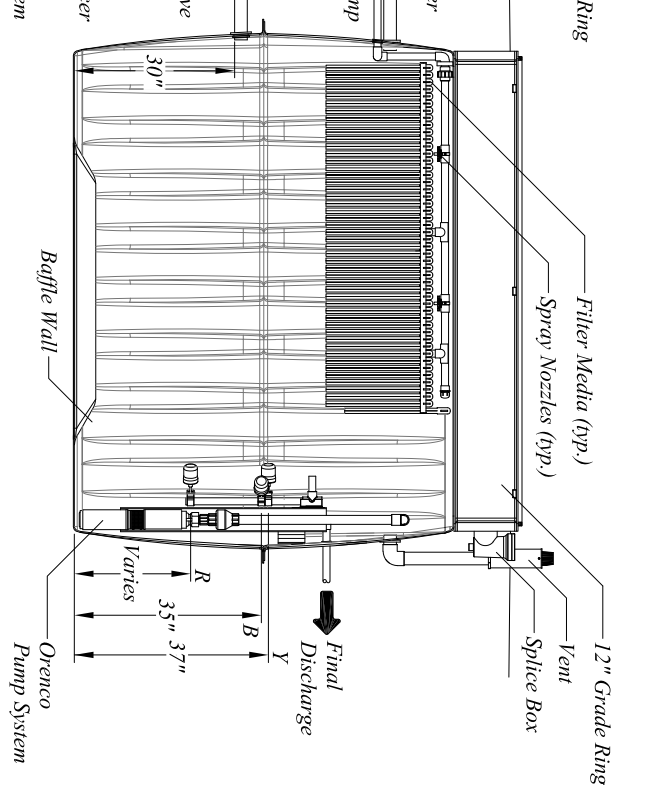
Recirc. Blend Tank End View
Scale: 1" = 3'-0"



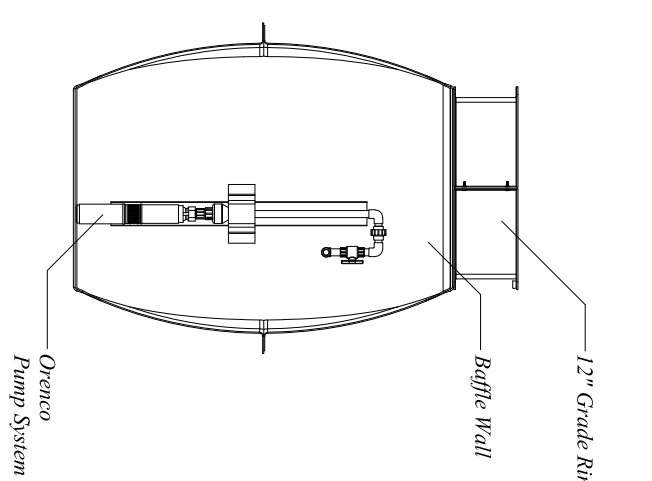
Primary Tank Side View
Not To Scale



Recirc. Blend Tank Side View
Scale: 1" = 3'-0"



Recirc. Filtrate Tank Side View
Scale: 1" = 3'-0"



Recirc. Filtrate Tank End View
Scale: 1" = 3'-0"

Float Functions	
Y	High Level Alarm
B	Pump On
G	Override Timer ON/OFF
R	Pump Off
W	LLARO