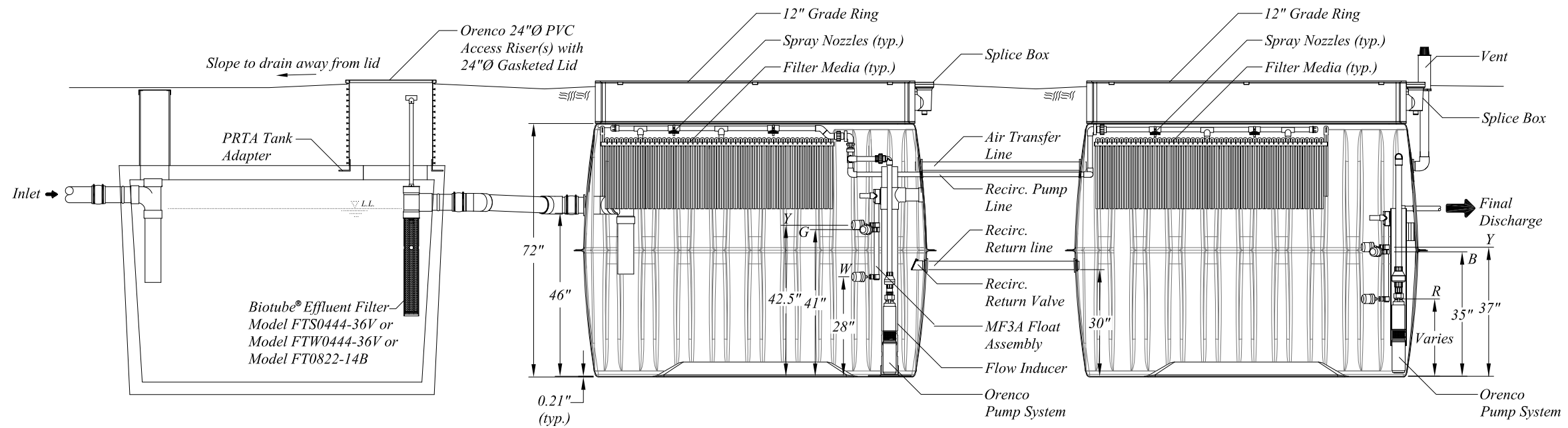


*Primary Tank Top View*  
Not To Scale

*Recirc. Blend Tank Top View*  
Scale: 1" = 3'-0"

*Recirc. Filtrate Tank Top View*  
Scale: 1" = 3'-0"



*Primary Tank Side View*  
Not To Scale

*Recirc. Blend Tank Side View*  
Scale: 1" = 3'-0"

*Recirc. Filtrate Tank Side View*  
Scale: 1" = 3'-0"

Float Functions	
Y	High Level Alarm
B	Pump On
G	Override Timer ON/OFF
R	Pump Off
W	LLA/RO