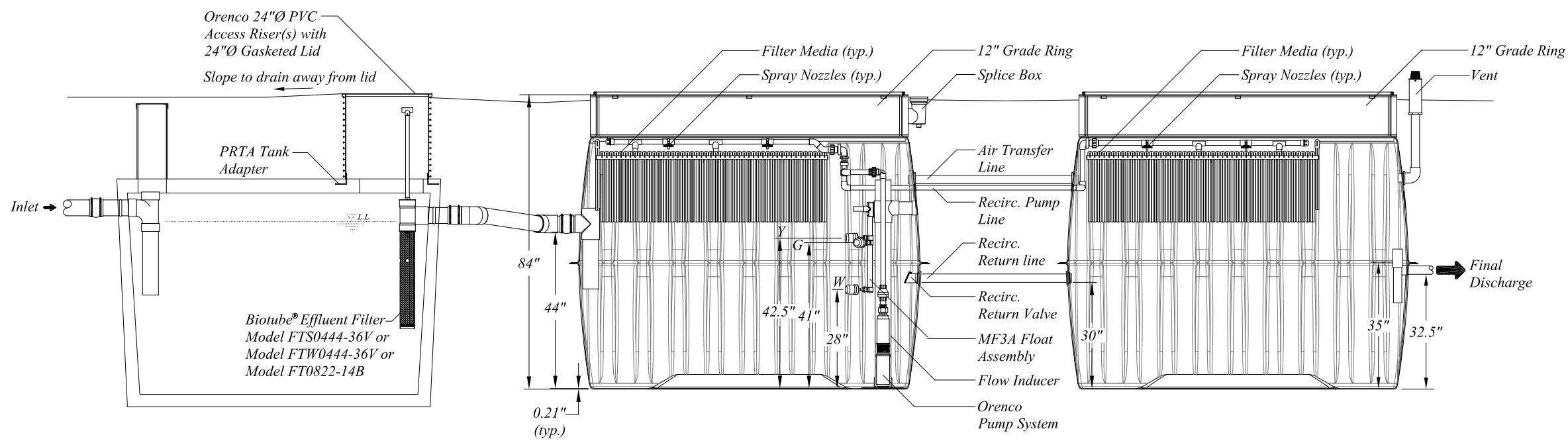


Primary Tank Top View
Not To Scale

Recirc. Blend Tank Top View
Scale: 1" = 3'-0"

Recirc. Filtrate Tank Top View
Scale: 1" = 3'-0"



Primary Tank Side View
Not To Scale

Recirc. Blend Tank Side View
Scale: 1" = 3'-0"

Recirc. Filtrate Tank Side View
Scale: 1" = 3'-0"

Float Functions	
Y	High Level Alarm
G	Override Timer ON/OFF
W	LLA/RO



© Orenco Systems, Inc.
Portions or all of this Proposed System Configuration Drawing, as appropriate, may be reproduced and integrated into the site-specific layout and configuration of a system by its designer.

Disclaimer: This Proposed System Configuration Drawing is provided solely as a design aid and illustrates one possible configuration of a system that would comply with Orenco's design criteria for the requirements and/or specifications that have been communicated to Orenco (based on third-party standards testing protocols and performance reports, as applicable). Design decisions, including the actual layout and configuration of the system and its viability for the project, are at the sole discretion of the systems's designer.

**AdvanTex AX40RT Mode 1A
with 12" Grade Ring**
Details

Drawn By:	BAS	Scale:	1" = 3'-0"
Reviewed By:	AY	Sheet:	1 OF 1
File Name:	DR3201.DWG	Rev:	1.0
		Date:	3/04/2019