

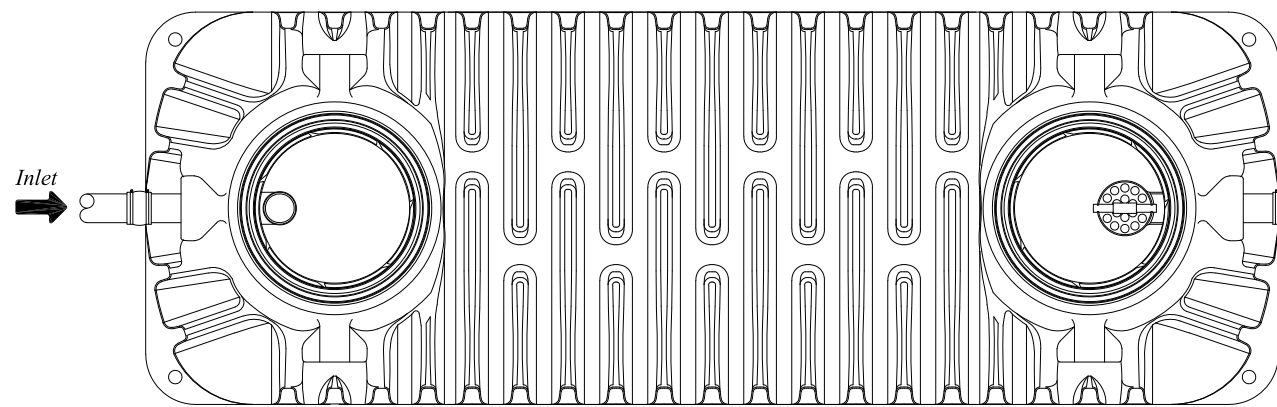
AX25RT Treatment System - Pump Discharge

Design Notes

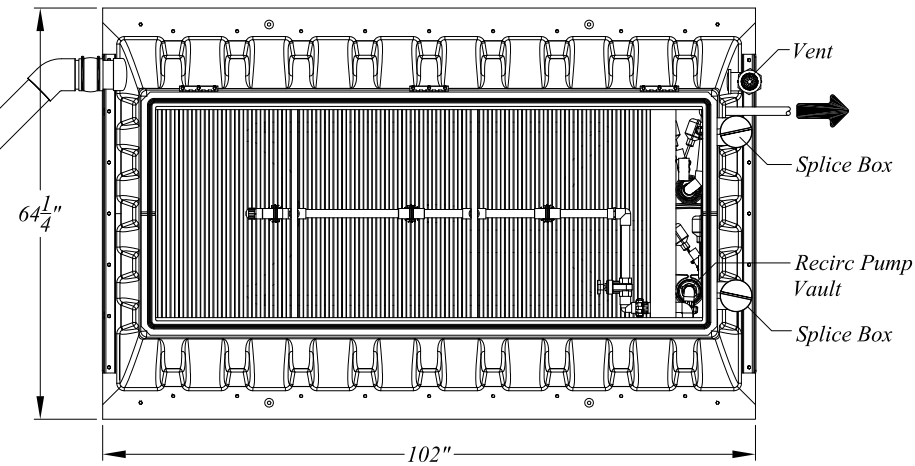
For residential strength waste up to 6 bedrooms.

Installation to be performed by an AdvanTex Authorized Installer only.

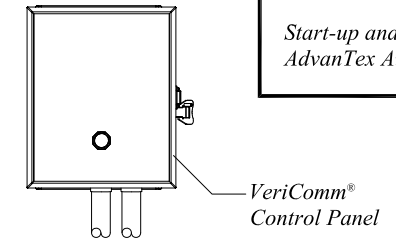
Start-up and service to be performed by an AdvanTex Authorized Service Provider only.



1500 gal. min. Roth Global Plastics, Inc.
Primary Tank - Top View

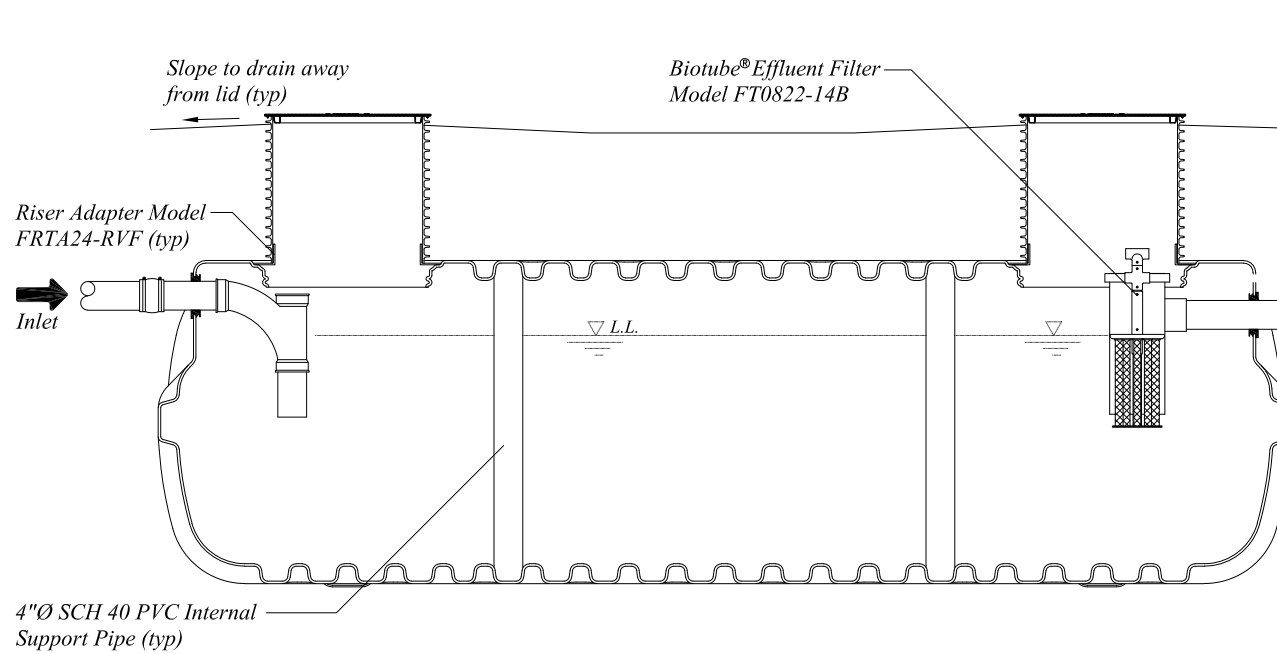


AX25 Recirc. Tank - Top View

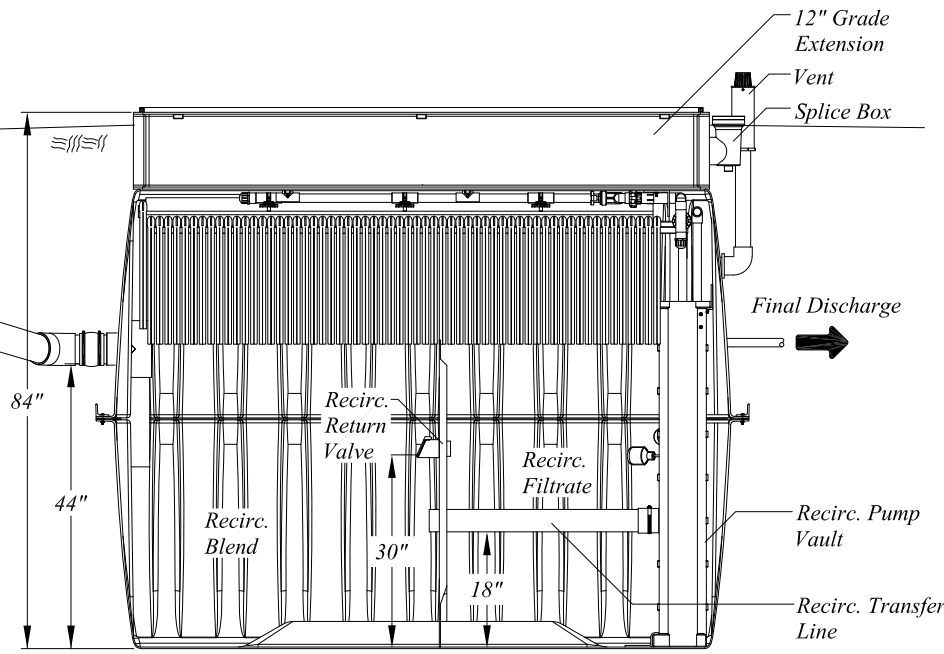


Control Panel Detail
Not To Scale

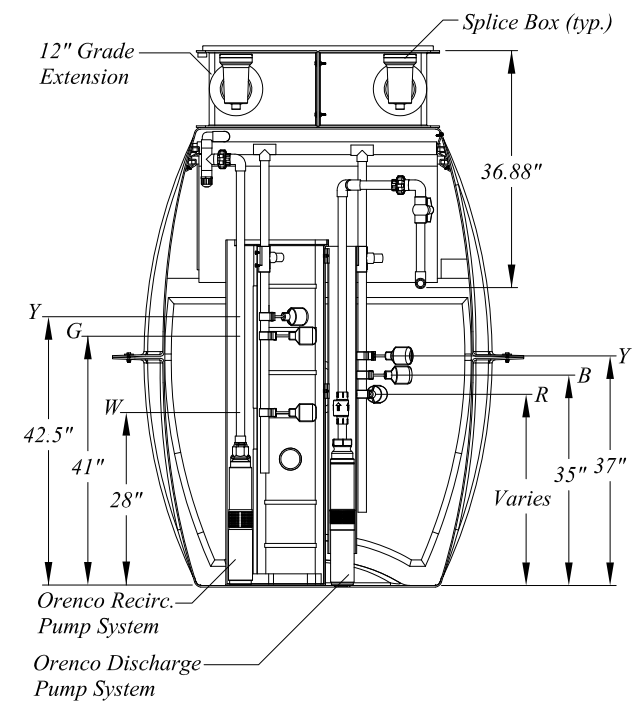
| Float Functions | |
|-----------------|-----------------------|
| Y | High Level Alarm |
| B | Pump On |
| G | Override Timer ON/OFF |
| R | Pump Off |
| W | LLA/RO |



1500 gal. min. Roth Global Plastics, Inc.
Primary Tank - Side View



AX25 Recirc. Tank - Side View



Discharge Chamber - End View



© Orengo Systems, Inc.
Portions or all of this Standard System Configuration Drawing, as appropriate, may be reproduced and integrated into the site-specific layout and configuration of a system by its designer.

Disclaimer: This Standard System Configuration Drawing is provided solely as a design aid, and in no event should it be used as a replacement for site-specific engineering and design of the layout and configuration of an actual system. Orengo neither represents nor warrants that the configuration illustrated herein will perform in compliance with the requirements for any particular site or application.

Project: AX25RT Mode 1B with
Roth Plastics Tank and 12" Grade Extension

Description: Details

Drawn By: BEN SMITH

Reviewed By: CSJ

File Name: NDW-ATX-RT-STD-49

Scale: 1" = 30"

Sheet: 1 OF 1

Rev: 1.0 Date: 11/05/2020