

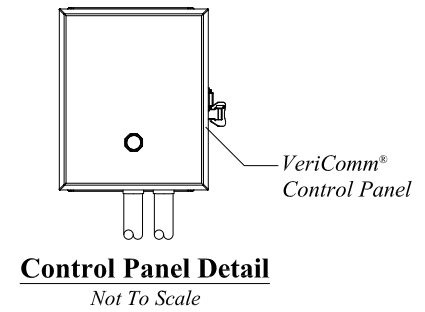
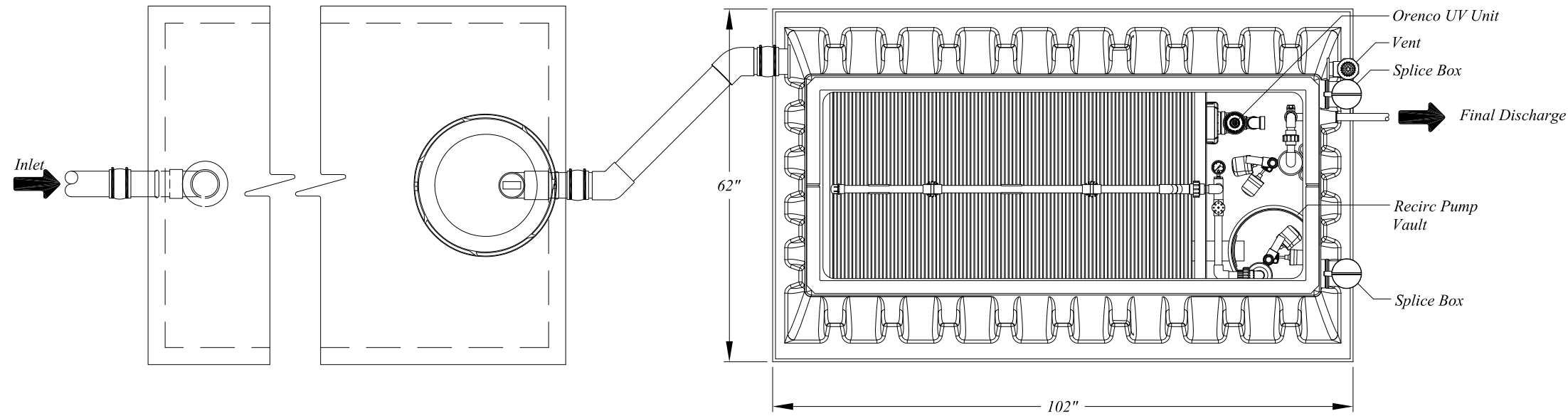
AX20RTUV Treatment System - UV with Pump Discharge

Design Notes

For residential strength waste up to 4 bedrooms.

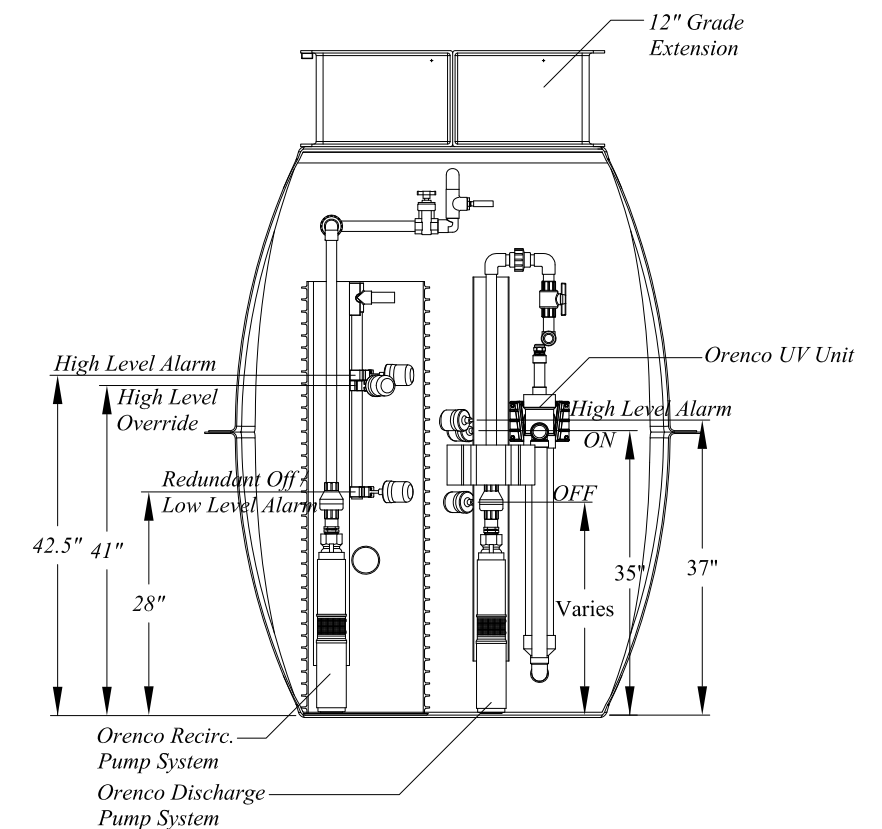
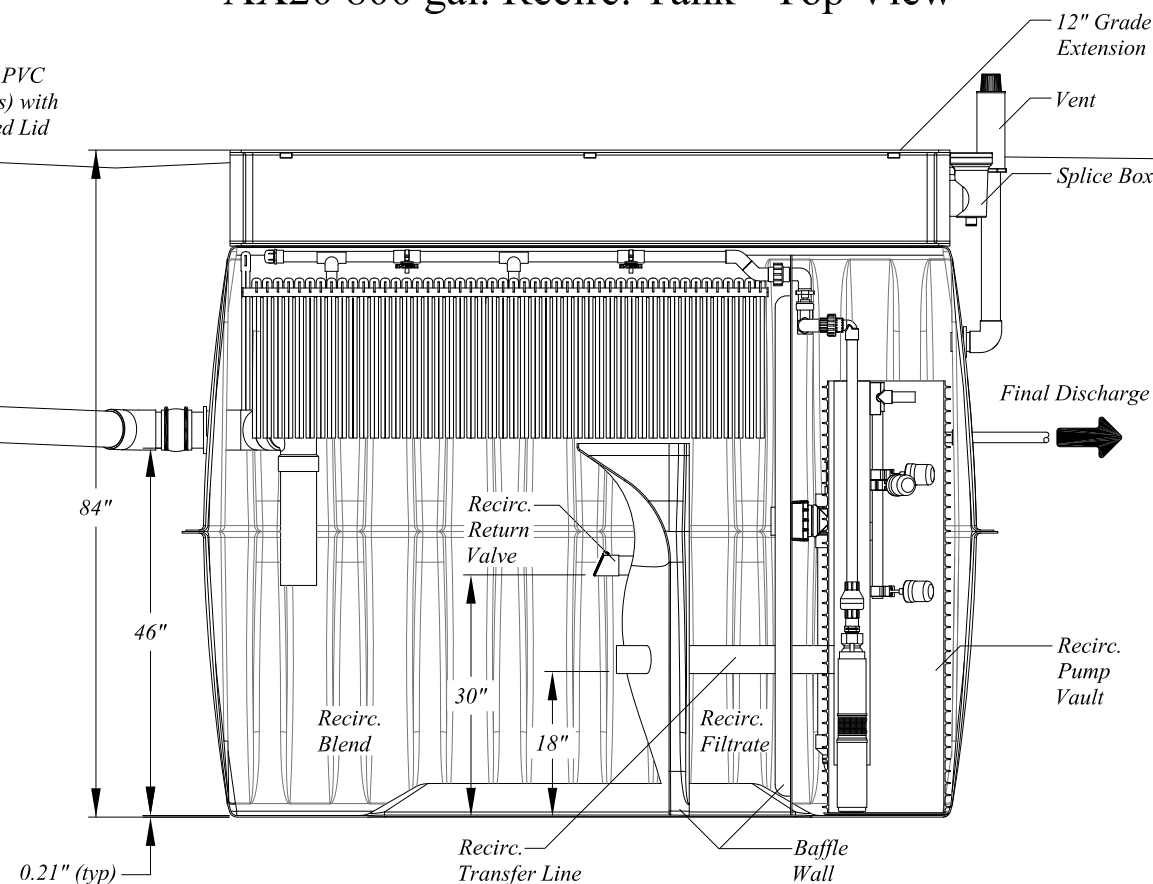
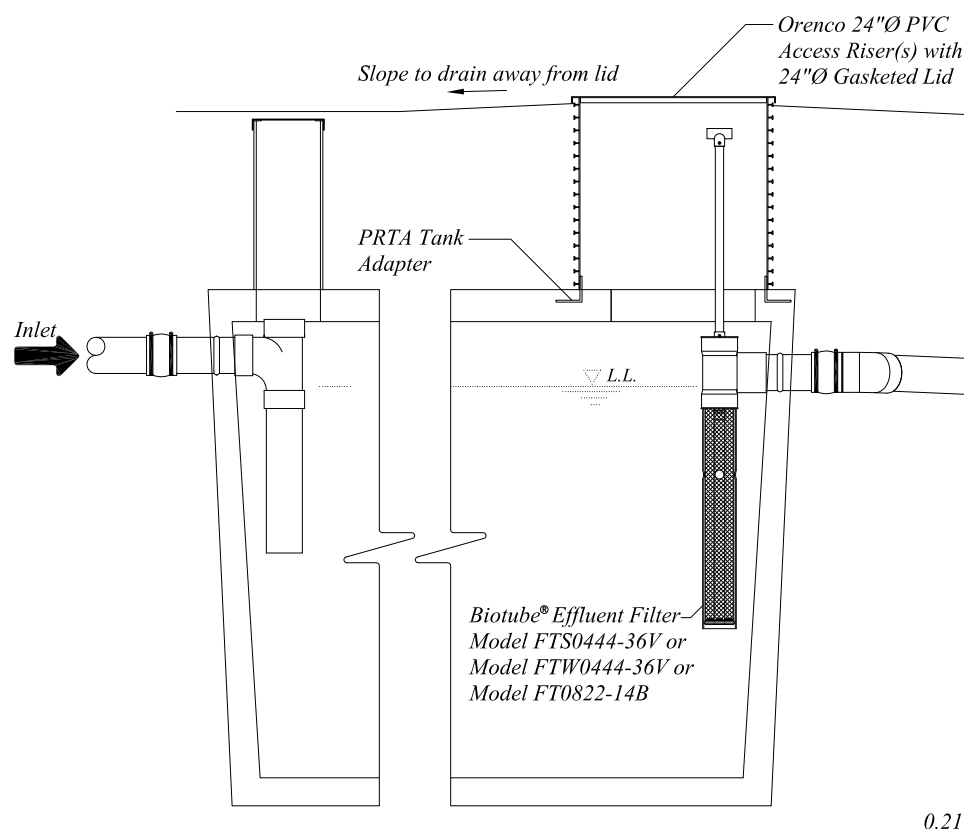
Installation to be performed by an AdvanTex Authorized Installer only.

Start-up and service to be performed by an AdvanTex Authorized Service Provider only.



1000 gal. Primary Tank - Top View

AX20 800 gal. Recirc. Tank - Top View



1000 gal. Primary Tank - Side View

AX20 800 gal. Recirc. Tank - Side View

Discharge Chamber - End View

Copyright © 2015
Orenco Systems®, Inc.

UNAUTHORIZED CHANGES & USES
Orenco has prepared these drawings for use by the design engineer. Orenco will not be responsible or liable for unauthorized changes to or uses of these drawings. All changes to these drawings must be made in writing and must be approved by the design engineer.

PRODUCT CONFIGURATION DRAWINGS

Orenco®
Orenco Systems®, Incorporated

Drawn By: *BEN SMITH*
Drawn For:

Project: AX20RTUV Mode 1B
with 12" Grade Extension
Title: NDW-ATX-RT-STD-32

Scale: 1" = 2'-0"
Sheet: 1 OF 1
Rev: A-01 Date: 7/23/2015