

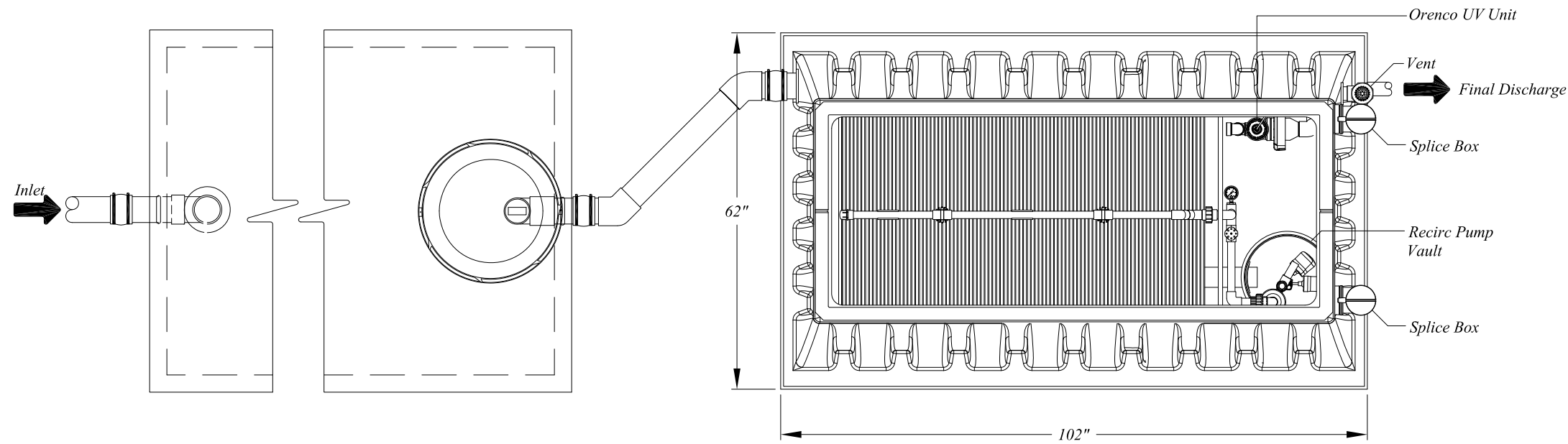
AX20RTUV Treatment System - UV with Gravity Discharge

Design Notes

For residential strength waste up to 4 bedrooms.

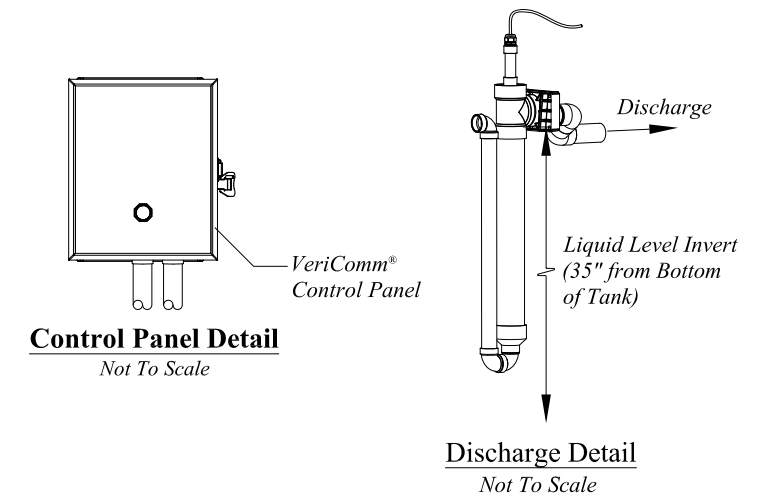
Installation to be performed by an AdvanTex Authorized Installer only.

Start-up and service to be performed by an AdvanTex Authorized Service Provider only.



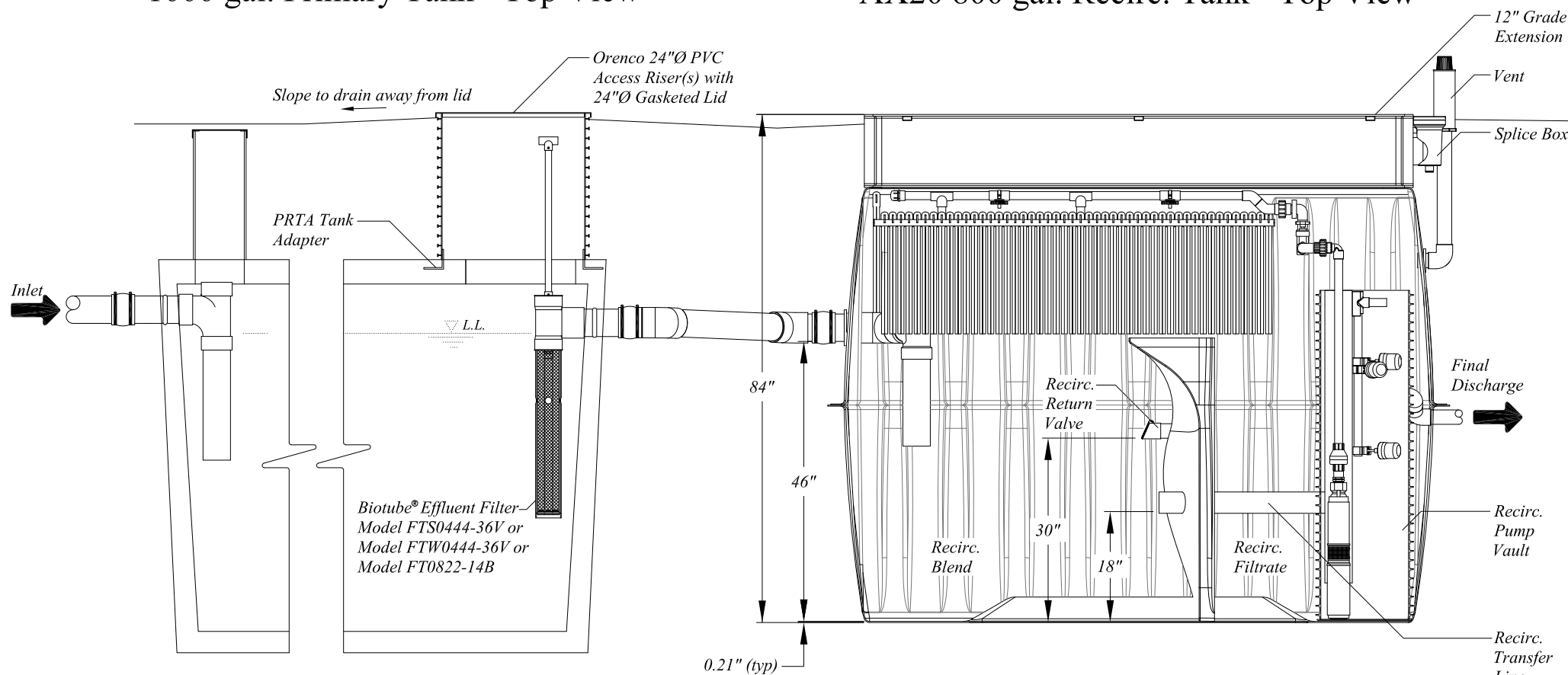
1000 gal. Primary Tank - Top View

AX20 800 gal. Recirc. Tank - Top View



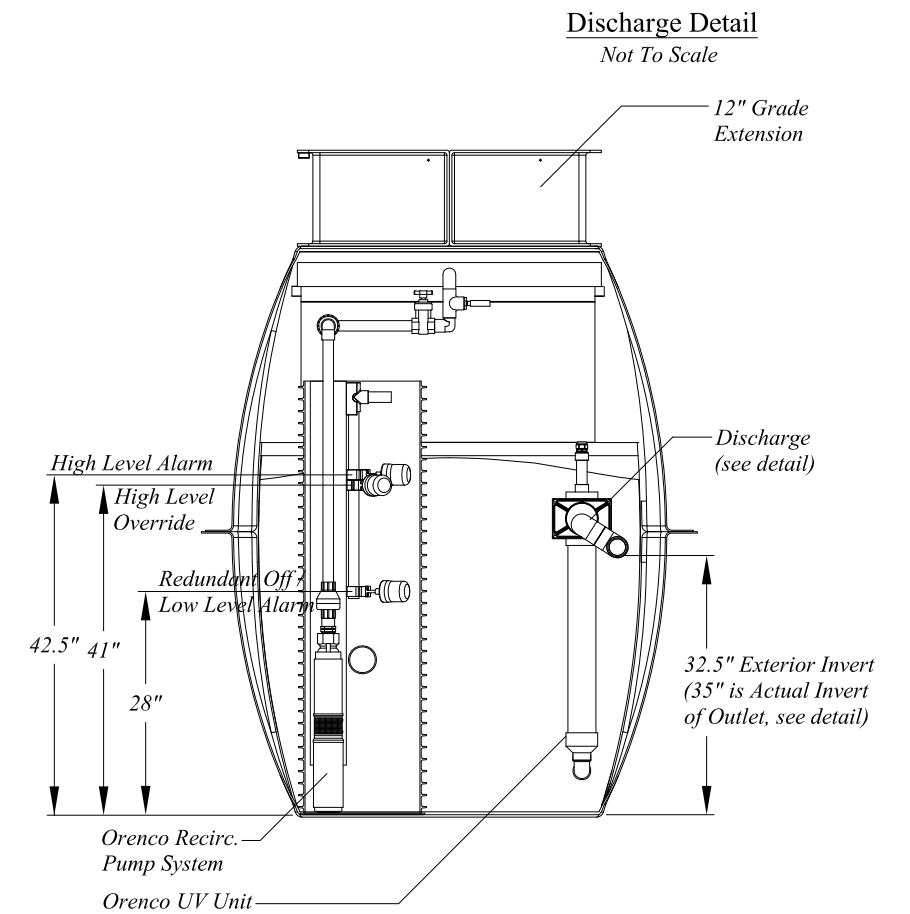
Control Panel Detail
Not To Scale

Discharge Detail
Not To Scale



1000 gal. Primary Tank - Side View

AX20 800 gal. Recirc. Tank - Side View



Discharge Chamber - End View



© Orenco Systems, Inc.
Portions or all of this Standard System Configuration Drawing, as appropriate, may be reproduced and integrated into the site-specific layout and configuration of a system by its designer.

Disclaimer: This Standard System Configuration Drawing is provided solely as a design aid, and in no event should it be used as a replacement for site-specific engineering and design of the layout and configuration of an actual system. Orenco neither represents nor warrants that the configuration illustrated herein will perform in compliance with the requirements for any particular site or application.

AX20RTUV Mode 1A
with 12" Grade Extension

Details

Drawn By: BEN SMITH

Reviewed By: CSJ

File Name: NDW-ATX-RT-STD-35

Scale: 1" = 2'-0"

Sheet: 1 OF 1

Rev: 1.0 Date: 10/23/2015