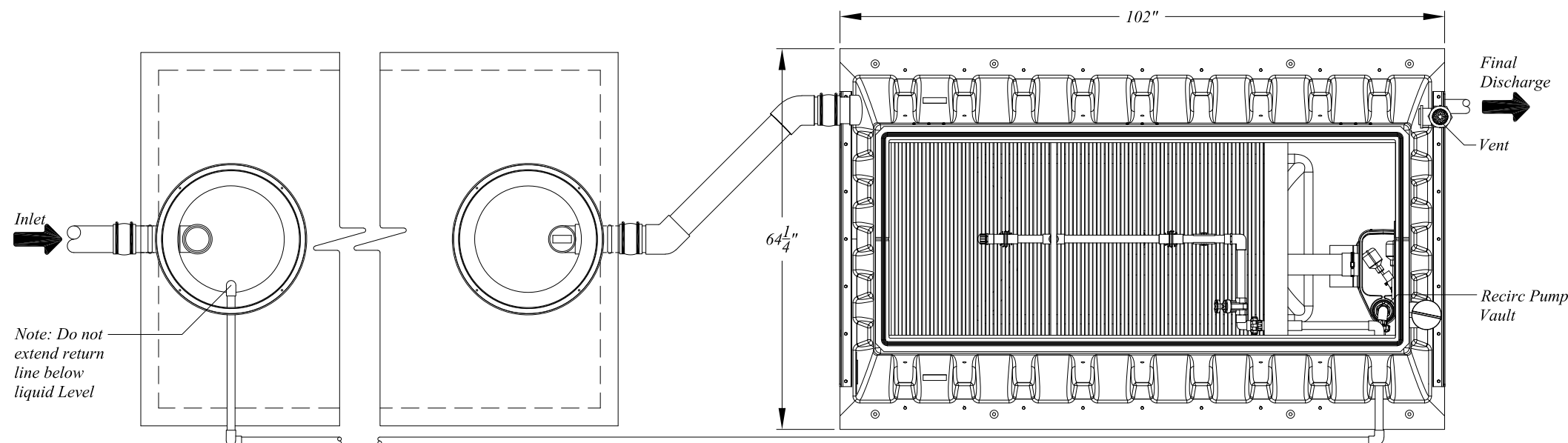


# AX20RT Treatment System - Gravity Discharge

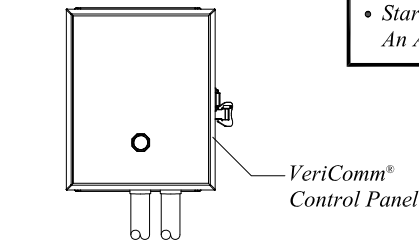
## Design and Installation Notes

- For Expected Flows 4 Bedrooms or less
- Installation To Be Performed By An AdvanTex Trained Installer Only
- Start-up And Service To Be Performed By An AdvanTex Trained Service Provider

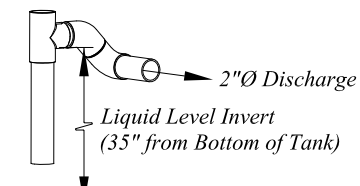


1000 gal. Primary Tank - Top View

AX20 Recirc. Tank - Top View

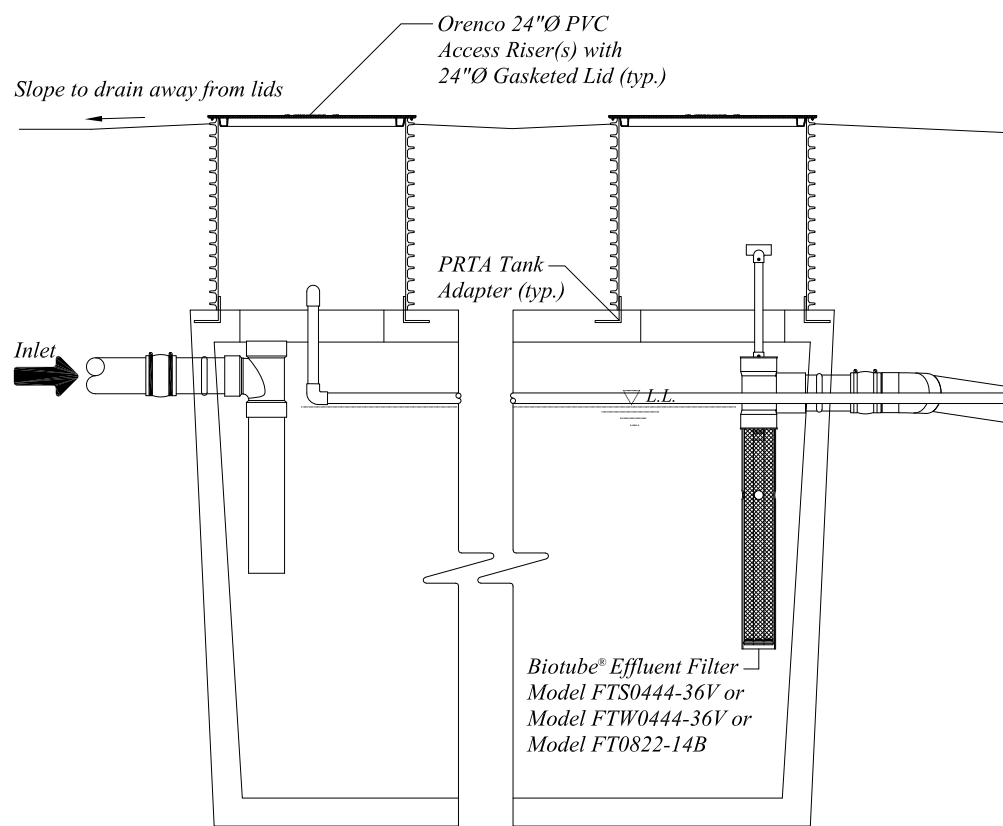


Control Panel Detail  
Not To Scale

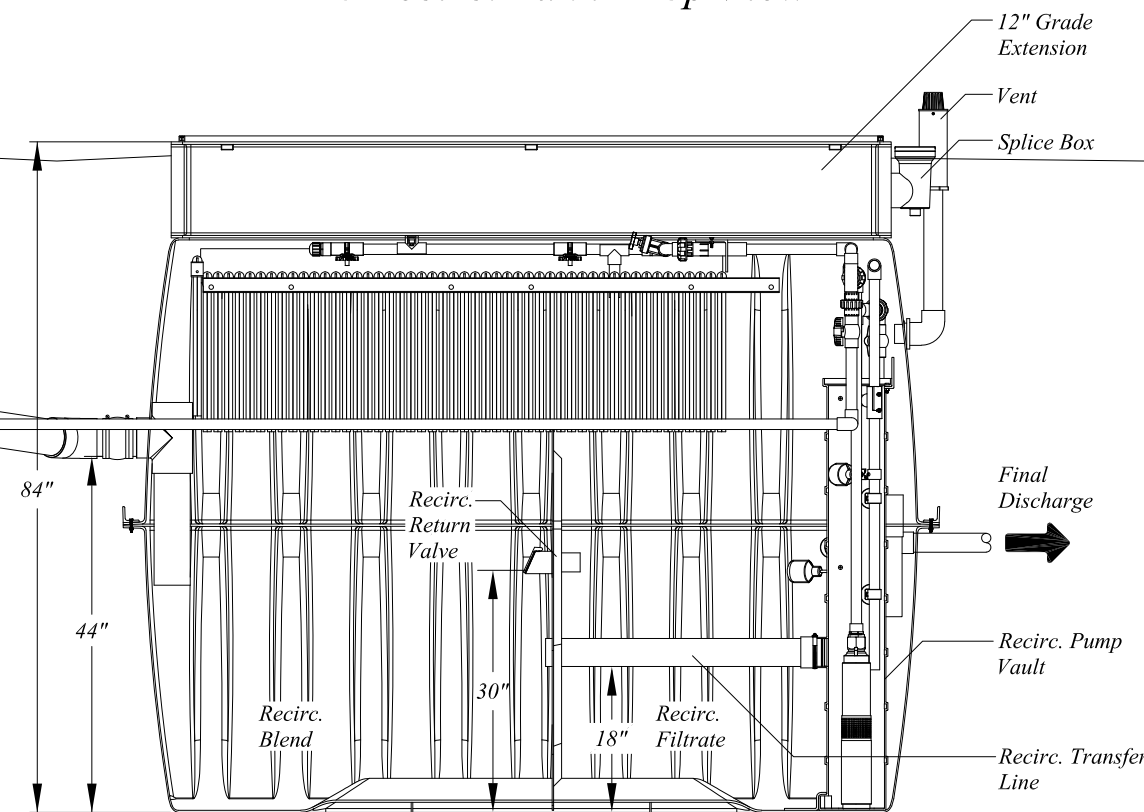


Discharge Detail  
Not To Scale

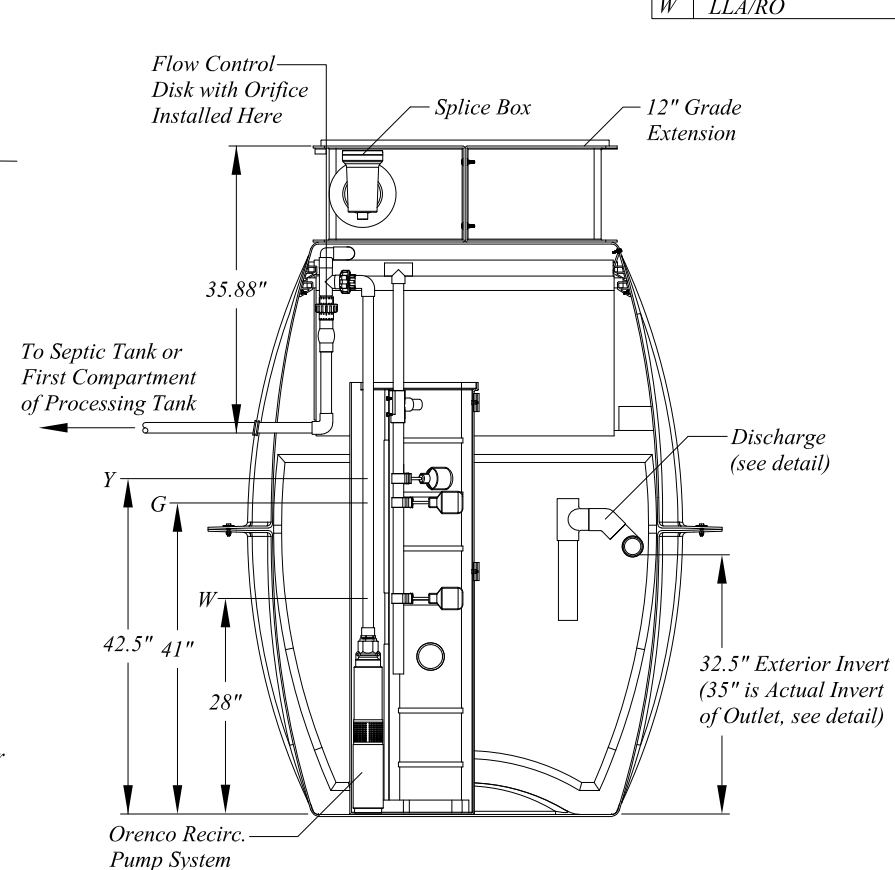
Float Functions	
Y	High Level Alarm
G	Override Timer ON/OFF
W	LLA/RO



1000 gal. Primary Tank - Side View



AX20 Recirc. Tank - Side View



Discharge Chamber - End View



© Orenco Systems, Inc.  
Portions or all of this Proposed System Configuration Drawing, as appropriate, may be reproduced and integrated into the site-specific layout and configuration of a system by its designer.

**Disclaimer:** This Proposed System Configuration Drawing is provided solely as a design aid and illustrates one possible configuration of a system that would comply with Orenco's design criteria for the requirements and/or specifications that have been communicated to Orenco (based on third-party standards testing protocols and performance reports, as applicable). Design decisions, including the actual layout and configuration of the system and its viability for the project, are at the sole discretion of the systems's designer.

AX20RT Mode 3A  
With 12" Grade Extension  
System Details

Drawn By: BAS	Scale: 1" = 2'-0"
Reviewed By: AY	Sheet: 1 OF 1
File Name: NDW-ATX-RT-STD-52.DWG	Rev: 1.0 Date: 3/22/2021