

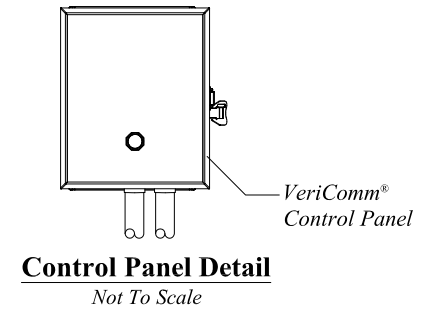
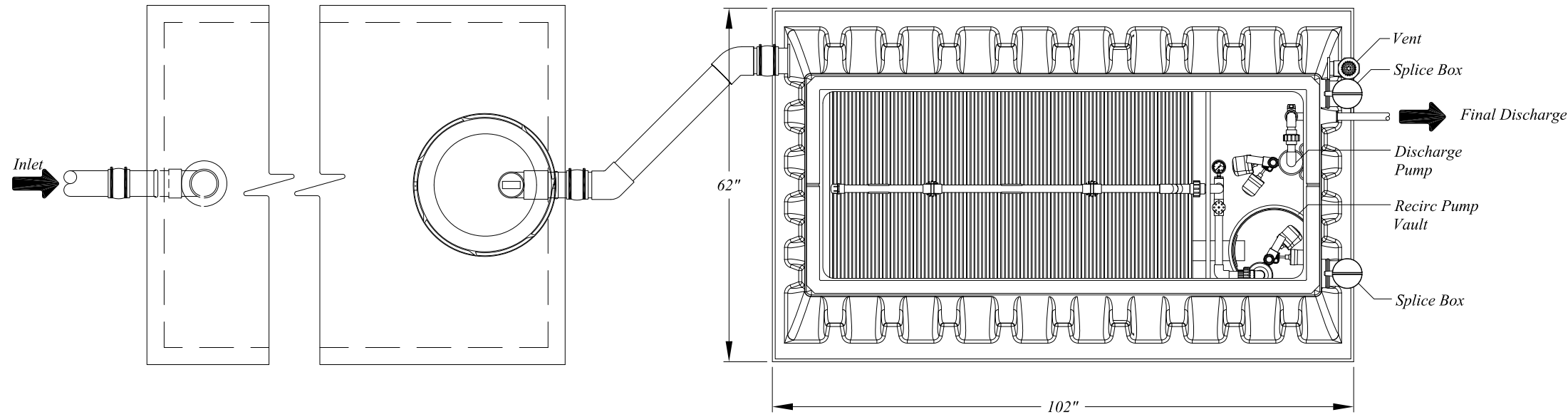
# AX20RT Treatment System - Pump Discharge

## Design Notes

For residential strength waste up to 4 bedrooms.

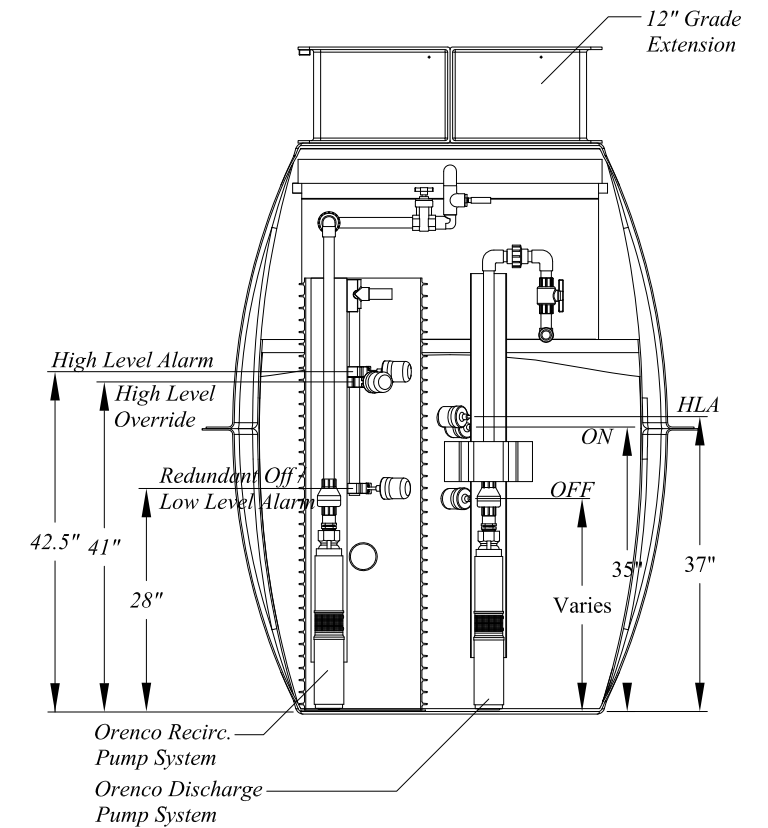
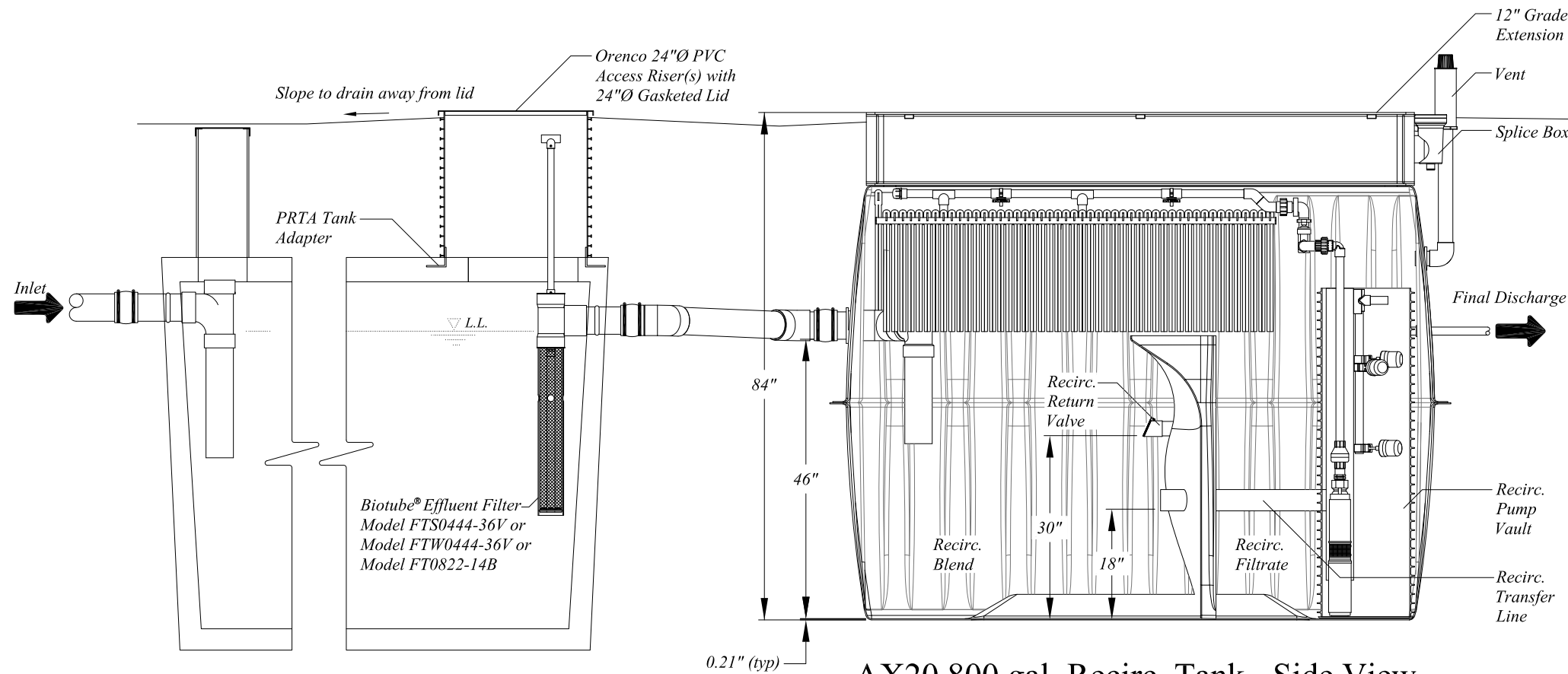
Installation to be performed by an AdvanTex Authorized Installer only.

Start-up and service to be performed by an AdvanTex Authorized Service Provider only.



1000 gal. Primary Tank - Top View

AX20 800 gal. Recirc. Tank - Top View



1000 gal. Primary Tank - Side View

AX20 800 gal. Recirc. Tank - Side View

Discharge Chamber - End View

Copyright © 2015  
Orengo Systems®, Inc.

### UNAUTHORIZED CHANGES & USES

Orengo has prepared these drawings for use by the design engineer. Orengo will not be responsible or liable for unauthorized changes to or uses of these drawings. All changes to these drawings must be made in writing and must be approved by the design engineer.

PRODUCT CONFIGURATION DRAWINGS

**Orengo**<sup>®</sup>  
Orengo Systems<sup>®</sup>, Incorporated

Drawn By: BEN SMITH

Drawn For:

Project: AX20RT Mode 1B  
with 12" Grade Extension

Title: NDW-ATX-RT-STD-31

Scale: 1" = 2'-0"

Sheet: 1 OF 1

Rev: A-01 Date: 7/23/2015