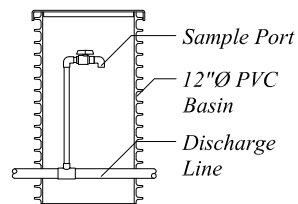
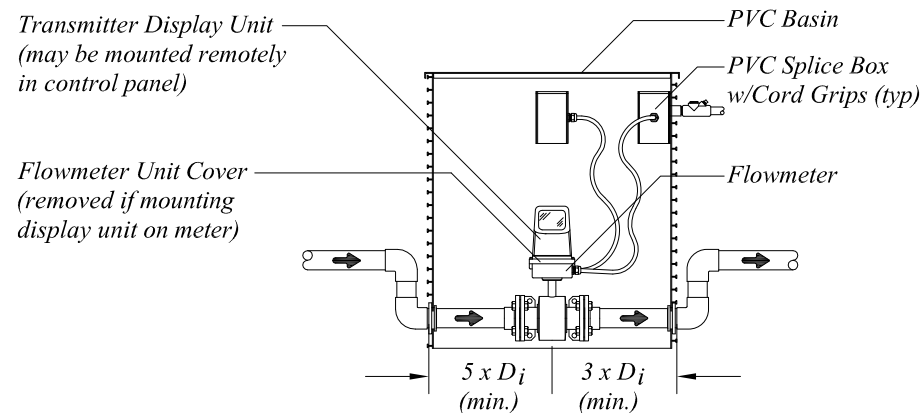


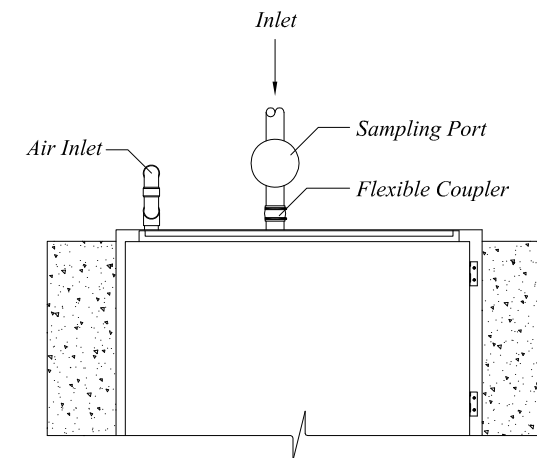
Recirc. Float Settings (Example)
Scale: 1" = 4'-0"



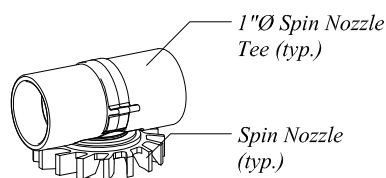
Pressurized Sample Port Detail
Not To Scale



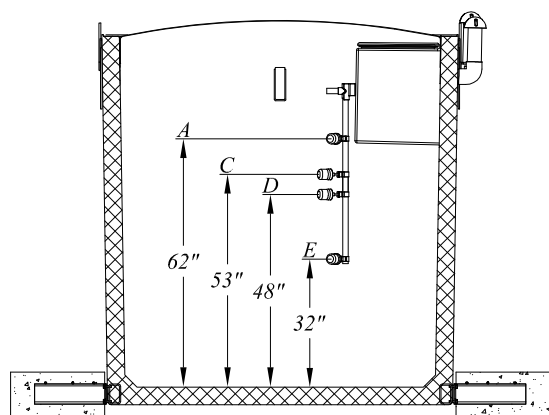
Flowmeter Detail
Not To Scale



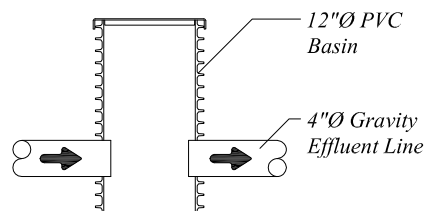
Typical Inlet Connection Detail
Not To Scale



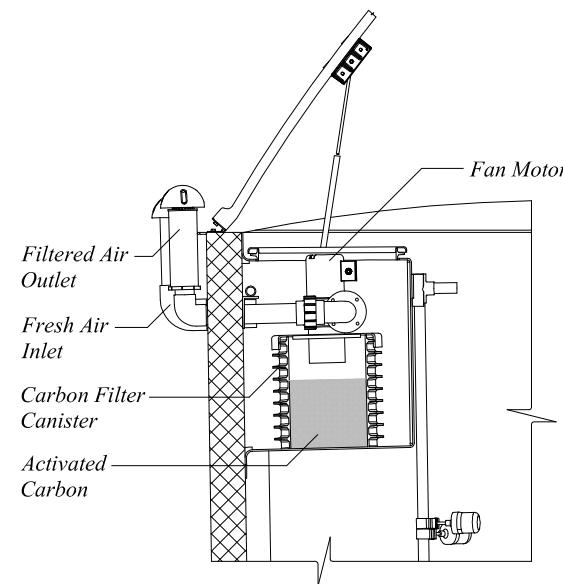
Spin Nozzle Detail
Not To Scale



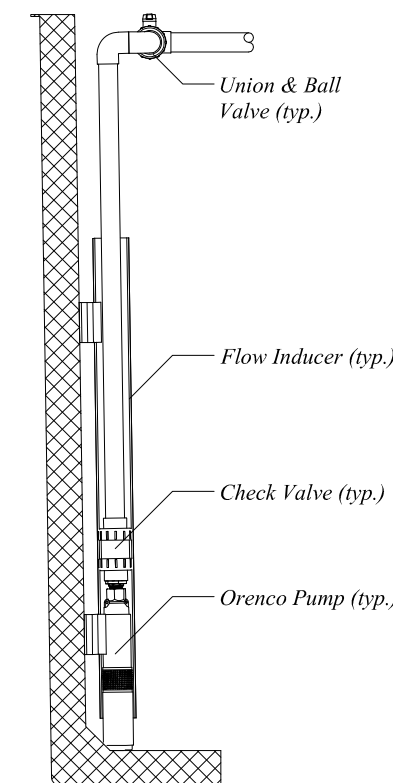
Discharge Float Settings (Example)
Scale: 1" = 4'-0"



Gravity Sample Port Detail
Not To Scale



Vent Fan Enclosure Detail
Not To Scale



Typical Pump Detail
Not To Scale

Float Functions

A	High Level Alarm / Lag Enable
B	Override Timer
C	Pump ON
D	Pump OFF
E	Redundant Off / Low Level Alarm

Copyright © 2012
Orenco Systems, Inc.

UNAUTHORIZED CHANGES & USES
Orenco has prepared these drawings for use by the design engineer. Orenco will not be responsible or liable for unauthorized changes to or uses of these drawings. All changes to these drawings must be made in writing and must be approved by the design engineer.

PRODUCT CONFIGURATION DRAWINGS



Drawn By: BEN SMITH
Drawn For:

Project: AdvanTex AX-MAX
Title: Misc. Details

Scale: AS SHOWN
Sheet: 1 OF 1
Rev: 1.0 Date: 5/30/2012