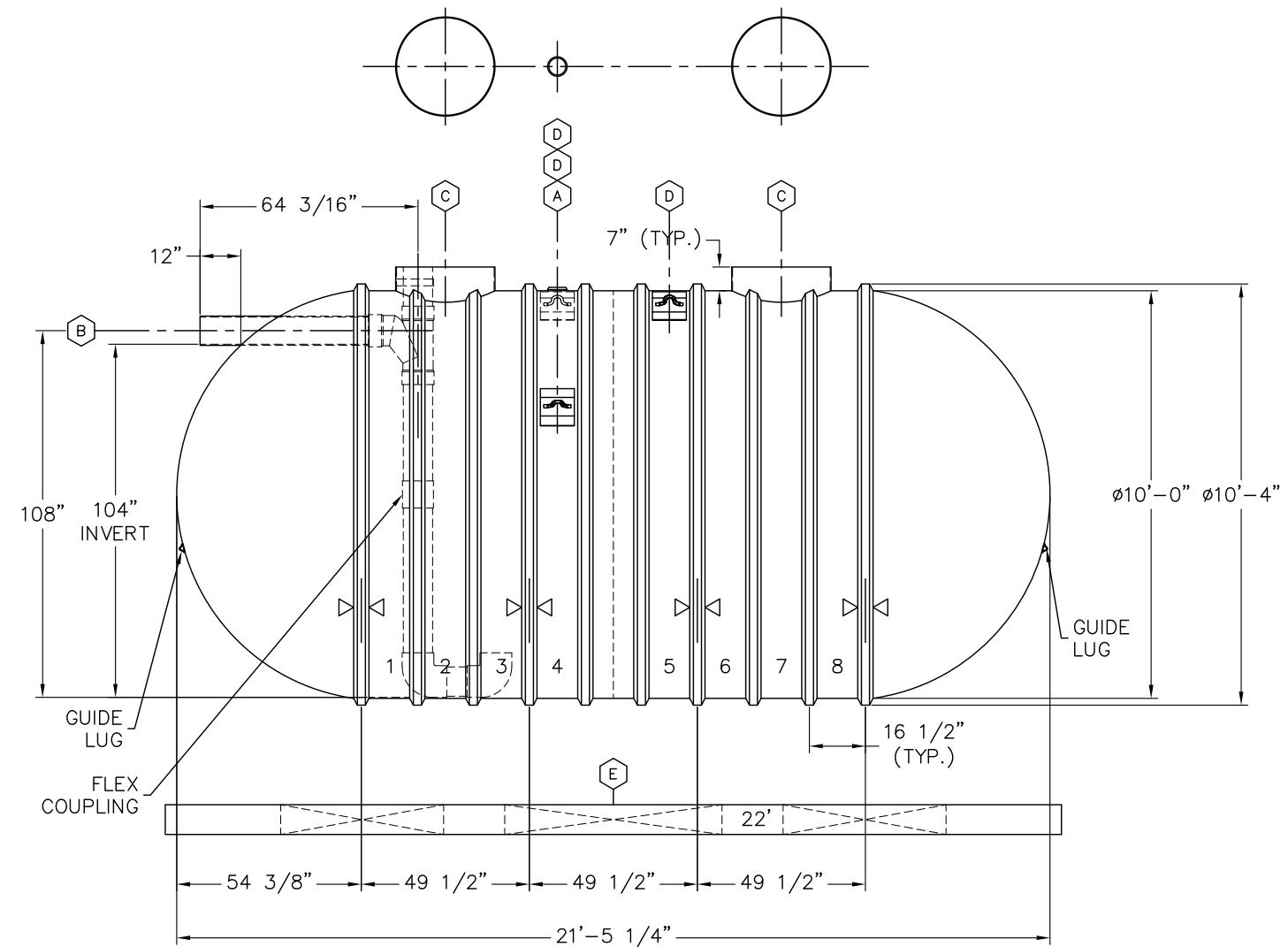


NOTES:

1. INVERT DIMENSION FROM TANK I.D.
2. ESTIMATED TANK WEIGHT: 4,500 lbs.



ITEM	QTY	DESCRIPTION
A	1	4"NPT SERVICE FITTING
B	1	8"DIA SCH 40 PVC INLET PIPE, INTERNAL SANITARY TEE & PIPES WITH SMOOTHING INLET & FLEXIBLE COUPLING
C	2	RISER PIPE, 29 3/8"O.D., FOR 30"(NOMINAL) ACCESS OPENING
D	3	LIFTING LUG (12" x 10") 22.5", 22.5", 45"
E	2	22' PREFABRICATED CONCRETE DEADMEN
△	4	HOLD DOWN STRAP LOCATION

00		REVISION DESCRIPTION			
DRN	DATE	CHK'D	DATE	APPR'D	DATE
XERXES BY SHAWCOR					
DRN	LJB	DATE	3-3-21	TITLE	10' DIA SW
CHK'D	PWM	DATE	3-3-21		CAP. 10,000 GALLONS
APPR'D	-	DATE	-		BIO SOLUTIONS
SALES MANAGER		DR. SIZE	DR. NUMBER	REV	
DAVID HOLMES		B	668-368	00	
		SCALE	N.T.S.	SHT	1 OF 1
INDUSTRY TYPE: M204 WATER COLLECTION AND CONSERVATION					