

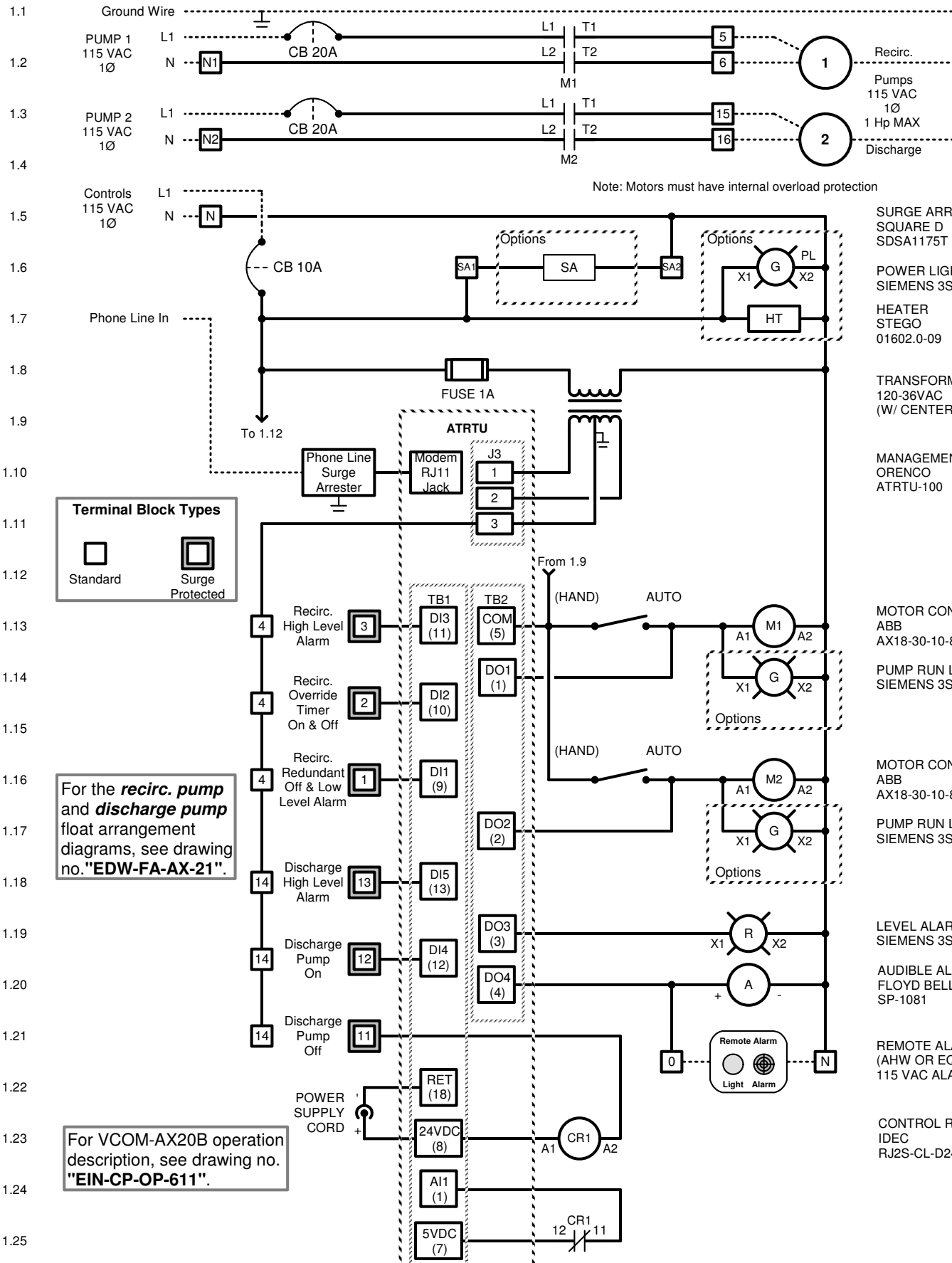
Control Panel Wiring Diagram

AdvanTex® Treatment Systems

Model VCOM-AX20B1

From Main Power Panel
115 VAC, 1 Phase, 60 Hz.
Main disconnect
provided by others.



— = Factory Wire
- - - = Field Wire



Note: Motors must have internal overload protection

- SURGE ARRESTER
SQUARE D
SDSA1175T
- POWER LIGHT
SIEMENS 3SU1 SERIES
- HEATER
STEGO
01602.0-09
- TRANSFORMER
120-36VAC
(W/ CENTER TAP)
- MANAGEMENT SYSTEM
ORENCO
ATRTU-100

Terminal Block Types

Standard  Surge Protected 

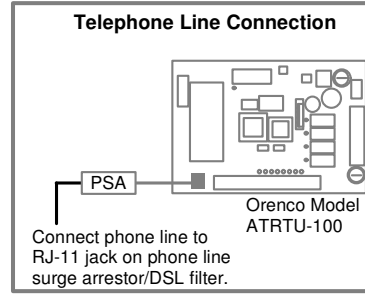
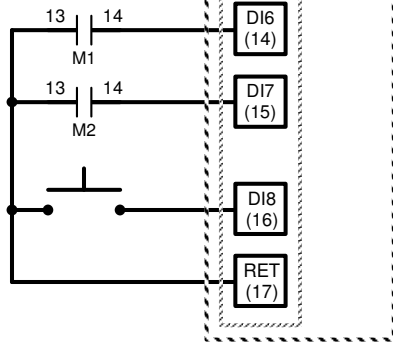
For the **recirc. pump** and **discharge pump** float arrangement diagrams, see drawing no. "EDW-FA-AX-21".

For VCOM-AX20B operation description, see drawing no. "EIN-CP-OP-611".

- MOTOR CONTACTOR
ABB
AX18-30-10-84
- PUMP RUN LIGHT
SIEMENS 3SU1 SERIES
- MOTOR CONTACTOR
ABB
AX18-30-10-84
- PUMP RUN LIGHT
SIEMENS 3SU1 SERIES
- LEVEL ALARM LIGHT
SIEMENS 3SU1 SERIES
- AUDIBLE ALARM
FLOYD BELL
SP-1081
- REMOTE ALARM
(AHW OR EQUIV.
115 VAC ALARM)
- CONTROL RELAY
IDEC
RJ2S-CL-D24

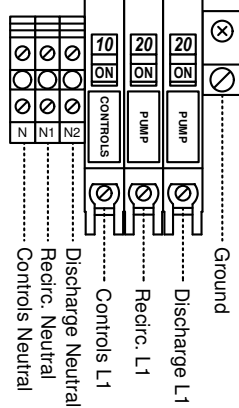
2.1
2.2
2.3
2.4
2.5
2.6
2.7
2.8
2.9
2.10
2.11
2.12
2.13
2.14
2.15
2.16
2.17
2.18
2.19
2.20
2.21
2.22
2.23
2.24
2.25
2.26
2.27

PUSH TO SILENCE



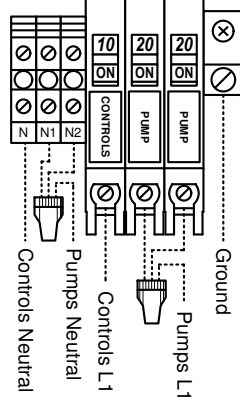
Power Wiring Options

Three Circuits



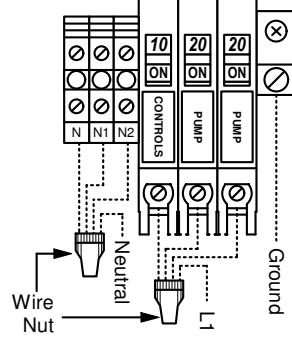
Factory default.
Wire as shown.

Two Circuits



Use one wire nut to connect each pump circuit breaker together with the incoming L1 power line. Use another wire nut to connect the neutral block of each pump with the incoming neutral line.

One Circuit



Use one wire nut to connect each pump circuit breaker together with the controls breaker and with the incoming L1 power line. Use another wire nut to connect the neutral block of each pump with the controls neutral block and with the incoming neutral line.