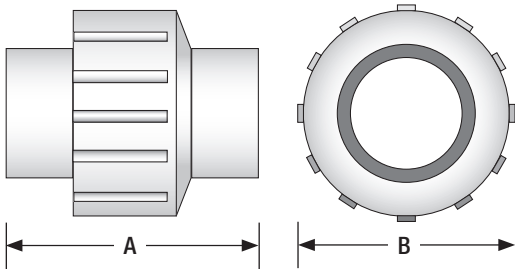


Unions and Valves



U

Fitting type:
S = slip
T = threaded

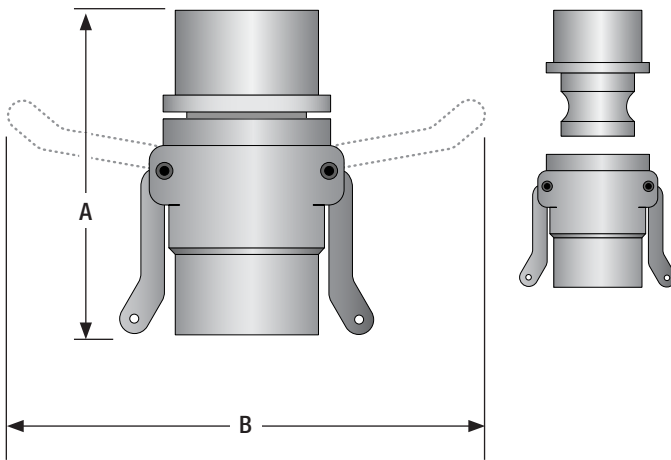
Valve diameter:
0500 = 1/2"
0750 = 3/4"
1000 = 1"
1250 = 1 1/4"
1500 = 1 1/2"
2000 = 2"
3000 = 3"
4000 = 4"

Union

PVC Unions, Schedule 80 (U)

PVC unions are used as a disconnection point in piping assemblies. Unions are made of Schedule 80 PVC, with EPDM O-rings. Available with slip (3-inch and 4-inch versions only) or threaded connections.

IPS pipe dia., in.	A in. (mm)	B in. (mm)	psi @ 73° F (bar @ 23° C)
1/2 in. (S)	2.09 (53)	1.94 (49)	235 (16.2)
1/2 in. (T)	1.94 (49)	1.94 (49)	235 (16.2)
3/4 in.	2.38 (60)	2.38 (60)	235 (16.2)
1 in.	2.69 (68)	2.66 (68)	235 (16.2)
1 1/4 in.	2.94 (74)	3.09 (78)	235 (16.2)
1 1/2 in.	3.25 (82)	3.59 (91)	235 (16.2)
2 in.	3.56 (90)	4.31 (109)	235 (16.2)
3 in.	4.31 (109)	6.19 (157)	235 (16.2)
4 in.	5.19 (131)	7.75 (197)	235 (16.2)



Q **S**

Slip fitting

Union diameter:
1000 = 1"
1250 = 1 1/4"
1500 = 1 1/2"
2000 = 2"

Quick-disconnect union

PVC Unions, Quick-Disconnect (Q)

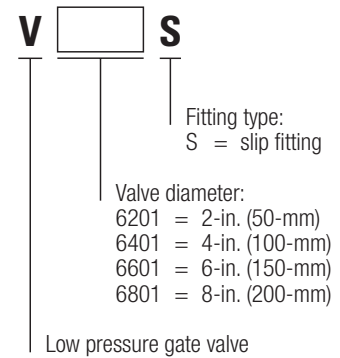
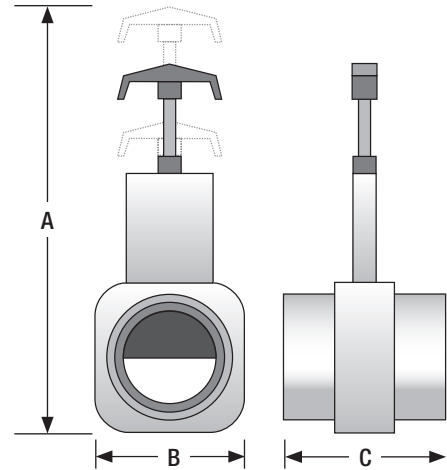
PVC quick-disconnect unions are used as a fast, non-binding disconnection point in piping assemblies. Available in slip connection only.

IPS pipe dia., in.	A in. (mm)	B in. (mm)	psi @ 73° F (bar @ 23° C)
1 in.	4.50 (114)	4.50 (114)	150 (10.3)
1 1/4 in.	4.75 (121)	7.00 (178)	150 (10.3)
1 1/2 in.	5.00 (127)	7.50 (191)	150 (10.3)
2 in.	5.25 (133)	8.00 (203)	150 (10.3)

PVC Gate Valves, Low-Pressure (V)

PVC sliding gate valves are used as an inexpensive valve for quick shutoff. They are constructed of a PVC body per ASTM D-1784, with a stainless steel paddle and shaft and Santoprene® seals. All sizes are available in slip connection only.

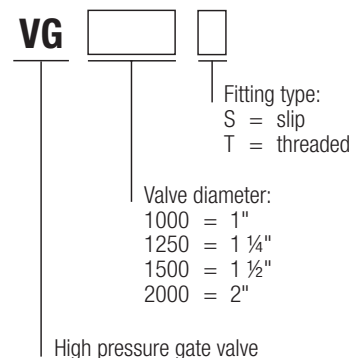
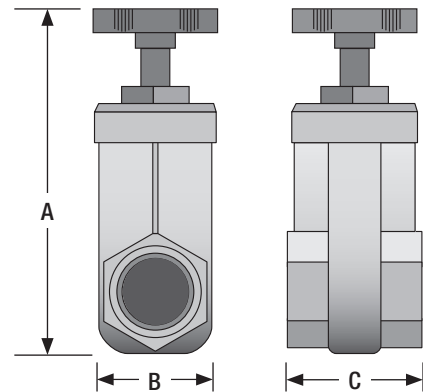
IPS pipe dia., in.	A in. (mm)	B in. (mm)	C in. (mm)	psi @ 73° F (bar @ 23° C)
4 in.	18.0 (450)	6.6 (165)	5.2 (130)	15 (1.0)
6 in.	31.1 (778)	11.0 (275)	11.1 (278)	15 (1.0)
8 in.	31.1 (778)	11.0 (275)	13.8 (345)	15 (1.0)

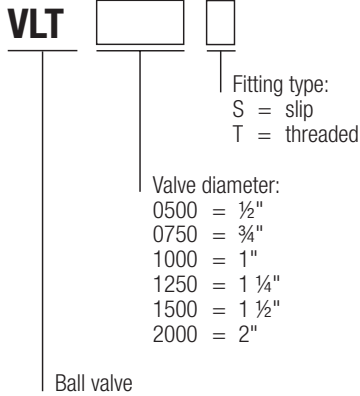
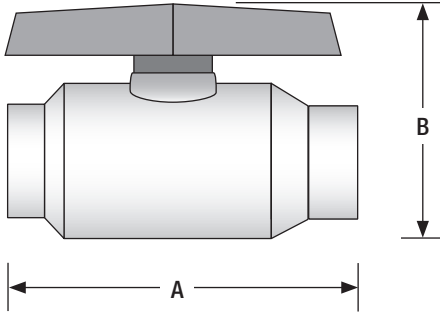


PVC Gate Valves, High-Pressure (VG)

PVC high-pressure gate valves have a non-rising stem and a screw-in, faucet-type handle. They are approved for use in controlling flows and where throttling capabilities are desired. These valves are constructed of Schedule 40 Hi-Impact PVC Type I per ASTM D-1784, with polypropylene paddles. All sizes are available with slip or threaded connections.

IPS pipe dia., in.	A in. (mm)	B in. (mm)	C in. (mm)	psi @ 73° F (bar @ 23° C)
1 in.	5.41 (137)	2.94 (74)	3.25 (82)	200 (13.8)
1¼ in.	8.06 (204)	3.94 (100)	3.56 (90)	200 (13.8)
1½ in.	8.06 (204)	3.94 (100)	3.75 (95)	200 (13.8)
2 in.	8.56 (217)	4.43 (112)	4.94 (125)	200 (13.8)

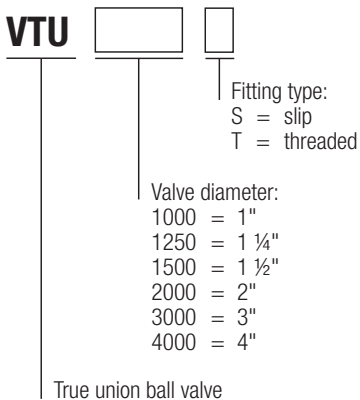
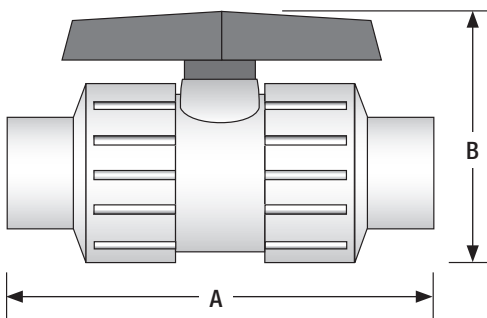




PVC Ball Valves (VLT)

PVC ball valves are used for shutting off flow to a distribution line. They are constructed of Schedule 40 PVC Type I per ASTM D-1784, with EPDM O-rings. The stem seal is pre-loaded for long life. All sizes are available with either slip or threaded connections.

IPS pipe dia., in.	A in. (mm)	B in. (mm)	psi @ 73° F (bar @ 23° C)
1/2 in.	2.63 (66)	2.28 (57)	150 (10.3)
3/4 in.	2.94 (74)	2.75 (69)	150 (10.3)
1 in.	3.44 (87)	3.25 (82)	150 (10.3)
1 1/4 in.	3.88 (98)	3.94 (100)	150 (10.3)
1 1/2 in.	4.69 (119)	4.50 (114)	150 (10.3)
2 in.	5.13 (130)	5.41 (137)	150 (10.3)



PVC True Union Ball Valves (VTU)

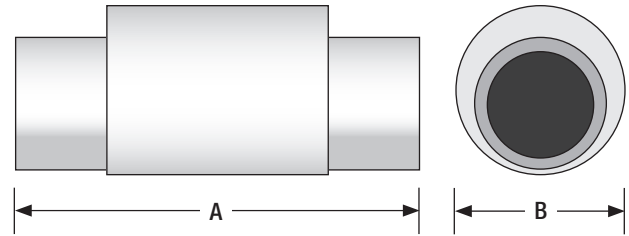
True union ball valves combine the features of a PVC union and ball valve into one component. They are constructed of Schedule 80 PVC Type I per ASTM D-1784, with EPDM O-rings. Slip and threaded connections are included with 1-inch through 4-inch sizes.

IPS pipe dia., in.	A in. (mm)	B in. (mm)	psi @ 73° F (bar @ 23° C)
1 in.	5.13 (130)	3.63 (92)	235 (16.2)
1 1/4 in.	5.75 (146)	4.34 (110)	235 (16.2)
1 1/2 in.	6.25 (158)	4.81 (122)	235 (16.2)
2 in.	7.88 (200)	6.09 (154)	235 (16.2)
3 in.	10.69 (271)	8.97 (227)	150 (10.3)
4 in.	11.88 (301)	10.56 (268)	150 (10.3)

PVC Check Valves (KSC)

PVC check valves prevent backflow in a system, providing minimal resistance to normal flow but only requiring 50 psi back pressure for complete closure.

Check valves are made from Schedule 40 Type I PVC per ASTM D-1784, with an EPDM swing gate. All sizes are available with slip or threaded connections.



IPS pipe dia., in.	A in. (mm)	B in. (mm)	psi @ 73° F (bar @ 23° C)
1 in.	4.69 (119)	2.63 (66)	150 (10.3)
1¼ in.	5.50 (139)	3.38 (85)	150 (10.3)
1½ in.	5.63 (143)	3.38 (85)	150 (10.3)
2 in.	6.06 (153)	4.25 (108)	150 (10.3)
3 in.	8.69 (220)	5.75 (146)	150 (10.3)
4 in.	9.94 (252)	6.38 (162)	150 (10.3)

