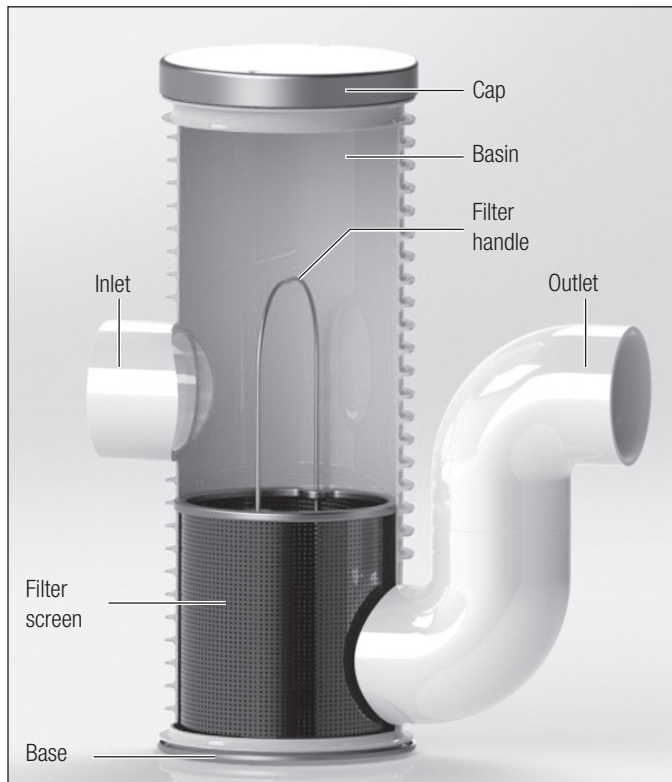


# Stormwater Catch Basins

## Applications

Orenco<sup>®</sup>'s Stormwater Catch Basin (SCB) is a cost-effective alternative to concrete or steel catch basins. It is ideal for jurisdictions that require filtration of stormwater before it is released onsite or to a stormwater collection system. It is also well-suited for use in rainwater collection systems. The SCB is designed to screen materials as small as 1/8-inch (3-mm) diameter out of stormwater.



SCB1236-6L Stormwater Catch Basin with level inlet/outlet

## General

Orenco's Stormwater Catch Basin (SCB) is based on Orenco's proven Screened Pump Vault\* technology and materials. Stormwater flows into the basin vault and is screened through the 1/8-inch (3-mm) filter mesh before flowing out through the basin outlet. The filter has a nominal open area of 50%.

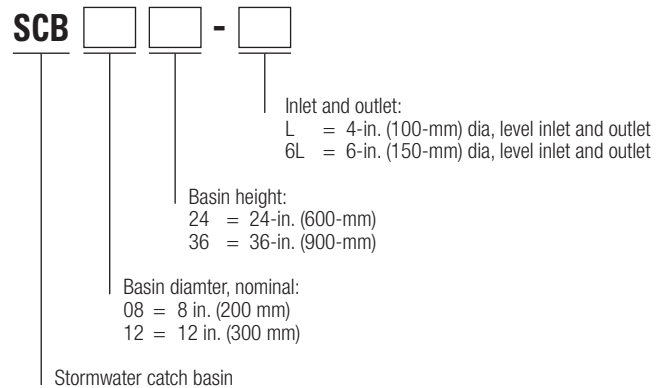
The inlet and outlet couplings on the SCB1236-6L accommodate 6-inch IPS pipe; the inlet and outlet couplings on all other models accommodate 4-inch IPS pipe. All SCBs use durable Orenco fiberglass lids and bases. Additionally, the SCB1236-L and SCB1236-6L come with stainless steel lid screws for enhanced security.

SCBs come with filters that are easy to remove and clean, simplifying maintenance.

## Standard Models

SCB0824, SCB0836, SCB1224-L, SCB1236-L, SCB1236-6L

## Product Code Diagram



## Materials of Construction

Cap and base	Fiberglass
Cap screws	Stainless steel (SCB1236-L and -6L only)
Basin	PVC
Inlet and outlet	Schedule 40 PVC
Filter ring and base	Polyurethane
Filter screen	Polyethylene, 1/8-inch (3-mm) screen mesh

\*Orenco's screened pump vault technology is protected under US Patent #4,439,323

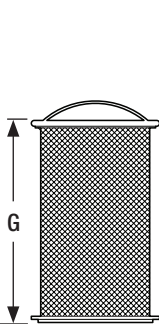
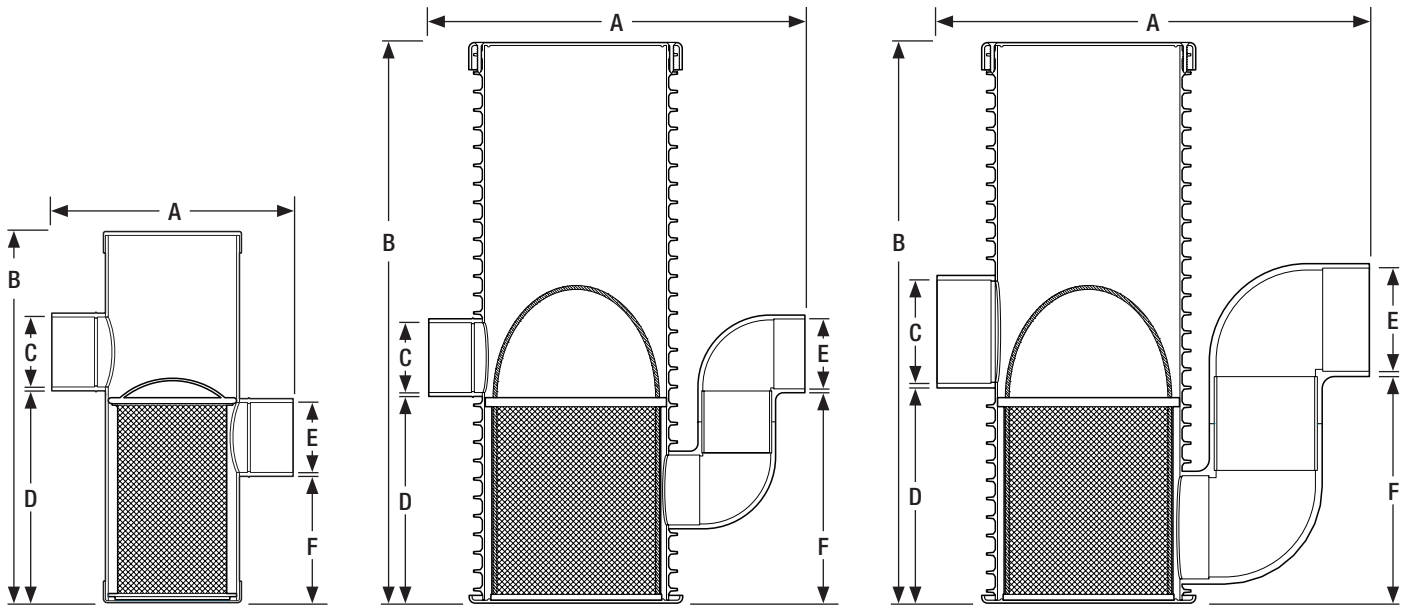
## Specifications

### Dimensions, in. (mm)

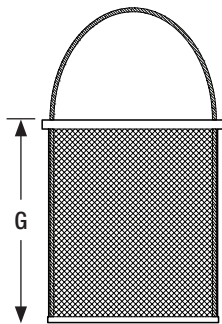
Model	SCB0824	SCB0836	SCB1236-L	SCB1236-6L
A	15½ (394)	15½ (394)	21½ (546)	21½ (546)
B	24 (610)	36 (915)	36 (915)	36 (915)
C	4½ (114)	4½ (114)	4½ (114)	6⅞ (168)
D	13½ (343)	13½ (343)	13⅝ (340)	15 (380)
E	4½ (114)	4½ (114)	4½ (114)	6⅞ (168)
F	8 (203)	8 (203)	13⅝ (340)	15 (380)
G	13 (330)	13 (330)	13 (330)	13 (330)

### Flow Rates, gpm (L/sec)

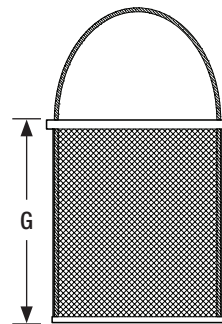
Model	SCB0824	SCB0836	SCB1236-L	SCB1236-6L
Top of Inlet	130 (8.2)	130 (8.2)	40 (2.5)	115 (7.3)
Top of Inlet + 4 in. (100 mm)	170 (10.7)	170 (10.7)	n/a	n/a
Top of Inlet + 6 in. (150 mm)	n/a	n/a	100 (6.3)	190 (12.0)
Top of Inlet + 12 in. (300 mm)	n/a	n/a	140 (8.8)	n/a



Models SBC0824, SCB0836,  
SCB1224, SCB1236



Model SBC1236-L



Model SCB1236-6L