

PFSW Submersible Sewage Pumps

Applications

PFSW Sewage Pumps are typically used to transport sewage — including solids up to 2 inches (50 mm) in diameter — from pump basins to primary tankage. Their corrosion-resistant construction makes them highly durable in wastewater applications. The PFSW50XX and PFSW15012 are CSA and UL listed, the PFSW10012 is CSA listed only. Manufactured by Franklin Electric.



PFSW5011

PFSW15012



Powered by

Franklin Electric

Features/Specifications

To specify this product, require the following:

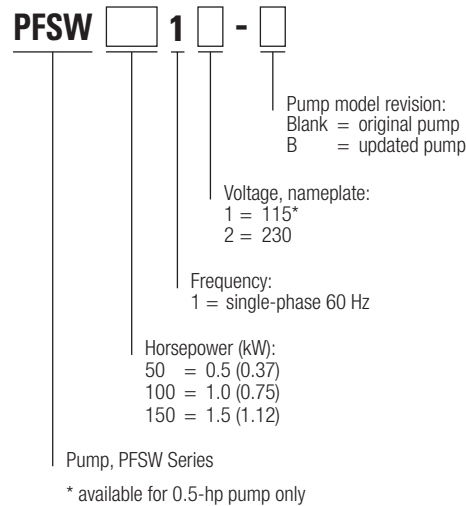
- Ability to handle sewage including solids up to 2 inches (50 mm) in dia.
- Cast iron pump housing and cover with epoxy coating for corrosion resistance
- Oil-filled motor housing for lifetime lubrication and rapid heat dissipation
- Stainless steel screws, bolts, handle, and seal assembly
- Mechanical seals made of corrosion-resistant materials including nitrile and stainless steel with carbon and ceramic faces
- Thermal overload protection for motor
- Rated for continuous duty
- Three-year warranty from date of manufacture

Standard Models

PFSW5011, PFSW5012, PFSW10012-B, PFSW15012

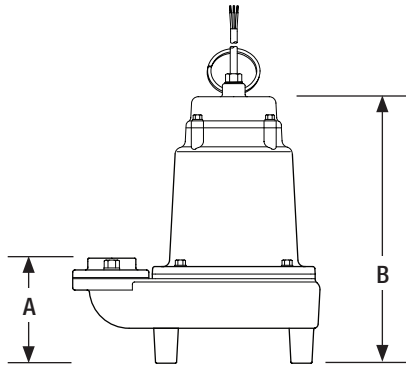
(Additional configurations available.)

Product Code Diagram

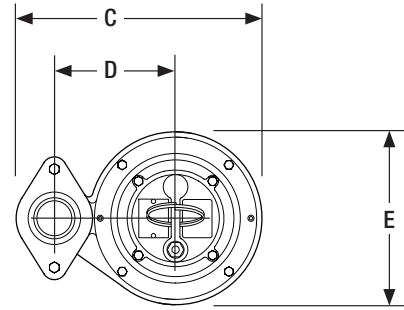


Materials of Construction

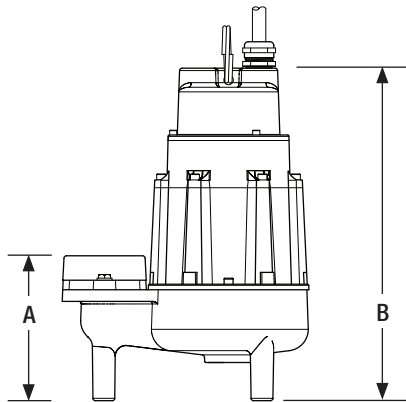
	PFSW50XX	PFSW10012-B	PFSW15012
Motor Housing	Epoxy-coated cast iron	Epoxy-coated cast iron	Epoxy-coated cast iron
Impeller	Cast iron	Cast iron	Brass
Volute	Epoxy-coated cast iron	Epoxy-coated cast iron	Epoxy-coated cast iron
Power cord	16/3, STW	16/3, STW	14/3, SOW
Mechanical shaft seal	Nitrile and stainless steel parts, carbon and ceramic faces	Nitrile and stainless steel parts, carbon and ceramic faces	Nitrile and stainless steel parts, carbon and ceramic faces
Bearings	Ball	Ball	Ball
Shaft	Stainless steel	Stainless steel	Stainless steel
Fasteners	Stainless steel	Stainless steel	Stainless steel



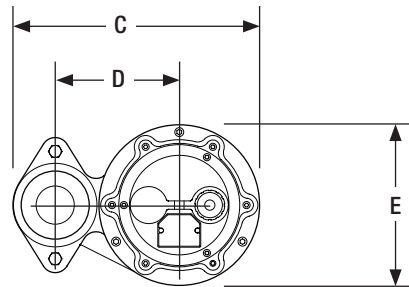
PFSW5011, side view



PFSW5011, top view



PFSW15012, side view



PFSW15012, top view

Specifications

Dimensions, in. (mm)	PFSW5011	PFSW5012	PFSW10012-B	PFSW15012
A	6.8 (173)	6.8 (173)	6.4 (162)	7.6 (193)
B	17.2 (437)	17.2 (437)	15.1 (384)	18.4 (467)
C	14.1 (357)	14.1 (357)	12.3 (311)	12.9 (328)
D	6.9 (176)	6.9 (176)	6.9 (175)	6.5 (165)
E	9.9 (251)	9.9 (251)	9.4 (238)	8.4 (213)
Discharge size*	2-in. FNPT	2-in. FNPT	2-in. FNPT	3-in. FNPT
Cord length, ft (m)	20 (6.1)	20 (6.1)	20 (6.1)	20 (6.1)
Weight, lb (kg)	87 (39.5)	88 (39.9)	62 (28.1)	96 (43.5)
Performance				
Horsepower (kW)	0.5 (0.37)	0.5 (0.37)	1.0 (0.75)	1.5 (1.12)
Nameplate voltage	115	230	230	230
Full load amps	11.6	4.6	9.8	15.5
Minimum liquid level, in. (mm)	17.5 (450)	17.5 (450)	15.1 (384)	18.4 (470)
Maximum starts per day	100	100	100	100
Minimum off-time, minutes	1	1	1	1
Impeller type	Two vane, non-clog	Two vane, non-clog	Non-clog	Non-clog

*Discharge is female NPT threaded, U.S. nominal size, to accommodate Orenco® discharge hose and valve assemblies. Consult your Orenco Distributor about fittings to connect discharge assemblies to metric-sized piping.

Using a Pump Curve

A *pump curve* helps you determine the best pump for your system. Pump curves show the relationship between flow (gpm or L/sec) and pressure (total dynamic head, or TDH), providing a graphical representation of a pump's optimal performance range. At low flow rates, TDH varies from pump to pump, so it is represented as a dashed line in the pump curves. For the most accurate pump specification, use Orenco's PumpSelect™ software.

