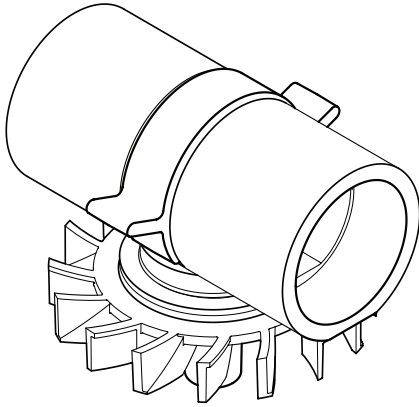
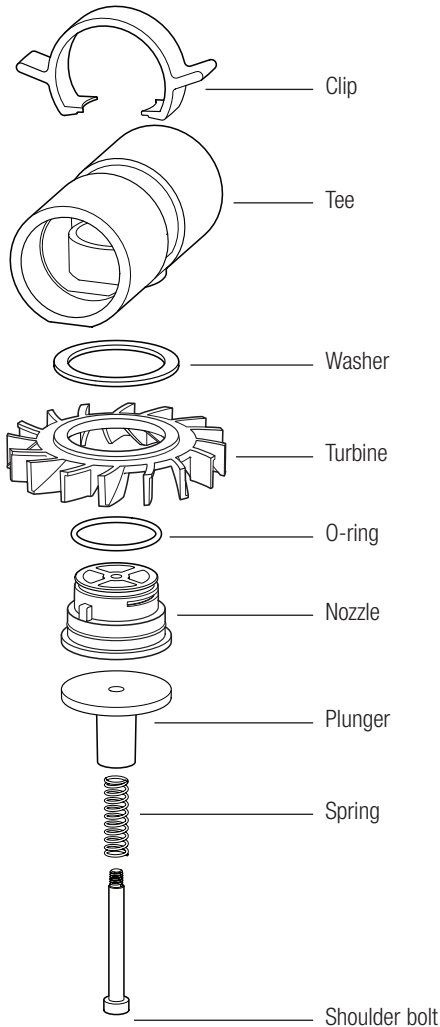


# Orenco® Spin Nozzle



Orenco® Spin Nozzle



Orenco Spin Nozzle Components

## Applications\*

Orenco Spin Nozzles produce a square-shaped spray pattern to provide even dispersal of effluent across textile media in AdvanTex® Treatment Systems. They are easy to maintain and clean.

## Standard Models

SN-100

## Product Code Diagram

### SN - 100

Orenco Spin Nozzle  
 Nozzle diameter:  
 100 = 1-inch (25-mm)

## Materials of Construction

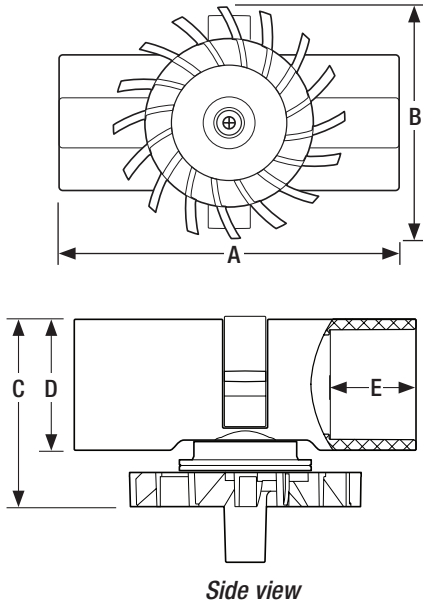
Clip	Acetal
Tee	ABS
Washer	Acetal
Turbine	Acetal
O-ring	Buna-N
Nozzle	Acetal
Plunger	Acetal
Spring	316 stainless steel
Shoulder bolt	316 stainless steel

\* Covered under US patent #7,261,248. Please contact Orenco for information on additional suitable applications for this product.

## Specifications

Dimensions, in. (mm)	
A	4.06 (103)
B	2.75 (70)
C	2.18 (55)
D	1.56 (39)*
E	1.00 (25)

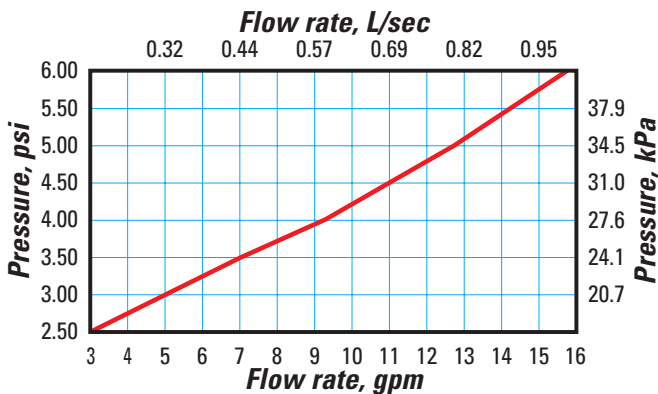
\* Fits 1-in. nominal (25-mm) diameter IPS pipe



## Flow Characteristics

### Pressure vs. Flow Rate

Pressure psi (kPa)	Flow rate, avg gpm (L/sec)	Flow range gpm (L/sec)
2.5 (17.2)	3.0 (0.19)	n/a
3.0 (20.7)	5.0 (0.32)	4.5-5.5 (0.28-0.35)
3.5 (24.1)	7.0 (0.44)	6.5-7.5 (0.41-0.47)
4.0 (27.6)	9.3 (0.59)	9.0-9.5 (0.57-0.60)
5.0 (34.5)	12.7 (0.80)	12-13 (0.76-0.82)
6.0 (41.4)	15.7 (0.99)	15-16 (0.95-1.00)



## Nozzle Coverage

The graphs below provide approximate dimensions for the square spray pattern produced by the spin nozzle, based on the distance from the bottom of the nozzle turbine to the surface of the textile as well as spin nozzle pressure.

(Graphics not to scale.)

