

# Panel Wiring Diagram Model MVP-DAX2



Oreco Systems®  
Incorporated

814 AIRWAY AVENUE

SUTHERLIN, OREGON

97479-9012

TELEPHONE:

(541) 459-4449

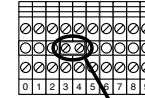
FACSIMILE:

(541) 459-2884

## Key

- = Factory Wire
  - - - = Field Wire
  - · - · - = Alternate Field Wire
  - A = Audio Alarm, 115 VAC
  - AL = Alarm Light
  - AS = Audio Silence Switch
  - CCB = Controls Circuit Breaker
  - Logo = Logic Module
  - M = Motor Contactor
  - PCB = Pump Circuit Breaker
  - TL = Terminal Link
- \*Options**
- HT = Heater
  - PL = Power Light
  - PRL = Pump Run Light

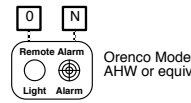
### Removal of Alarm / Lag Pump On Link Rail



Terminal Link Rail

Removal of the terminal link rail will separate the high level alarm and lag pump on functions.

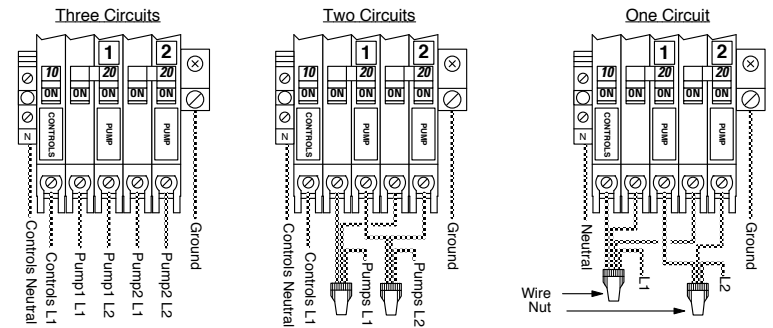
### Remote Alarm Connections



Note: 115VAC signal is present during alarm conditions.

For MVP-DAX operation description, see drawing no. "EIN-CP-OP-150".

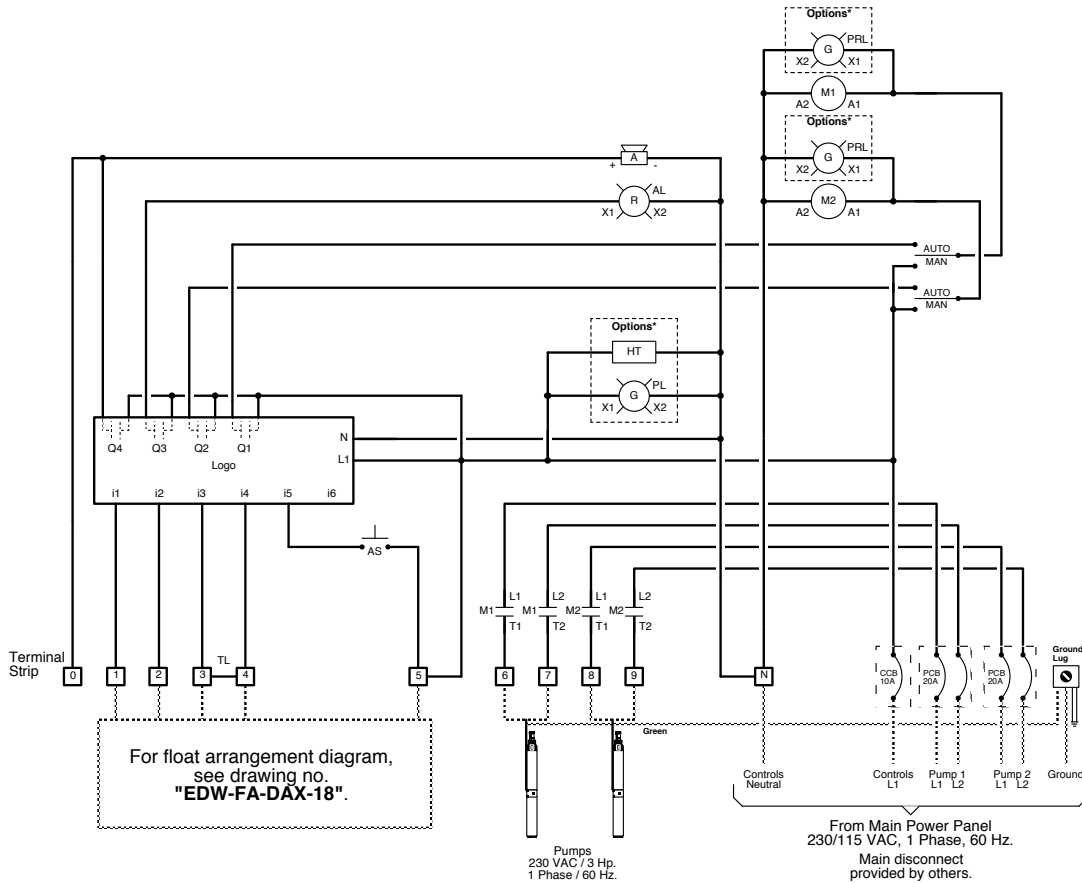
### Power Wiring Options



Factory default. Wire as shown.

Use one wire nut to connect the first pole of each pump circuit breaker together with the incoming L1 power line. Use another wire nut to connect the second pole of each pump circuit breaker together with the incoming L2 power line.

Use one wire nut to connect the first pole of each pump circuit breaker together with the controls pump circuit breaker and with the incoming L1 power line. Use another wire nut to connect the second pole of each pump circuit breakers with the incoming L2 power line.



For float arrangement diagram, see drawing no. "EDW-FA-DAX-18".

NOTE: Motors must have internal overload protection

From Main Power Panel  
230/115 VAC, 1 Phase, 60 Hz.  
Main disconnect provided by others.