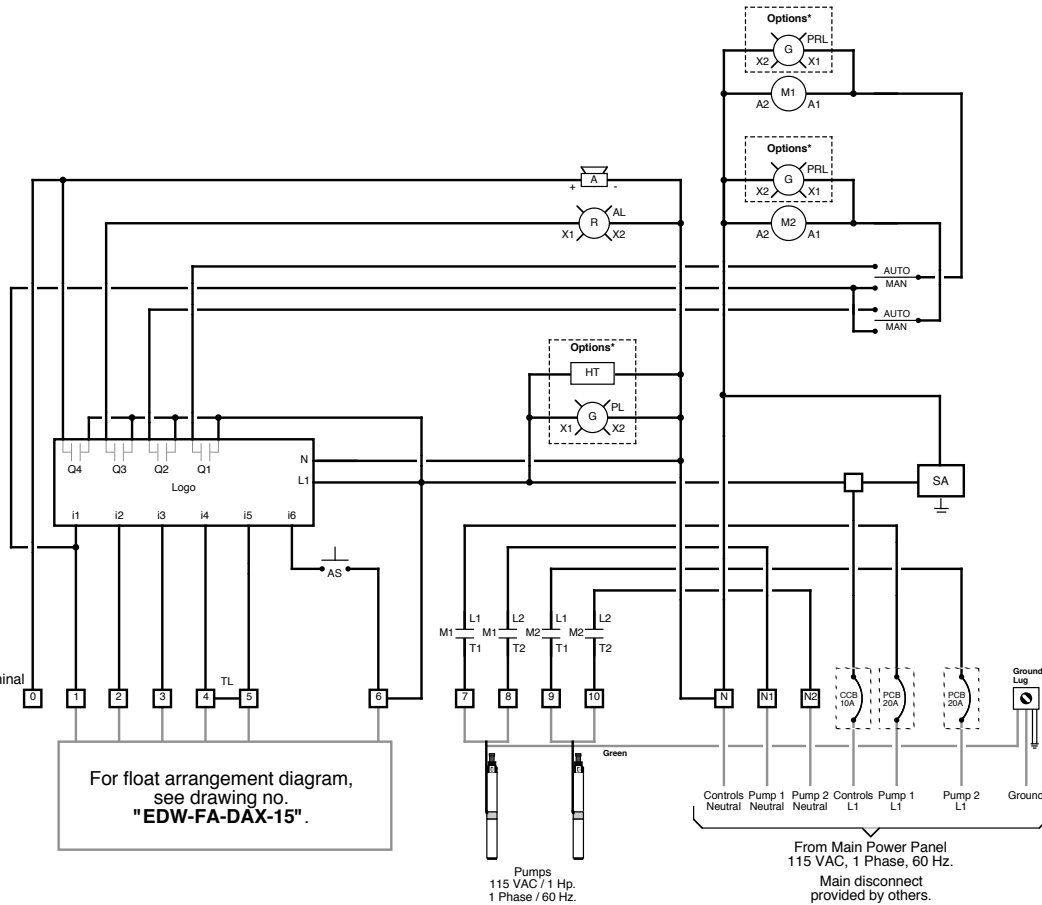
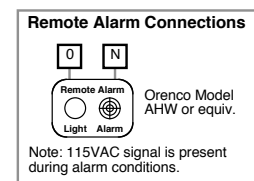
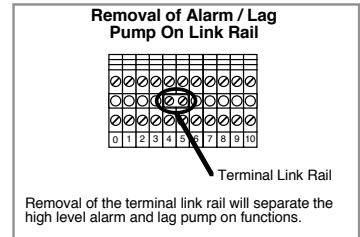


Panel Wiring Diagram Model MVP-DAX1 RO SA



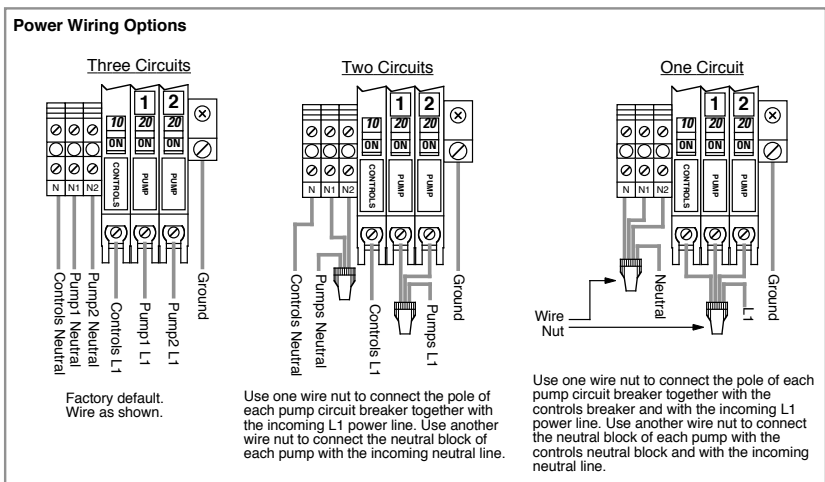
For float arrangement diagram,
see drawing no.
"EDW-FA-DAX-15".

NOTE: Motors must have
internal overload protection



- ### Key
- = Factory Wire
 - - - = Field Wire
 - · - · = Alternate Field Wire
 - A = Audio Alarm, 115 VAC
 - AL = Alarm Light
 - ALT = Duplex Alternator
 - AS = Audio Silence Switch
 - CCB = Controls Circuit Breaker
 - Logo = Logic Module
 - M = Motor Contactor
 - PCB = Pump Circuit Breaker
 - SA = Surge Arrestor
 - SR = Silence Control Relay
 - TL = Terminal Link
- *Options**
- HT = Heater
 - PL = Power Light
 - PRL = Pump Run Light

For MVP-DAX RO
operation
description, see
drawing no.
"EIN-CP-OP-85".



814 AIRWAY AVENUE
SUTHERLIN, OREGON
97479
TOLL FREE:
(800) 348-9843
TELEPHONE:
(541) 459-4499
FACSIMILE:
(541) 459-2884
WEB SITE:
www.orenco.com