

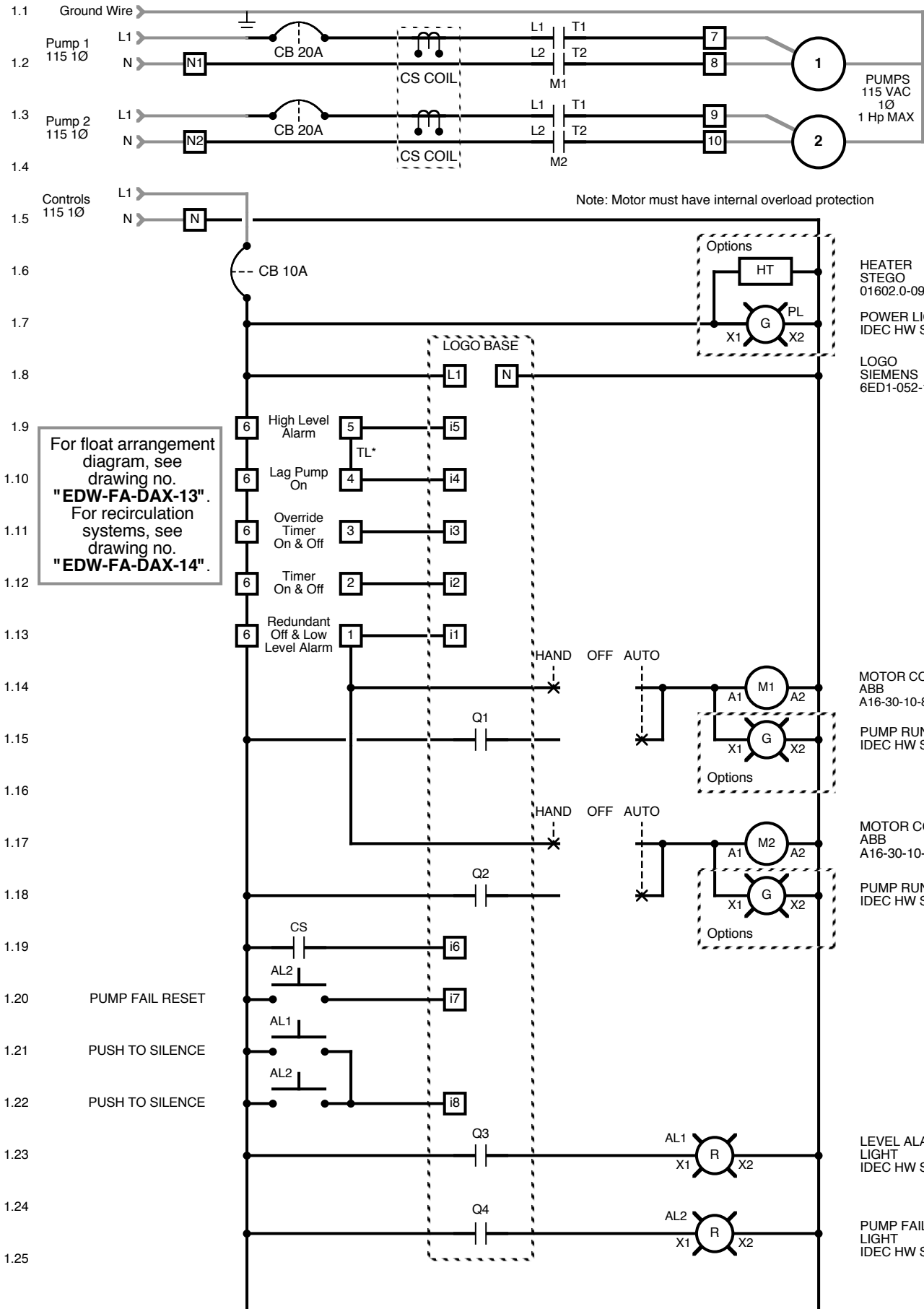
# Control Panel Wiring Diagram

## Model MVP-DAX1 PTR0 CS



From Main Power Panel  
115 VAC, 1 Phase, 60 Hz.  
Main disconnect  
provided by others.

— = Factory Wire  
— = Field Wire



For float arrangement diagram, see drawing no. "EDW-FA-DAX-13". For recirculation systems, see drawing no. "EDW-FA-DAX-14".

814 AIRWAY AVENUE  
SUTHERLIN, OREGON  
97479

TOLL FREE:  
(800) 348-9843

TELEPHONE:  
(541) 459-4449

FACSIMILE:  
(541) 459-2884

WEB SITE:  
www.oreco.com

HEATER  
STEGO  
01602.0-09

POWER LIGHT  
IDEC HW SERIES

LOGO  
SIEMENS  
6ED1-052-1FB00-0BA6

MOTOR CONTACTOR  
ABB  
A16-30-10-84

PUMP RUN LIGHT  
IDEC HW SERIES

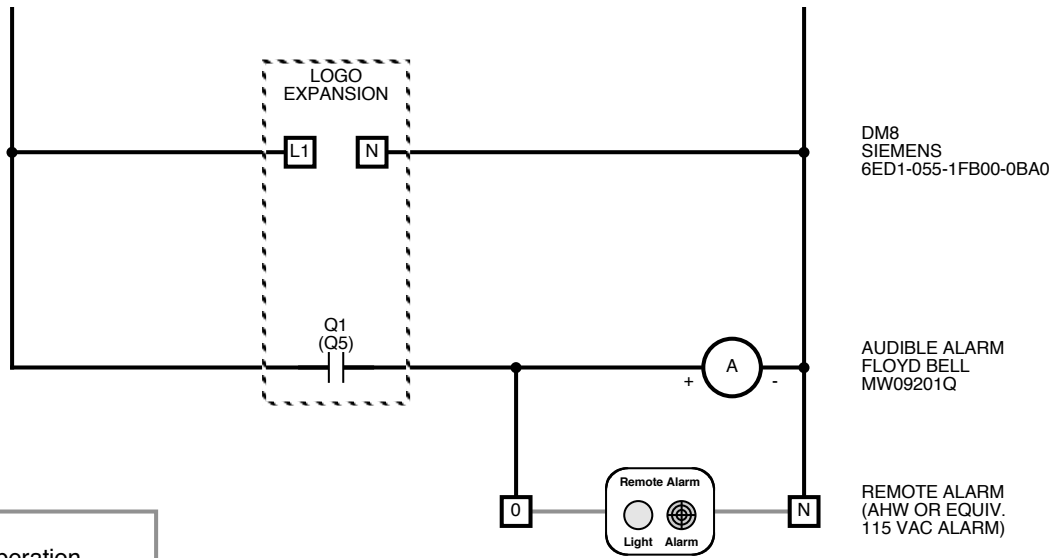
MOTOR CONTACTOR  
ABB  
A16-30-10-84

PUMP RUN LIGHT  
IDEC HW SERIES

LEVEL ALARM  
LIGHT  
IDEC HW SERIES

PUMP FAIL  
LIGHT  
IDEC HW SERIES

2.1  
2.2  
2.3  
2.4  
2.5  
2.6  
2.7  
2.8  
2.9  
2.10  
2.11  
2.12  
2.13  
2.14  
2.15  
2.16  
2.17  
2.18  
2.19  
2.20  
2.21  
2.22  
2.23  
2.24  
2.25  
2.26  
2.27



For MVP-DAX operation description, see drawing no. "EIN-CP-OP-54".

