

Category: **TRENCH COVERS**

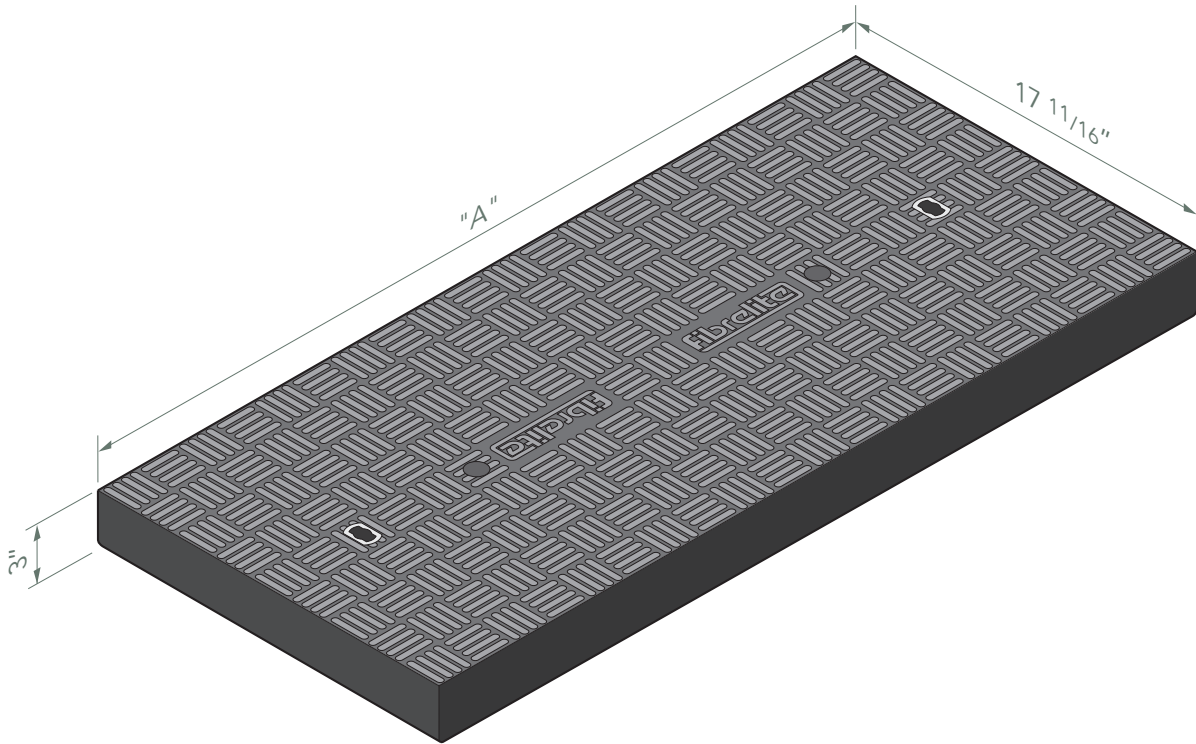
Product Description: Light duty, composite trench covers.  
Capable of withstanding loads of up to 28,000lb / 12.58 tonnes.

Page No: **1**

Drawing Code: **FM/LD**

Date: **April 2014**

## Cover Depth - 3"



Product Code	Cover Length DIM "A" (inches)	Weight (lbs)
FM45-60-76/LD	23 <sup>5</sup> / <sub>8</sub> "	25
FM45-70-76/LD	27 <sup>9</sup> / <sub>16</sub> "	29
FM45-80-76/LD	31 <sup>1</sup> / <sub>2</sub> "	34
FM45-90-76/LD	35 <sup>7</sup> / <sub>16</sub> "	38
FM45-100-76/LD	39 <sup>3</sup> / <sub>8</sub> "	42
FM45-110-76/LD	43 <sup>5</sup> / <sub>16</sub> "	46
FM45-120-76/LD	47 <sup>1</sup> / <sub>4</sub> "	51
FM45-130-76/LD	51 <sup>3</sup> / <sub>16</sub> "	55
FM45-140-76/LD	55 <sup>1</sup> / <sub>8</sub> "	59
FM45-150-76/LD	59 <sup>1</sup> / <sub>16</sub> "	64
FM45-160-76/LD	63 "	68



Category: **TRENCH COVERS**

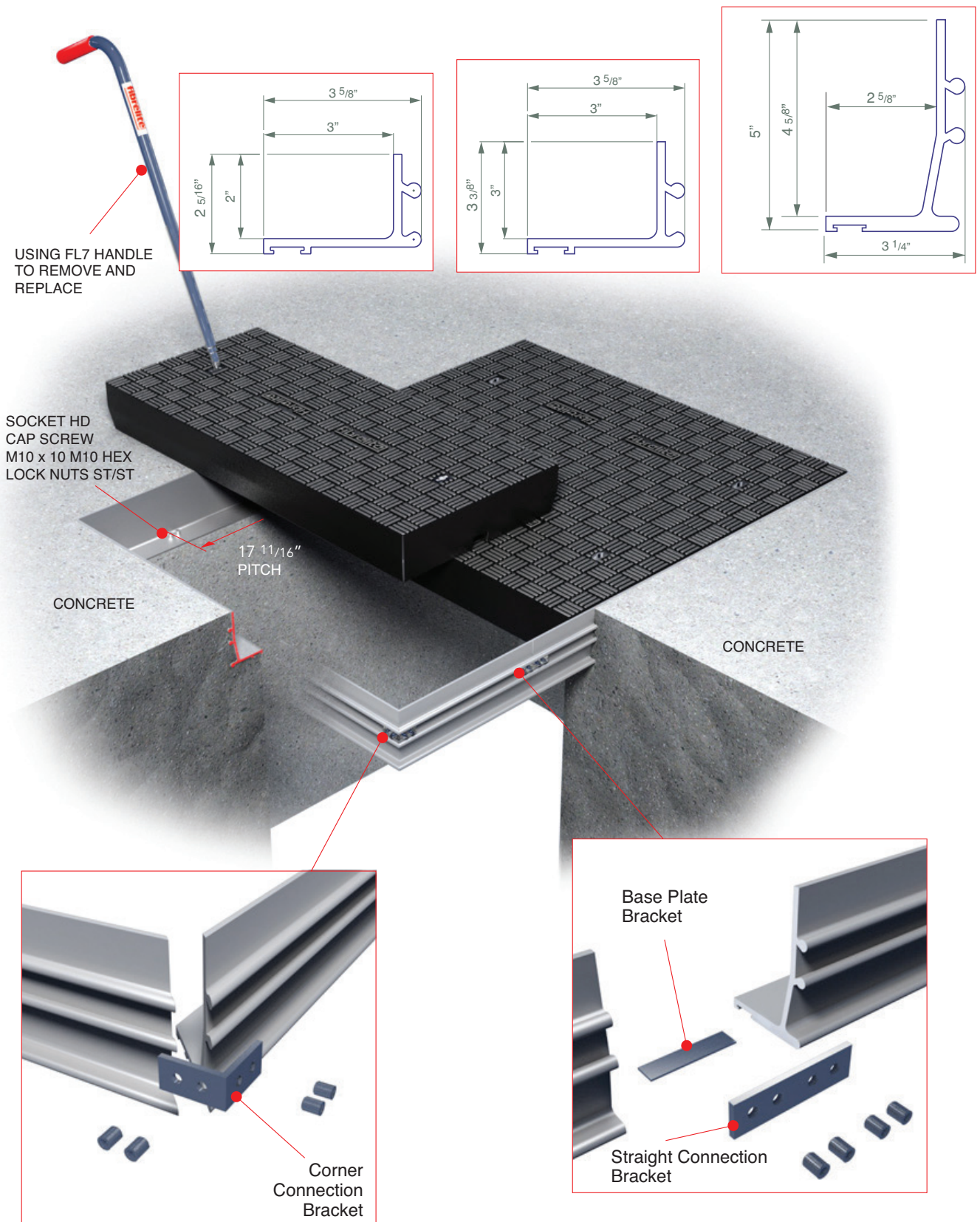
Product Description: Light duty, composite trench covers.  
 Capable of withstanding loads of up to 28,000lb / 12.58 tonnes.

Page No: **3**

Drawing Code: **FM/LD**

Date: **April 2014**

## Frame Detail



Category: **TRENCH COVERS**

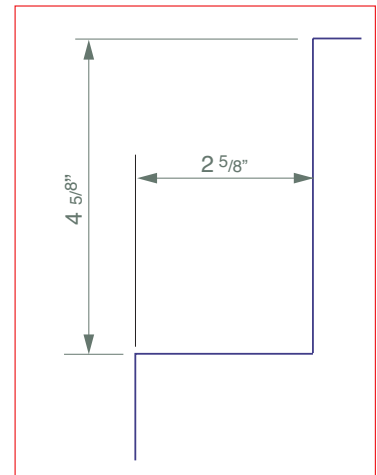
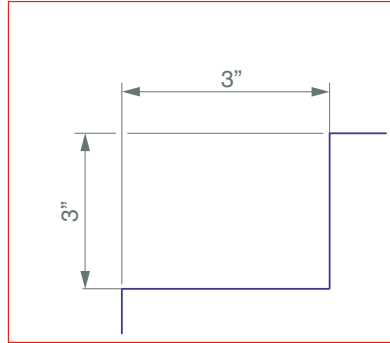
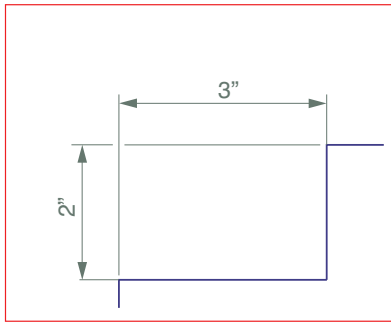
Product Description: Light duty, composite trench covers.  
 Capable of withstanding loads of up to 28,000lb / 12.58 tonnes.

Page No: **5**

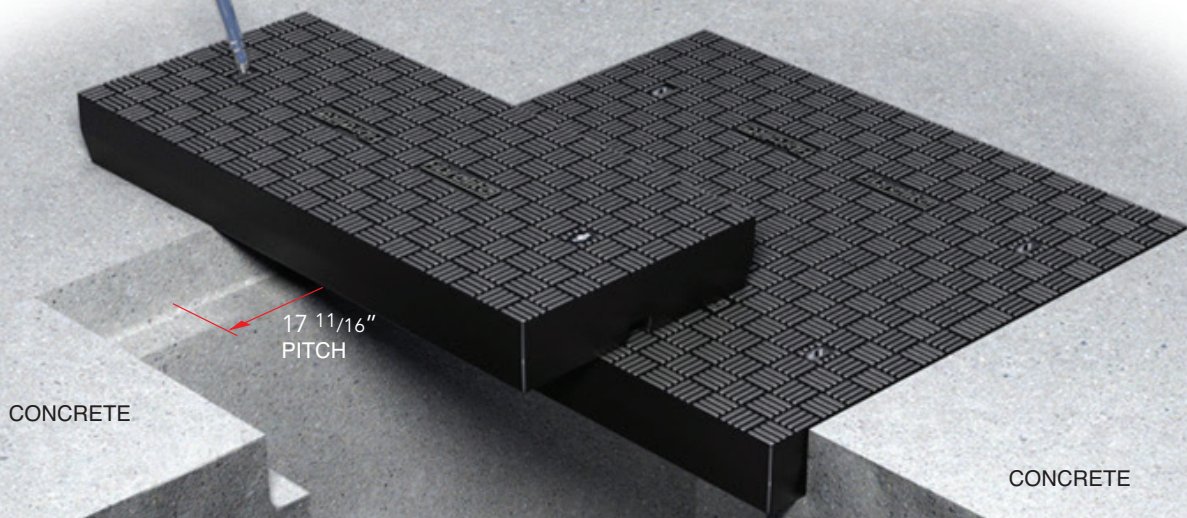
Drawing Code: **FM/LD**

Date: **April 2014**

## Rebate Detail



USING FL7 HANDLE  
TO REMOVE AND  
REPLACE



FIBRELITE

Category: **TRENCH COVERS**

Product Description: Light duty, composite trench covers.  
Capable of withstanding loads of up to 28,000lb / 12.58 tonnes.

Page No: **6**

Drawing Code: **FM/LD**

Date: **April 2014**