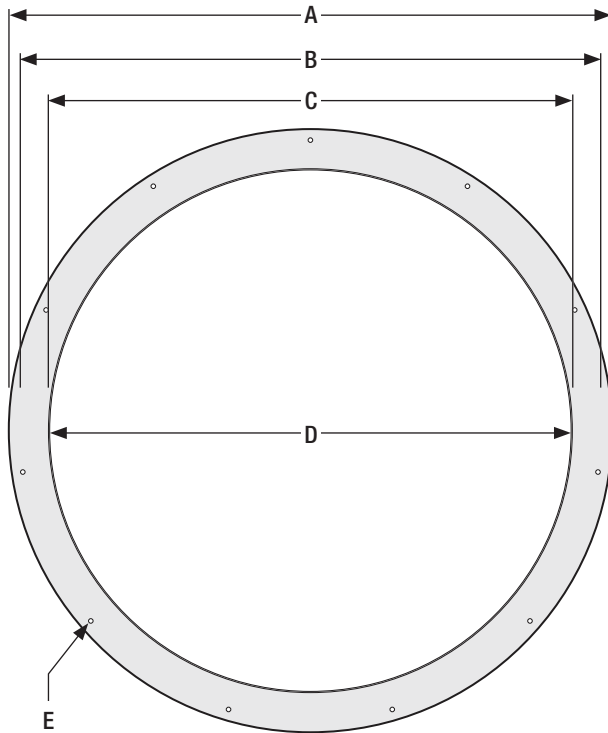


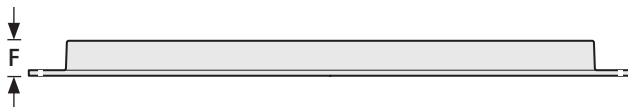
FRTA36 Bolt-Down Tank Adapter

Applications

Orenco® FRTA36 Tank Adapters are used to create a structural, water-tight joint for attaching Orenco's 36-inch (914 mm) Fiberglass Access Risers to concrete tanks.



FRTA36, top view



FRTA36, side cross-section view

General

Fiberglass FRTAs are manufactured using a closed-molding process to produce highly consistent parts.

Orenco FRTA36 Tank Adapters are fastened to the top of the tank with an FRTA36BDKIT bolt down kit. The bolt down kit consists of 12 concrete anchors and a roll of butyl sealant.

Standard Models

FRTA36

Product Code Diagram

FRTA 36

Riser diameter:
36 = 36 in. (914 mm)
Fiberglass tank adapter

Materials of Construction

Fiberglass-reinforced polyester

Specifications

Dimension, in. (mm)	
A	42.00 (1067)
B	39.50 (1003)
C (O.D.)	36.00 (914)
D (I.D.)	35.60 (904)
E	0.25 (6) dia., typical (11 holes)
F	2.38 (60)