

Effluent Filter Overflow Plate

Assembly Instructions for FT0822-14B-FSO

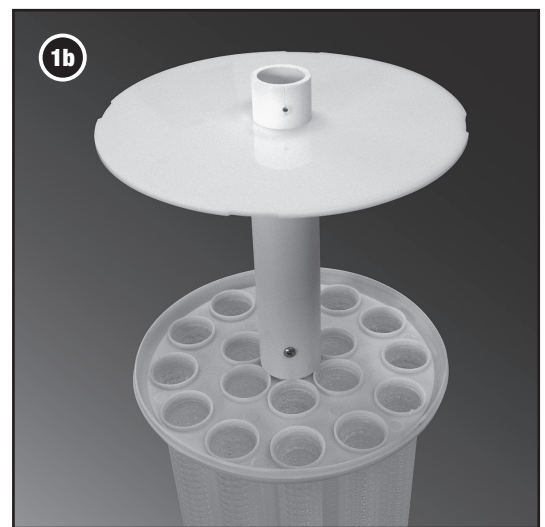
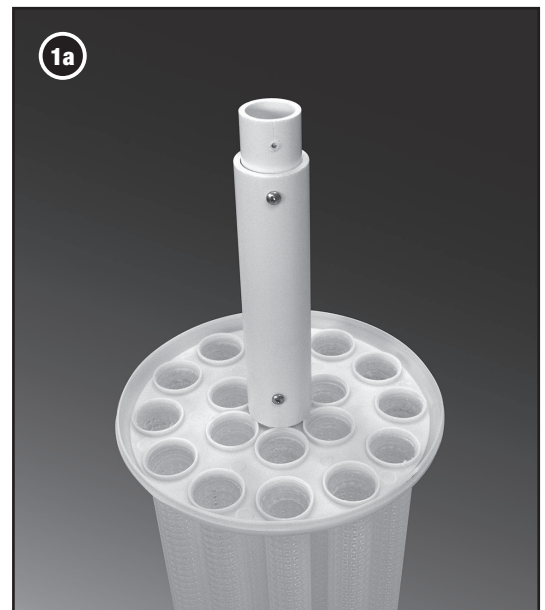
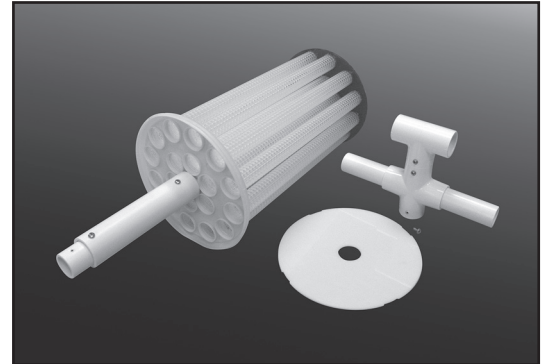
Before You Begin...

The Effluent Filter Overflow Plate modifies 8-inch Orenco Systems[®] Biotube[®] base-inlet effluent filters* to prevent effluent from bypassing the filter if the filter becomes clogged.

To assemble, you will need a Phillips screwdriver.

Step 1: Slip the Overflow Plate onto the Sleeve

Slip the overflow plate onto the one-inch diameter sleeve attached to the coupling.



* Covered by U.S. patents 4,439,323 and 5,492,635

Step 2: Replace the Handle

Slip the handle onto the one-inch diameter sleeve above the overflow plate, and tighten the stainless steel setscrew to hold the handle in place.

Step 3: Replace the Filter in the Housing