

ClickTight™ Products

Applications

Orenco's ClickTight products provide secure, moisture-resistant cable connections between a ClickTight, a ClickTight-compatible pump, up to four ClickTight-compatible float switches, and a control panel. They eliminate the need for splice boxes, field-spliced wires, wire nuts, and conduit seals.

ClickTight is UL-listed for the US and Canada. ClickTight connectors are IP67 rated.

General

Orenco's ClickTight products greatly reduce the risk of electrical failures in wastewater systems due to moisture, faulty splices, improperly installed waterproof wire nuts, or corrosion. Two to four float switches and a pump can be quickly and securely connected to the ClickTight, without the use of tools. An integral cable runs from the ClickTight to the control panel.

ClickTight

Orenco's ClickTight greatly reduces the risk of electrical failures in onsite wastewater systems. It provides secure, water-resistant cable connections between a control panel, up to four ClickTight-compatible float switches, and a pump. It eliminates the need for splice boxes, field-spliced wires, wire nuts, and conduit seals.

ClickTight installs easily in an access riser, where it fits close to the riser wall to provide clearance for O&M activities. ClickTight is fully potted and sealed to prevent moisture and corrosive gas from reaching the control panel.

Plug caps (product code CLK-CAP) are available for unused float switch plugs.

Materials of Construction

Cable	PVC/nylon, annealed copper
Connector housing	ABS
Coupler housing	ABS
Fastener	Stainless steel
O-ring	Buna-N
Connectors	Glass-filled thermoplastic, silicone
Potting compound	Urethane

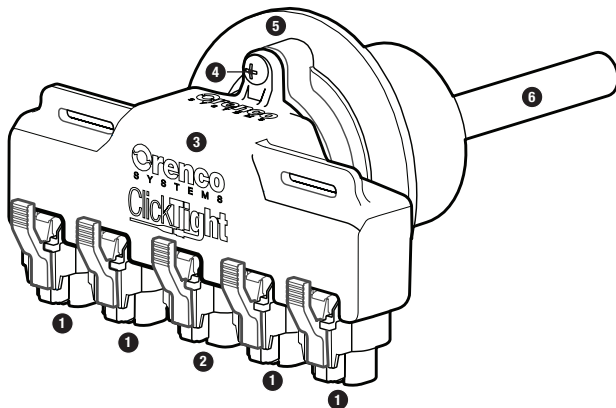
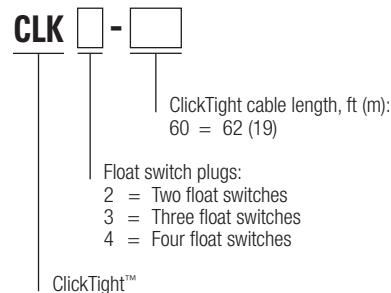
Specifications

Cable	14 AWG; 3-conductor; UL TC-ER 600V (pump) 18 AWG; 2-8 conductor; UL TC-ER 600V (float)
Cable length, maximum, ft (m)	62 (19)
Float switch connectors	2-pole, IP67
Pump connector	3-pole, IP67

Standard Models

CLK2-60, CLK3-60, CLK4-60

Product Code Diagram



- 1 Float switch plugs, female
- 2 Pump plug, female
- 3 ClickTight connector
- 4 Stainless steel fastener
- 5 ClickTight coupler
- 6 ClickTight cable

ClickTight

ClickTight Float Switches

ClickTight “B,” “C,” “N,” and “P” float switches are mechanical, non-mercury switches that are cUL-listed and CSA-certified for use in water or sewage. ClickTight “G” float switches are mercury switches.

Materials of Construction

Float switch collar	ABS
Float switch cord	Flexible, 2-conductor (UL, CSA) SJOW; water-resistant CPE cord jacket with EPDM insulated conductors
Float switch housing	Impact-resistant, noncorrosive polypropylene for use in liquids up to 140° F (60° C)
Float switch plug, male	Glass-filled thermoplastic, silicone, IP67

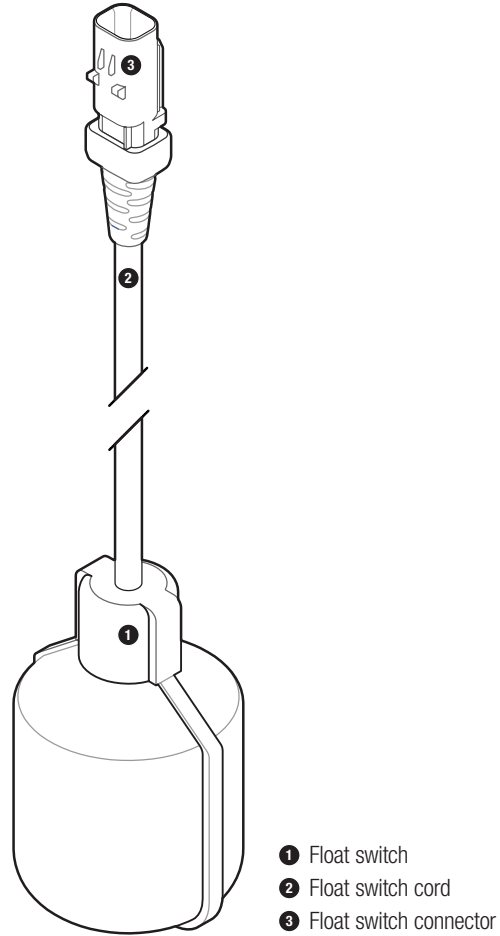
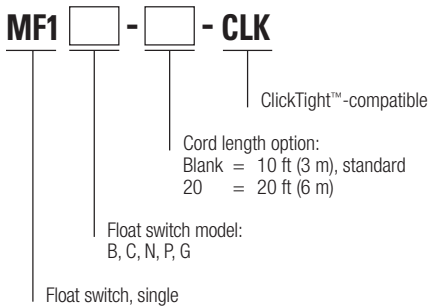
Float Switch Specifications

Float	State	Type
B	Normally open	Mechanical
C	Normally open	Mechanical
N	Normally closed	Mechanical
P	Normally open	Mechanical
G	Normally open	Mercury

Standard Models

B, C, N, P, G

Product Code Diagram



ClickTight float switch (mechanical float switch shown)

ClickTight Pump Cord Adapters

Orenco's ClickTight pump cord adapters provide a means of retrofitting a ClickTight pump connector to an existing Orenco pump or a customer-sourced, single-phase, 120V/240V pump of up to 1hp (0.75kW) and a rating of 13 FLA.

Materials of Construction

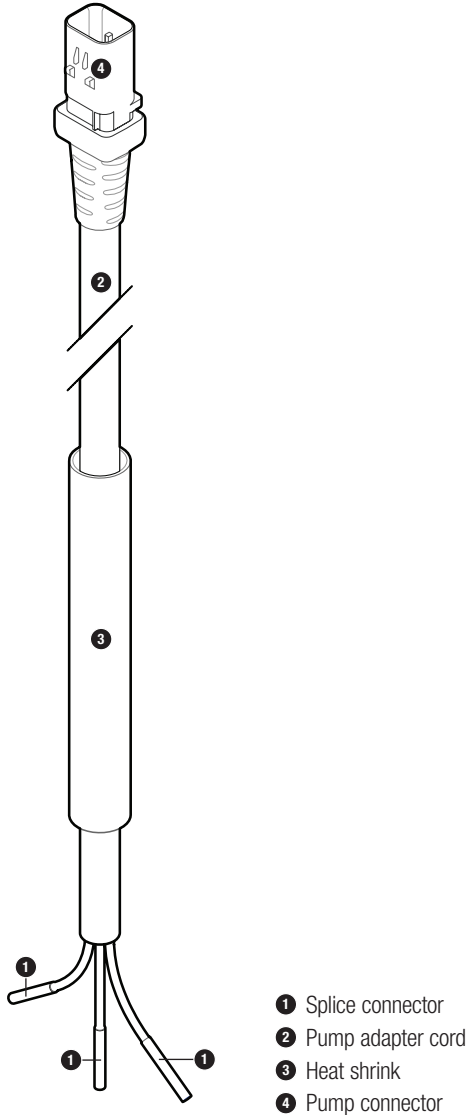
Connector	Glass-filled thermoplastic, silicone
Heat shrink	Adhesive-filled polyolefin
Splice connector	Nylon, copper

Specifications

Pump adapter cord	3-conductor, 16 AWG, SOOW, 600V
Pump adapter cord plug, male	3-pole, IP67
Heat shrink	12-6 AWG, 600V
Splice connector	16-14 AWG

Product Code Diagram

CLK - PA



ClickTight pump cord adapter

ClickTight-Compatible Effluent Pumps

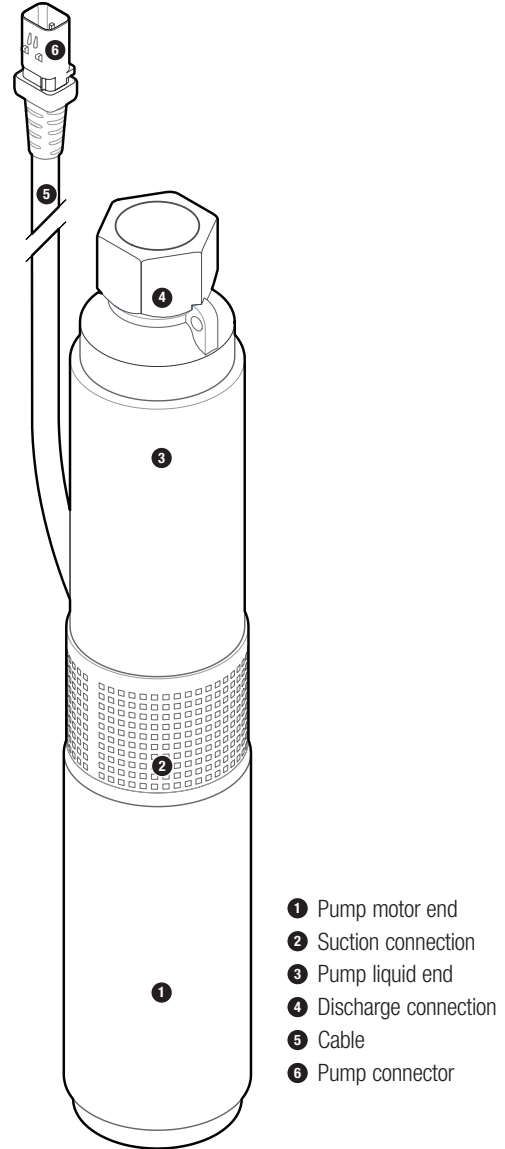
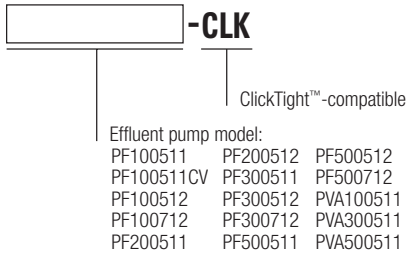
Orenco's ClickTight-compatible PF-Series 4in (100mm) effluent pumps* are the fast and simple way to add pumping capability to the ClickTight Controls Package. They're field-serviceable with common tools and have a minimum 24-hour run-dry capability (liquid end) with no deterioration in pump life or performance in internal testing.

* For PF-Series effluent pumps, see Orenco Tech Data Sheets NTD-PU-PF-1 and NTD-PU-PF-4. PVA-series pumps are also available. See Orenco Tech Data Sheet NTD-PU-PVA-1 for details.

Materials of Construction

Connector	Glass-filled thermoplastic, silicone, IP67
Diffusers	Glass-filled PPO
Discharge	Glass-filled polypropylene
Discharge bearing	Engineered thermoplastic (PEEK)
Impellers	Acetal
Intake screens	Polypropylene
Lubricant	Deionized water, propylene glycol
Suction connection, drive shaft, coupling, shell	Stainless steel

Product Code Diagram



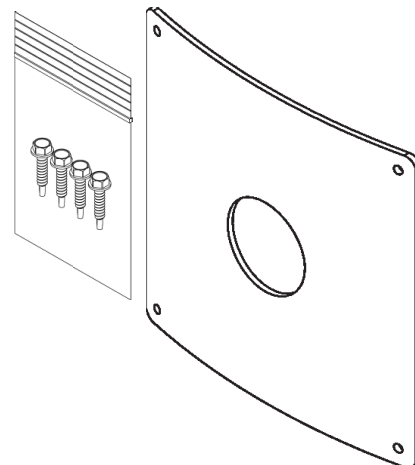
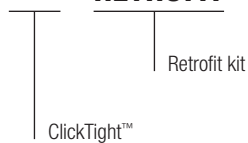
ClickTight-compatible effluent pump

ClickTight Retrofit Kit

Orenco's ClickTight retrofit kit provides the hardware needed for replacing an existing external Orenco splice box in a riser with a ClickTight unit.

Product Code Diagram

CLK - RETROFIT



ClickTight retrofit plate and self-drilling screws