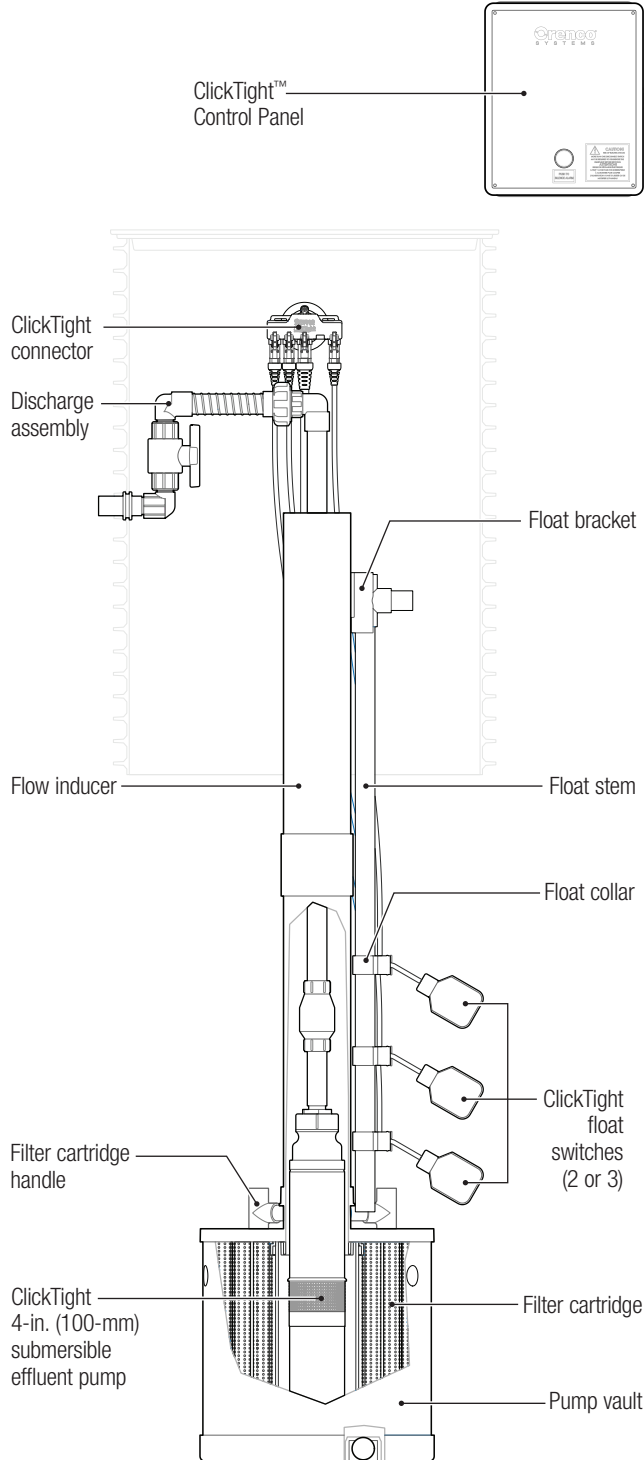


# Biotube® EasyPak™ 60-Hz Pump Package

**With ClickTight™ Controls**



## Applications

The Biotube® EasyPak™ Pump Package with ClickTight™ Controls is designed to filter and pump effluent from a pump tank to gravity or pressurized dispersal. Its low-profile, submersible design makes it well-suited for applications requiring large reserve volumes and for pumping from near the bottom of a tank.

Packages for on-demand dosing or timed dosing at 10-, 20-, 30-, and 50-gpm (0.6-, 1.3-, 1.9-, and 3.2-L/sec) and 50-Hz are available.

## General

Orenco's patented Biotube EasyPak Pump Package with ClickTight Controls makes it simple to select and install the correct pump and controls package for the pump tank.\*

Orenco's integrated ClickTight Controls connect a pump, up to four floats, and a control panel without the use of splice boxes, field-spliced wires, or watertight wire nuts. It also eliminates the need for conduit sealing. The Orenco ClickTight connector is UL-listed for the US and Canada.

This document provides detailed information on the EasyPak pump vault and effluent filter cartridges. For more information on other EasyPak and ClickTight Controls components, see the following Orenco technical documents:

- ClickTight Controls Package (NTD-CLK-2)
- Discharge Assemblies (NTD-HV-HV-1)
- PF-Series Submersible Effluent Pumps: 1-Phase, 60-Hz, 4-inch (100-mm) (NTD-PU-PF-1)
- PVA-Series 4-in. (100-mm) Submersible Effluent Pumps (NTD-PU-PVA-1)

**Biotube EasyPak® with ClickTight™ Controls**

*\*U.S. Patents #4,439,323 and #5,492,635 (additional U.S. and international patents pending)*

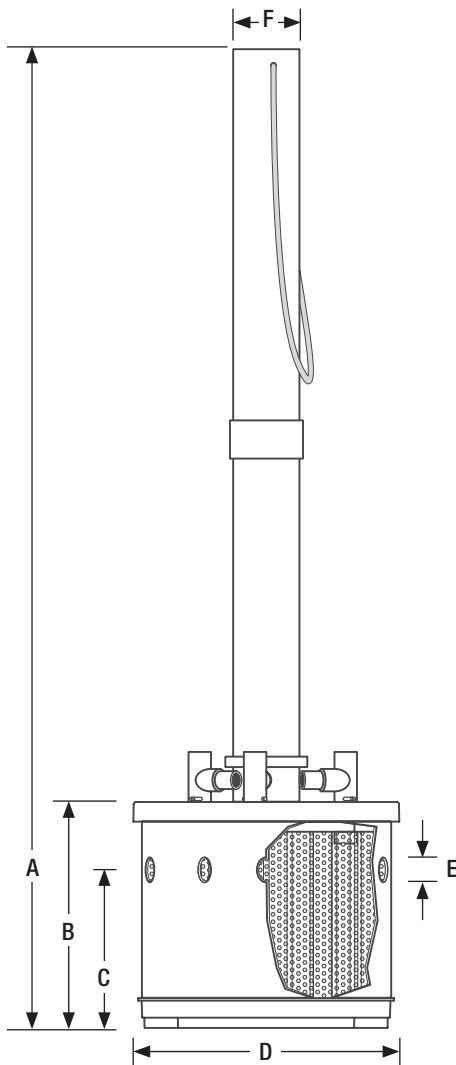
## EasyPak™ Pump Vault

### Materials of Construction

Vault body	PVC
Vault top	ABS
Vault base	Fiberglass
Flow inducer	PVC
Lifting strap	Hollow-braided poly

### Dimensions, in. (mm)

A - Overall height (adjustable)	64 (1625)
B - Vault height	15 (380)
C - Inlet hole center height	12 (305)
D - Vault diameter	15.75 (400)
E - Inlet hole diameter (8 total)	1.38 (35)
F - Flow inducer diameter, nominal	4 (100)



*EasyPak™ pump vault*

## Biotube® Filter Cartridge

### Materials of Construction

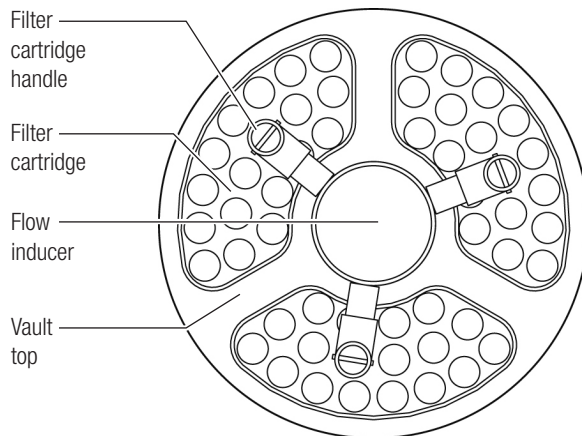
Filter tubes	Polypropylene
Cartridge end plates	Polyurethane
Handle	PVC

### Dimensions, in. (mm)

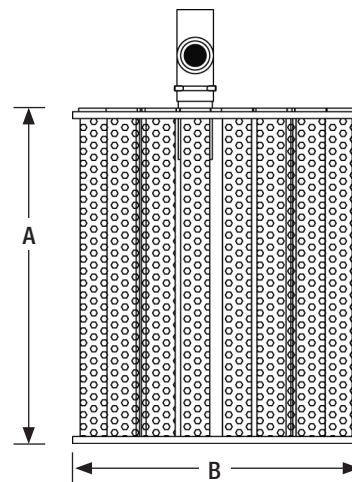
A - Cartridge height	12.0 (305)
B - Cartridge width	10.3 (262)

### Performance

Number of filter cartridges	3
Biotube® mesh opening	0.125 in. (3 mm)
Total filter flow area	4.5 ft <sup>2</sup> (0.4m <sup>2</sup> )
Total filter surface area	14 ft <sup>2</sup> (1.3m <sup>2</sup> )
Maximum flow rate	75 gpm (4.7 L/sec)



*Filter cartridges in vault, top view*



*Biotube® filter cartridge, front view*

## Product Code Diagram

**BEPCLK** -  -  -  -  -

Discharge assembly; details:

- SD1 = HV100BCFCX; field-cut, 1-in. PVC, ball valve, check valve, flow control, 10-gpm pumps only
- SD2 = HV100BCX; field-cut, 1-in. PVC, ball valve, check valve, 10- or 20-gpm pumps
- SD3 = HV125BCX; field-cut, 1.25-in. PVC, ball valve, check valve, 30-gpm pumps
- SD4 = HV200BCX; field-cut, 2-in. PVC, ball valve, check valve, 50-gpm pumps
- CW1 = HV100BCFCX + HVCW100-KIT; field-cut, 1-in. PVC, ball valve, check valve, flow control, 10-gpm pumps only
- CW2 = HV100BCX + HVCW100-KIT; field-cut, 1-in. PVC, ball valve, check valve, 10- or 20-gpm pumps
- CW3 = HV125BCX + HVCW125-KIT; field-cut, 1.25-in. PVC, ball valve, check valve, 30-gpm pumps
- CW4 = HV200BCX + HVCW200-KIT; field-cut, 2-in. PVC, ball valve, check valve, 50-gpm pumps
- DB1 = HV100B-DB; field-cut, 1-in. PVC, ball valve, drainback, 10- or 20-gpm
- DB2 = HV125B-DB; field-cut, 1.25-in. PVC, ball valve, drainback, 30-gpm
- DB3 = HV200B-DB; field-cut, 2-in. PVC, ball valve, drainback, 50-gpm

ClickTight cable length, ft (m):  
60 = 62 (19)

Float switch & pump cord lengths, ft (m):  
10 = 10 (3)  
20 = 20 (6)

Control panel; float switches:

- |                         |                              |
|-------------------------|------------------------------|
| S11 = S1; 3P            | M11 = MVP-S1DM; 3P           |
| S12 = S1ETMCT; 3P       | M12 = MVP-S1DMHT; 3P         |
| S13 = S1HR; 2P          | M13 = MVP-S1DMHTSA; 3P       |
| S14 = S1PTRO; 2BN       | M14 = MVP-S1DMHTMTSGR-NC; 3P |
| S15 = S1PTROETMCT; 2BN  | M15 = MVP-S1DM(DEMAND); 3P   |
| S16 = S1RO; 3PN         | M21 = MVP-S2DM; 3P           |
| S17 = S1ROETMCT; 3PN    | M22 = MVP-S2DMHT; 3P         |
| S18 = S1ROETMCTSA; 3PN  | M23 = MVP-S2DMHTSA; 3P       |
| S19 = S1ROMTSGR-NC; 3PN |                              |

Submersible effluent pump:

- P08 = PF200511; 20 gpm (1.3 L/sec), 1/2 hp (0.37 kW), 120V
- P90 = PVA100511; 10 gpm (0.6 L/sec), 1/2 hp (0.37 kW), 120V
- P91 = PVA300511; 30 gpm (1.9 L/sec), 1/2 hp (0.37 kW), 120V
- P92 = PVA500511; 50 gpm (3.2 L/sec), 1/2 hp (0.37 kW), 120V

Biotube® EasyPak™ with ClickTight™ Controls