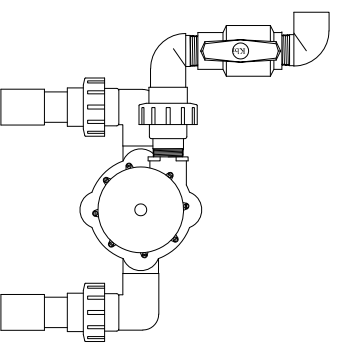


# Automatic Distributing Valve Assemblies

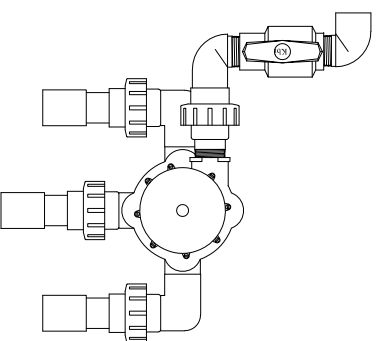


Scale: 1" = 12"

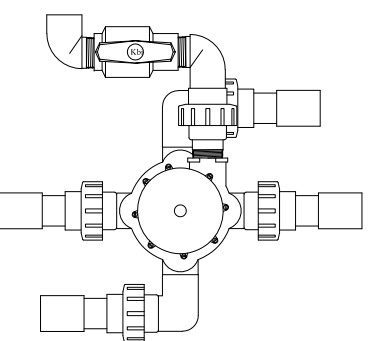
Note: Inlet orientation not as shown



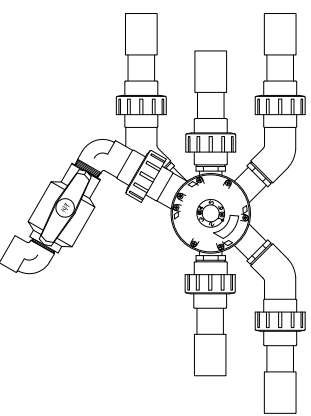
Top View - V4402/V6402  
(V6402 shown)



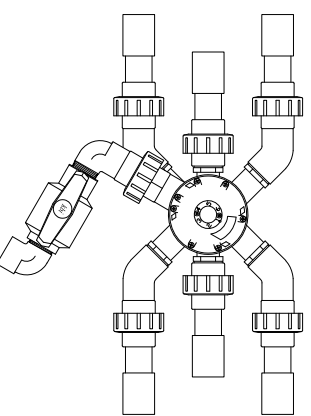
Top View - V4403/V6403  
(V6403 shown)



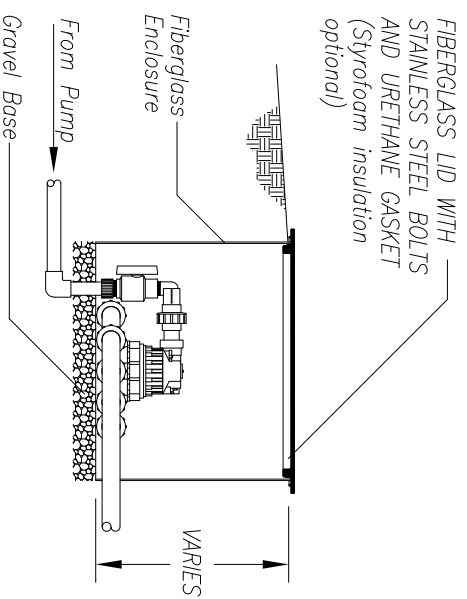
Top View - V4404/V6404  
(V6404 shown)



Top View - V4605/V6605  
(V4605 shown)



Top View - V4606/V6606  
(V4606 shown)



Side View - Hydrotek Enclosure  
Scale: 1" = 24"