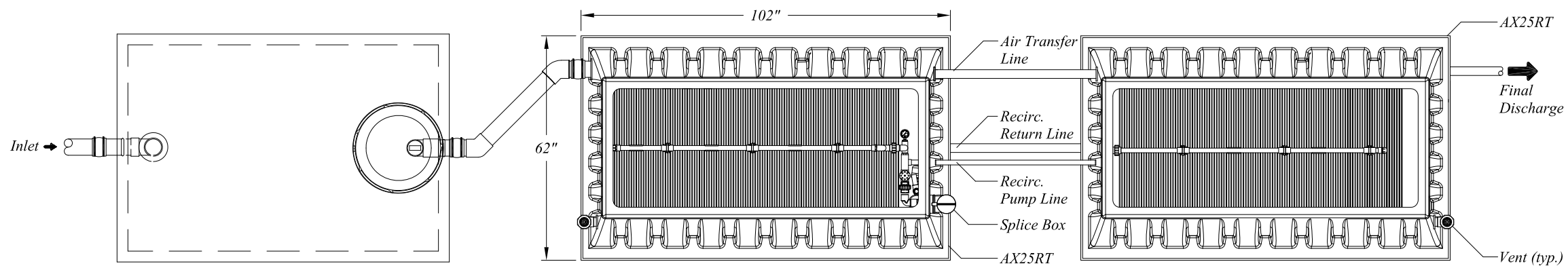


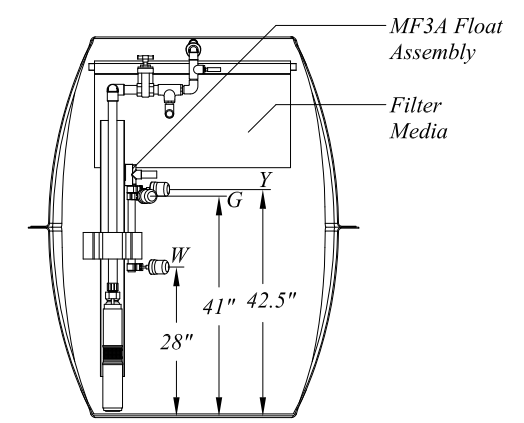
Float Functions	
Y	High Level Alarm
G	Override Timer ON/OFF
W	LLA/RO



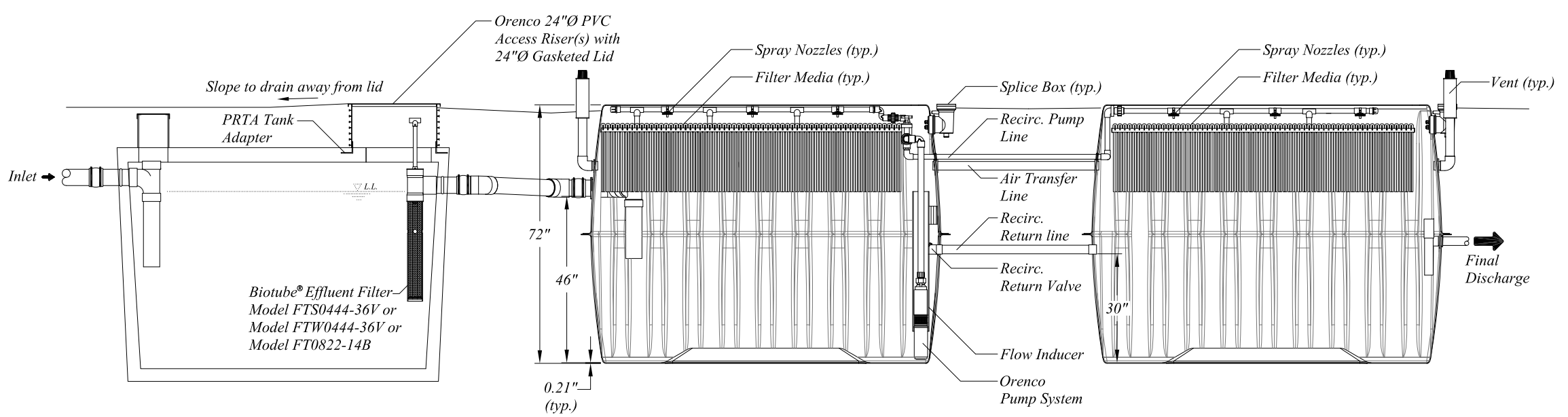
Primary Tank Top View
Not To Scale

Recirc. Blend Tank Top View
Scale: 1" = 3'-0"

Recirc. Filtrate Tank Top View
Scale: 1" = 3'-0"



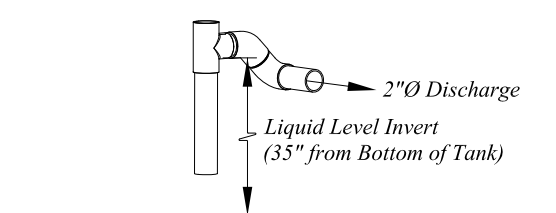
Recirc. Blend Tank End View
Scale: 1" = 3'-0"



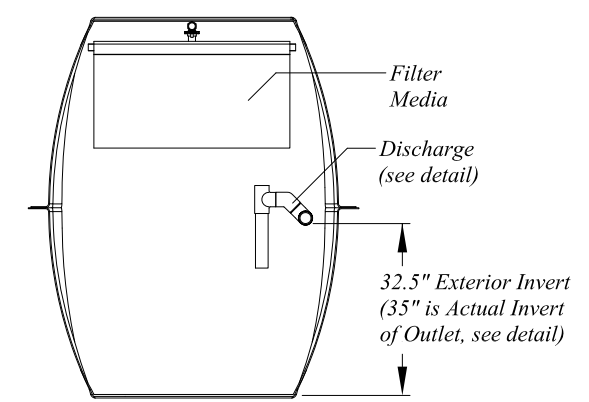
Primary Tank Side View
Not To Scale

Recirc. Blend Tank Side View
Scale: 1" = 3'-0"

Recirc. Filtrate Tank Side View
Scale: 1" = 3'-0"



Discharge Detail
Not To Scale



Recirc. Filtrate Tank End View
Scale: 1" = 3'-0"



© Orenco Systems, Inc.
Portions or all of this Standard System Configuration Drawing, as appropriate, may be reproduced and integrated into the site-specific layout and configuration of a system by its designer.

Disclaimer: This Standard System Configuration Drawing is provided solely as a design aid, and in no event should it be used as a replacement for site-specific engineering and design of the layout and configuration of an actual system. Orenco neither represents nor warrants that the configuration illustrated herein will perform in compliance with the requirements for any particular site or application.

**AdvanTex AX50RT
Gravity Discharge
System Details**

Drawn By: **BEN SMITH**
Reviewed By: **CSJ**
File Name: **DRI584.DWG**

Scale: **1" = 3'-0"**
Sheet: **1 OF 1**
Rev: **1.0** Date: **4/05/2016**