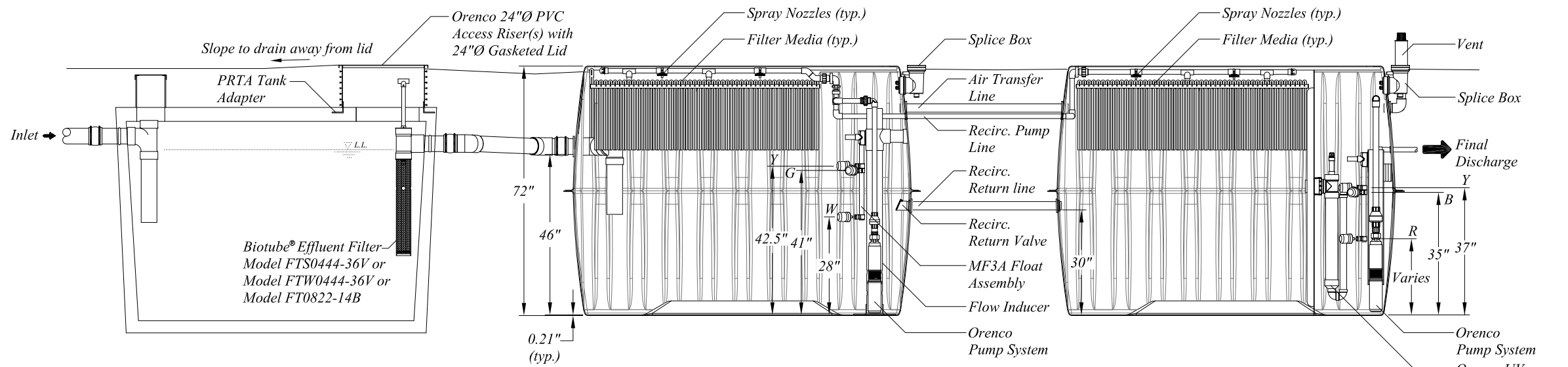


Primary Tank Top View
Not To Scale

Recirc. Blend Tank Top View
Scale: 1" = 3'-0"

Recirc. Filtrate Tank Top View
Scale: 1" = 3'-0"



Primary Tank Side View
Not To Scale

Recirc. Blend Tank Side View
Scale: 1" = 3'-0"

Recirc. Filtrate Tank Side View
Scale: 1" = 3'-0"

Float Functions	
Y	High Level Alarm
B	Pump On
G	Override Timer ON/OFF
R	Pump Off
W	LLA/RO