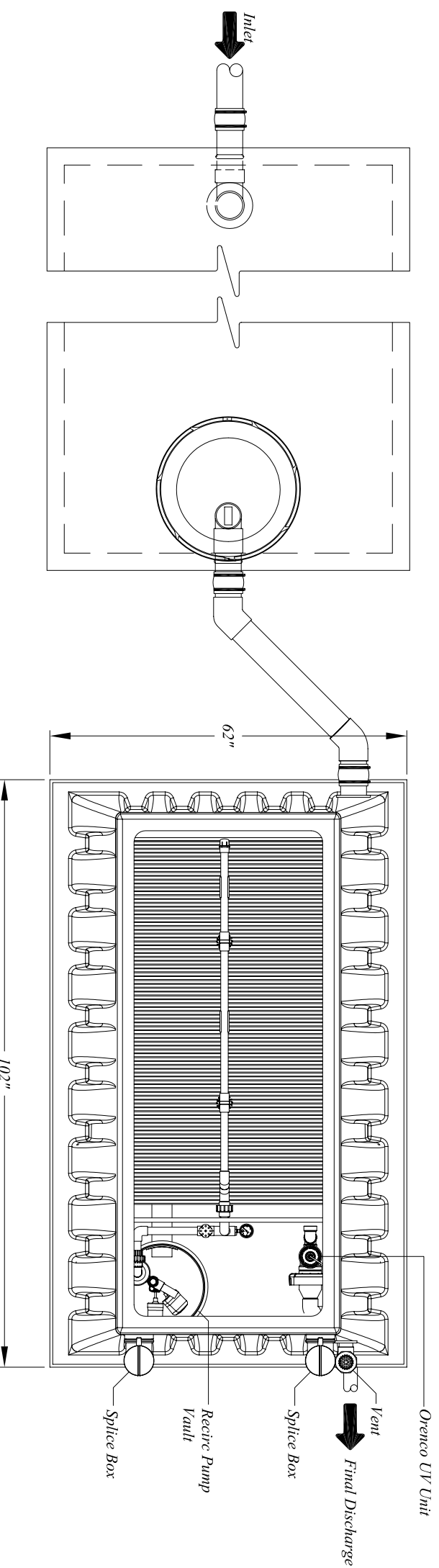


AX20RTUV Treatment System - UV with Gravity Discharge

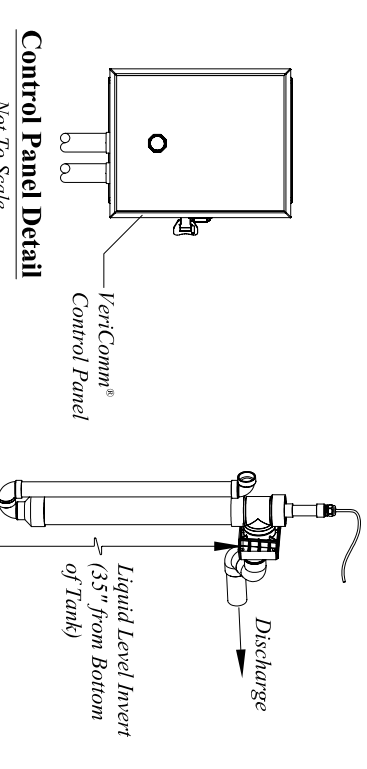
Filter Tank Dry Weight: 860 lbs

Design and Installation Notes

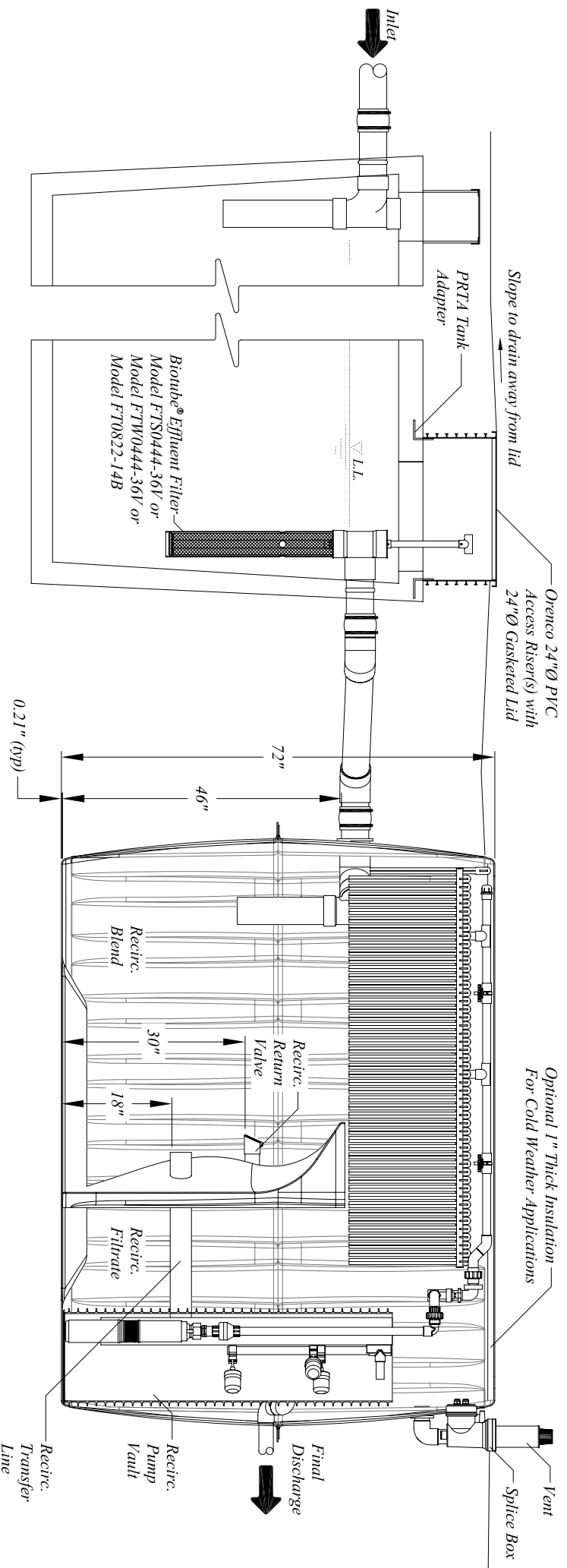
- For Expected Flows 4 Bedrooms or Less
- Installation To Be Performed By An AdvantEx Trained Installer Only
- Start-up And Service To Be Performed By An AdvantEx Trained Service Provider



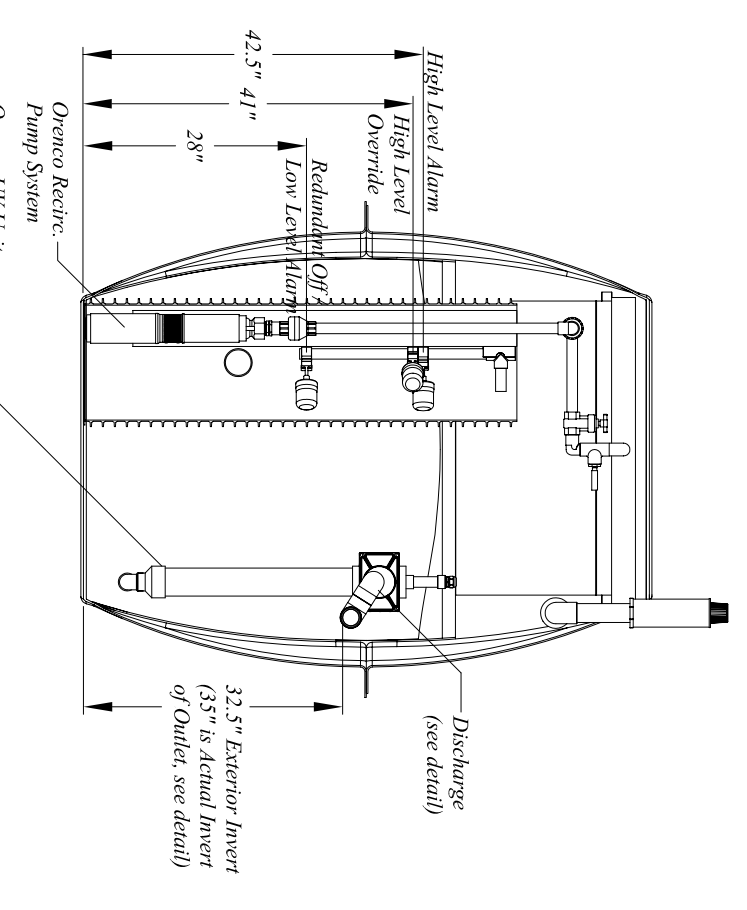
1000 gal. Primary Tank - Top View



AX20 800 gal. Recirc. Tank - Top View



1000 gal. Primary Tank - Side View



Discharge Chamber - End View

UNAUTHORIZED CHANGES & USES

Orenco has prepared these drawings for use by the design engineer. Orenco will not be responsible or liable for unauthorized changes to or uses of these drawings. All changes to these drawings must be made in writing and must be approved by the design engineer.

PRODUCT CONFIGURATION DRAWINGS



Orenco Systems[®] Incorporated
Changing the Way the World Does Wastewater[®]

Drawn By: **BEN SMITH**

Drawn For:

Project:

AX20RTUV Mode 1A

Title: NDW-ATX-RT-STD-14

Scale: 1" = 2'-0"

Sheet: 1 OF 1

Rev: A-03 Date: 8/08/2011

Copyright © 2011
Orenco Systems[®], Inc.