

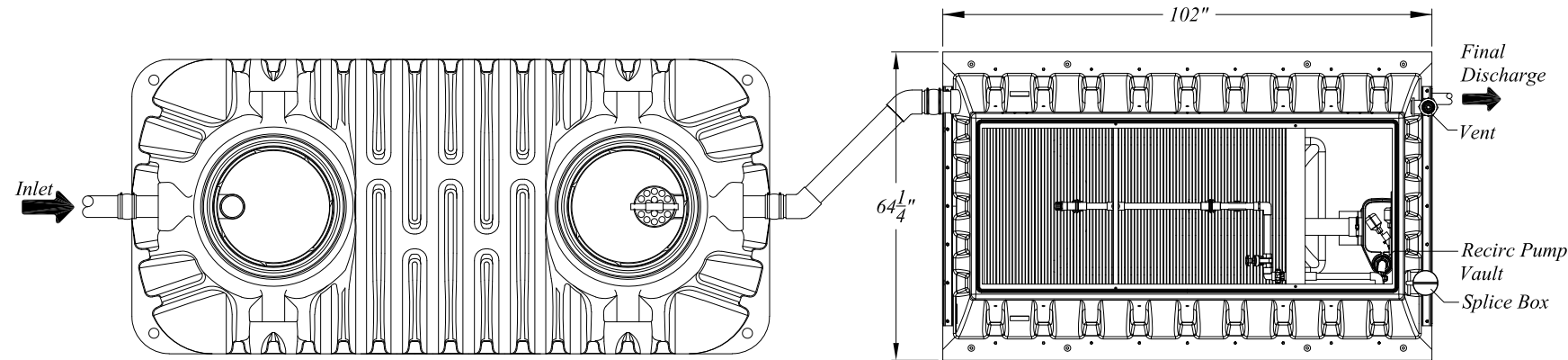
# AX20RT Treatment System - Gravity Discharge

## Design Notes

For residential strength waste up to 4 bedrooms.

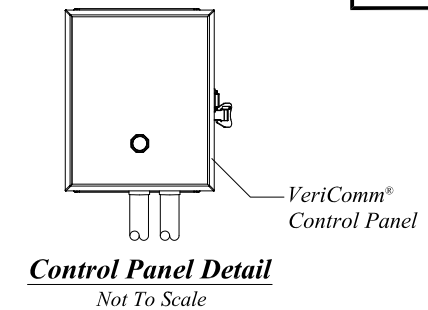
Installation to be performed by an AdvanTex Authorized Installer only.

Start-up and service to be performed by an AdvanTex Authorized Service Provider only.

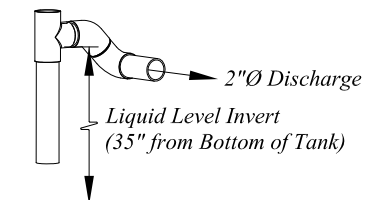


1000 gal. min. Roth Global Plastics, Inc.  
Primary Tank - Top View

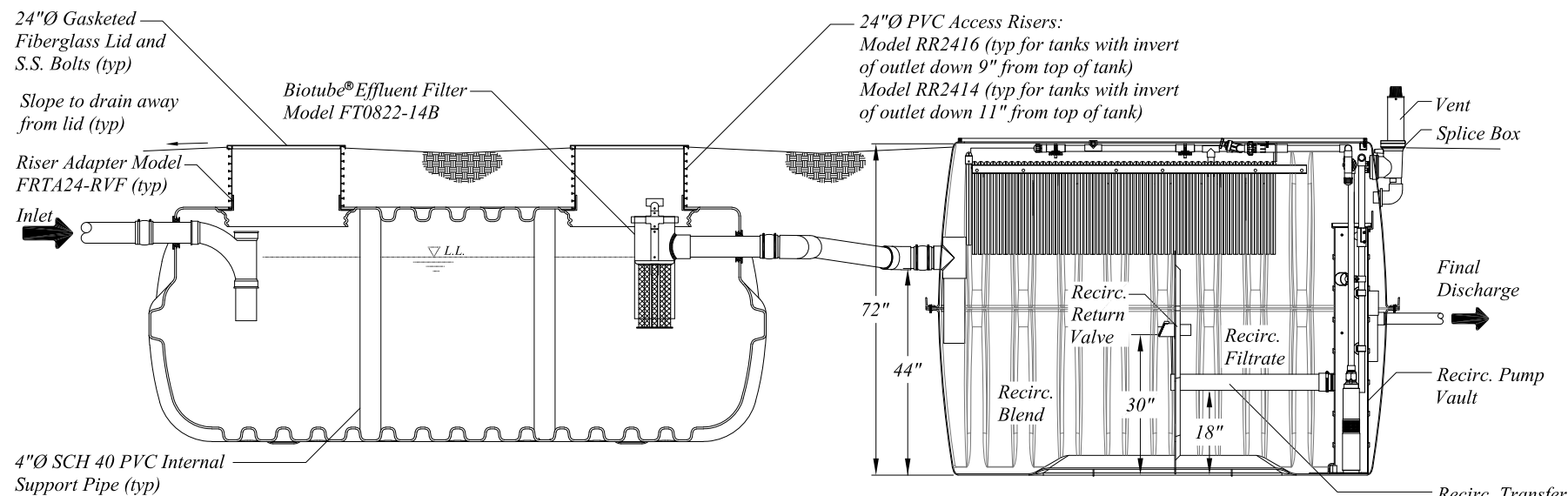
AX20 Recirculating  
Tank - Top View



Control Panel Detail  
Not To Scale

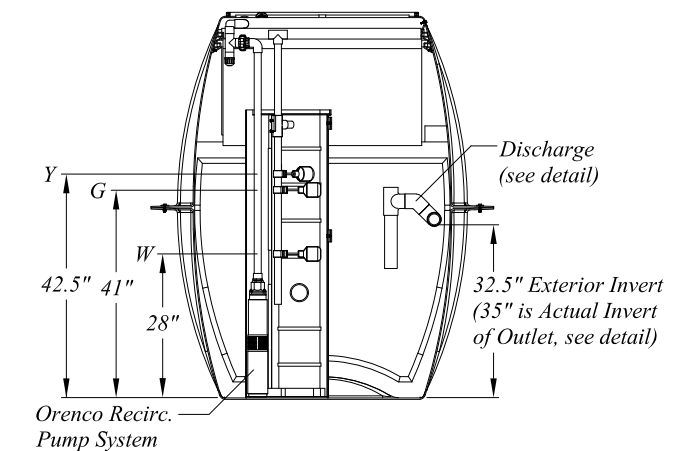


Discharge Detail  
Not To Scale



1000 gal. min. Roth Global Plastics, Inc.  
Primary Tank - Side View

AX20 Recirculating  
Tank - Side View



Discharge Chamber - End View

Float Functions	
Y	High Level Alarm
G	Override Timer ON/OFF
W	LLA/RO



© Orenco Systems, Inc.  
Portions or all of this Standard System Configuration Drawing, as appropriate, may be reproduced and integrated into the site-specific layout and configuration of a system by its designer.

**Disclaimer:** This Standard System Configuration Drawing is provided solely as a design aid, and in no event should it be used as a replacement for site-specific engineering and design of the layout and configuration of an actual system. Orenco neither represents nor warrants that the configuration illustrated herein will perform in compliance with the requirements for any particular site or application.

Project: AX20RT Mode 1A  
with Roth Plastics Primary Tank

Description: Details

Drawn By: BAS  
Reviewed By: CSJ

File Name: NDW-ATX-RT-STD-II.DWG

Scale: 1" = 3'-0"

Sheet: 1 OF 1

Rev: 8.0 Date: 11/27/2019