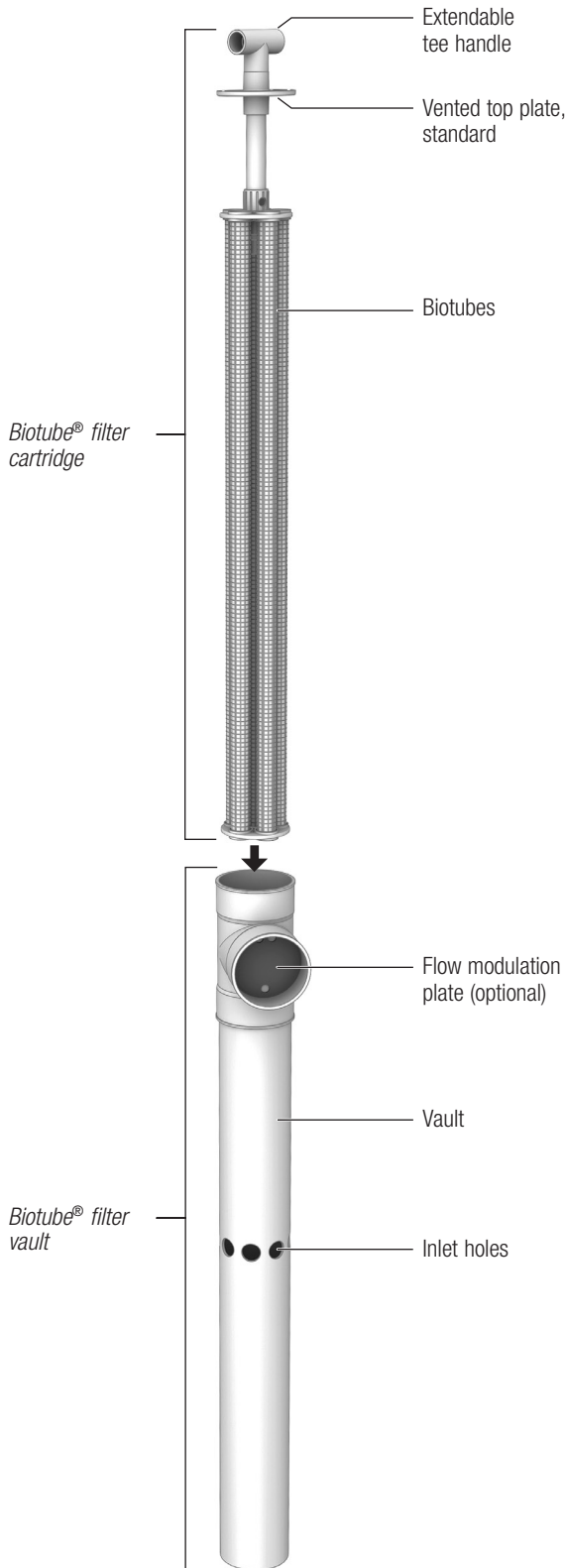


4-in. (100-mm) Biotube® Effluent Filters



Applications

Orenco® 4-inch Biotube® Effluent Filters are designed to remove solids from effluent leaving residential septic tanks. They can be used in new and existing tanks at flows of up to 1200 gpd.

General

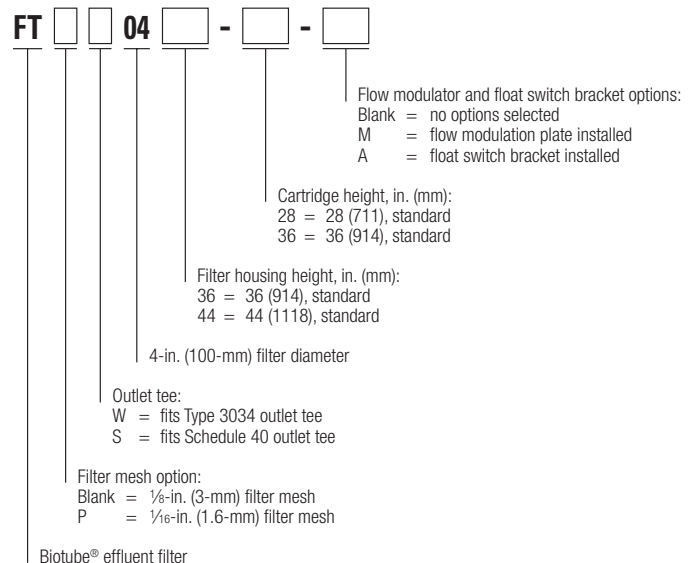
Orenco 4-inch Biotube Effluent Filters (U.S. Patents No. 4,439,323 and 5,492,635) are used to improve the quality of effluent exiting a septic tank in a residential septic system. Increased effluent quality improves system performance and extends drainfield life.

The Biotube cartridge fits tightly in the vault and is removable for maintenance. The tee handle can be extended for easy removal of the cartridge.

Standard Models

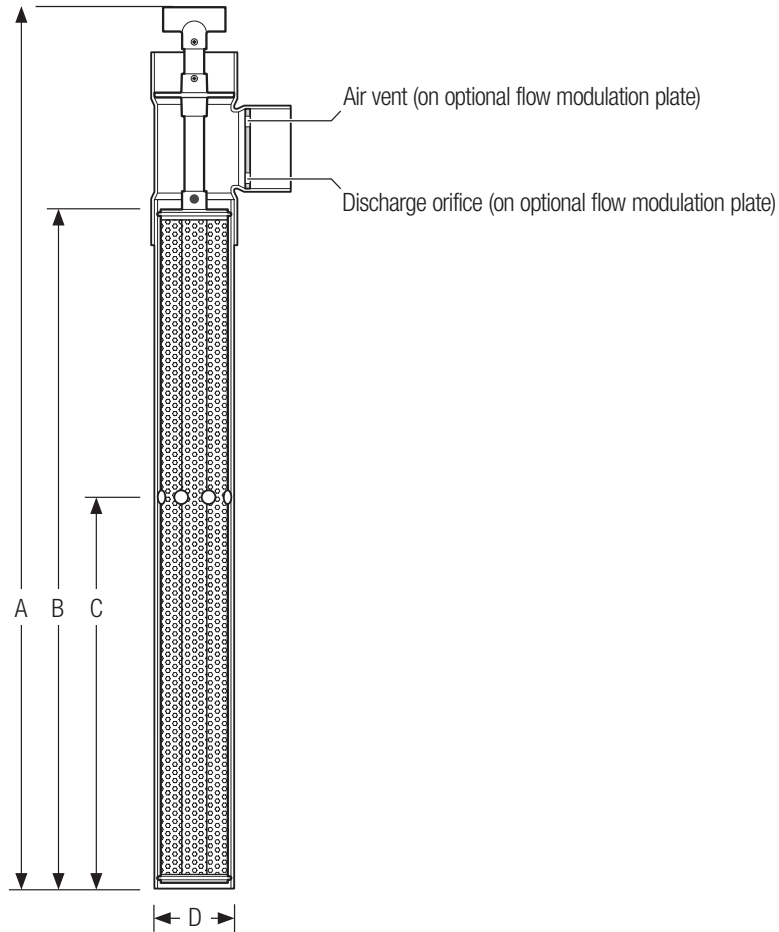
FTS0444-36, FTS0444-36M, FTW0436-28, FTW0436-28M
FTW0444-36, FTW0444-36M

Product Code Diagram



Materials of Construction

Vault	PVC
Biotube® cartridge	Polypropylene and polyethylene
Handle components	PVC, polyethylene, stainless steel



Specifications

Model	FTS0444-36, FTW0444-36	FTS0436-28, FTW0436-28
A - Vault height, in. (mm)	44.00 (1118)	36.00 (914)
B - Cartridge height, in. (mm)	36.00 (915)	28.00 (710)
C - Inlet hole height,* in. (mm)	21.25 (540)	19.25 (489)
D - Nominal diameter, in. (mm)	4.00 (100)	4.00 (100)
Number of inlet holes	8	8
Inlet hole diameter, in. (mm)	1.13 (29)	1.13 (29)
Discharge orifice diameter, in. (mm)	4.00 (100)	4.00 (100)
Discharge coupling diameter, in. (mm)	4.00 (100)	4.00 (100)
Filter surface area,† ft² (m²)	5.1 (0.50)	3.9 (0.40)
Flow area,** ft² (m²)	1.5 (0.15)	1.2 (0.12)

Flow Modulation Plate (Optional)

Number of discharge orifices	2
Discharge orifice diameter, in. (mm)	0.50 (12.7)
Number of air vents	1
Air vent diameter, in. (mm)	0.50 (13)

* Inlet hole height can vary depending on the configuration of the tank. Optimum hole height is 70% of the minimum liquid level.

† Filter area is defined as the total surface area of all individual Biotubes® within the filter cartridge.

** Flow area is defined as the total open area (or area of the mesh openings) of all the individual Biotubes within the filter cartridge.