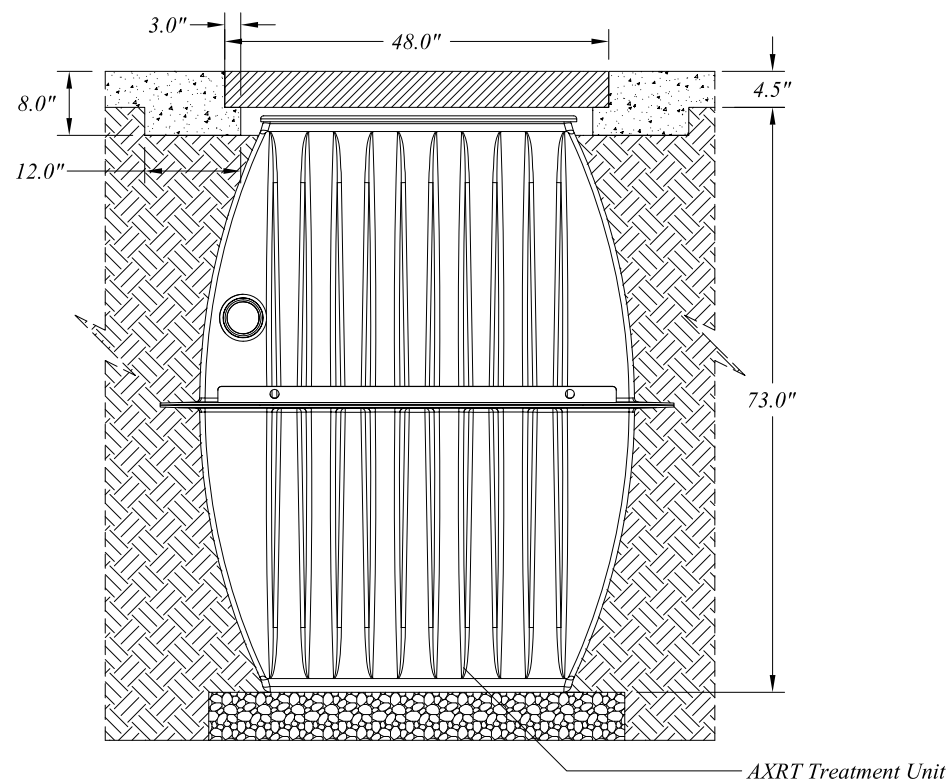
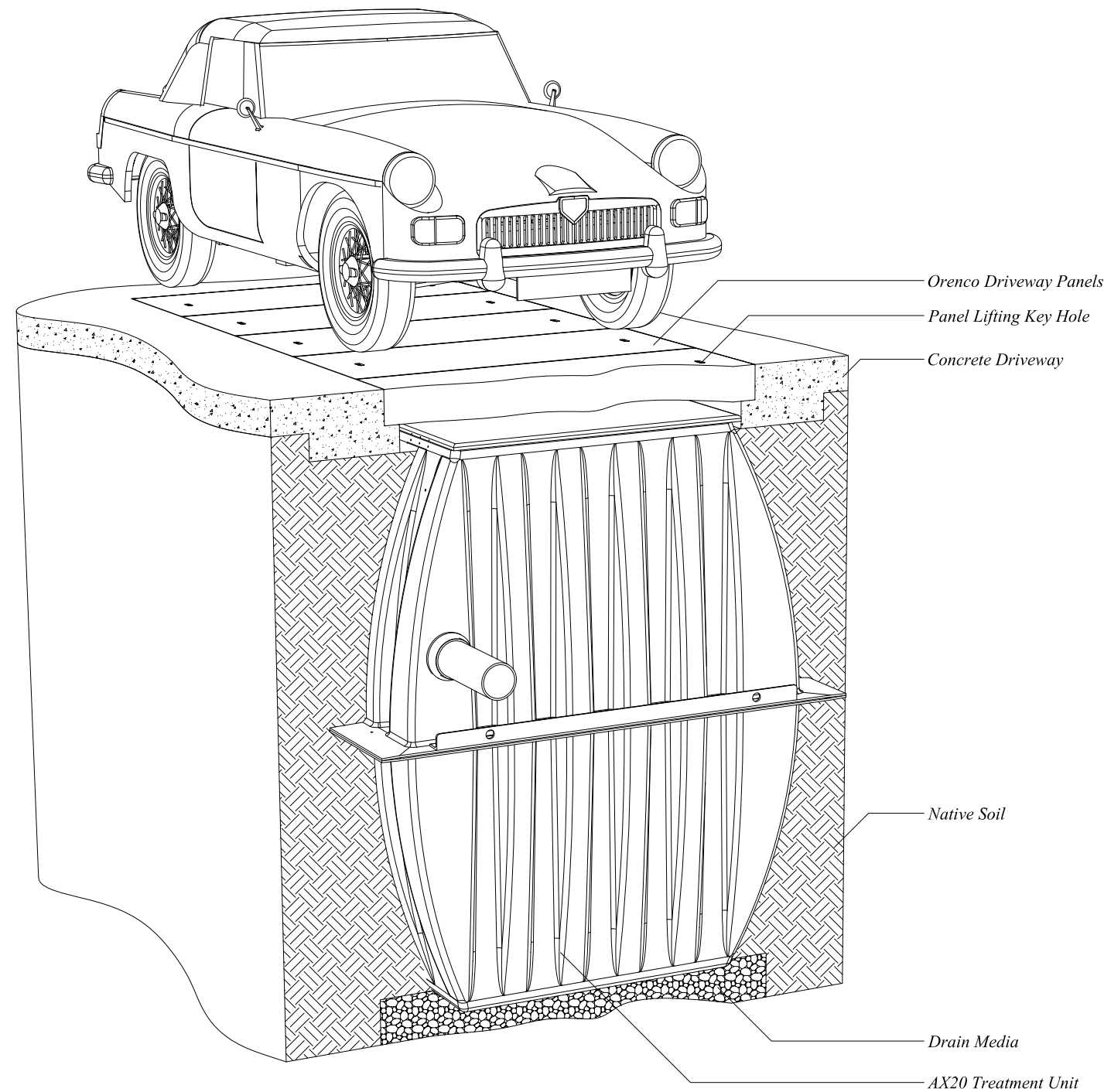


**Plan View**



**Typical Section View**



**Illustrative View**

Copyright © 2013  
Orenco Systems, Inc.

APPROVED:

DATE APPROVED:

Scale: NTS

Sheet: 1 OF 1

Rev: 1.0

Date: 7/16/13

**UNAUTHORIZED CHANGES & USES**

Orenco has prepared these drawings for use by the design engineer. Orenco will not be responsible or liable for unauthorized changes to or uses of these drawings. All changes to these drawings must be made in writing and must be approved by the design engineer.

PRODUCT CONFIGURATION DRAWINGS



Drawn By: CHRIS JORDAN

Drawn For:

Project:

AXRT Driveway Panels

Title:

System Details