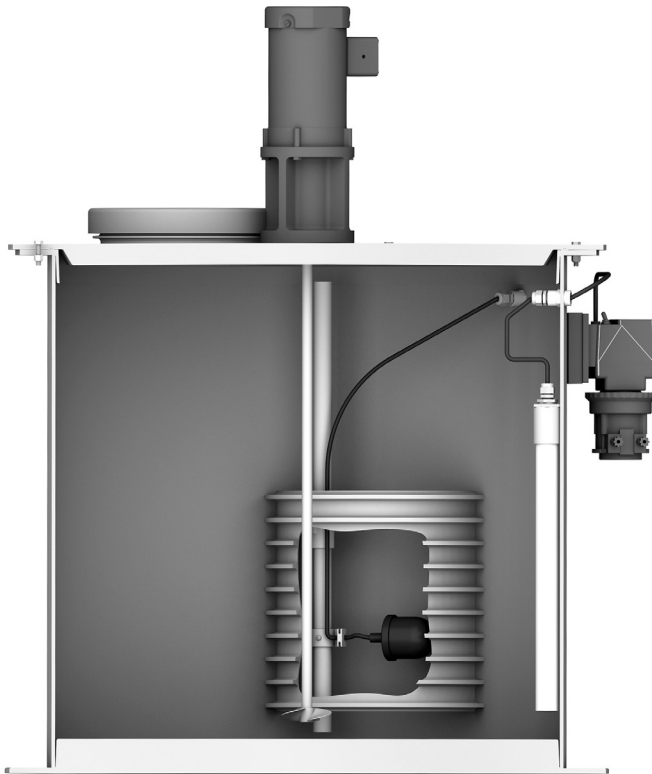


# Liquid Chemical Feeder

## Applications

Orenco® Liquid Chemical Feeders are designed for use with systems where chemical additives are needed to achieve target levels of wastewater contaminant removal.

In wastewater systems with insufficient alkalinity to meet nitrogen limits, Liquid Chemical Feeder are ideally suited for adding slurry mixtures of bases, such as soda ash.



Orenco LCF3636-AG, side cutaway view

## General

Orenco Liquid Chemical Feeders are manufactured from stainless steel, PVC, and fiberglass parts for durability and corrosion resistance. BG (below-ground) units are designed to withstand a wide range of temperatures and conditions. They can be partially buried or set at-grade. AG (above-ground) units are intended only for installation indoors, protected from the elements.

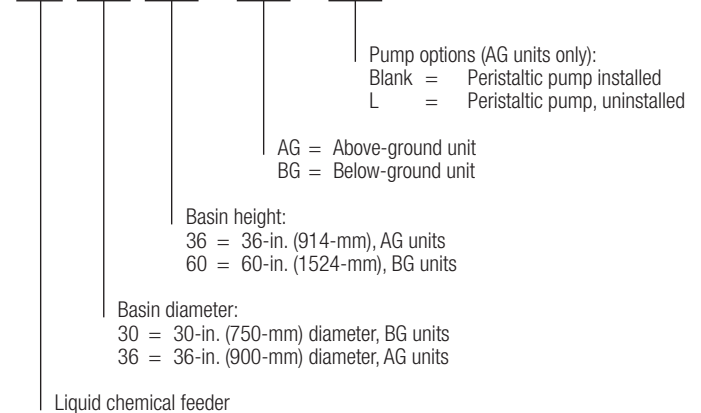
The unit features a 1/3 hp (0.25 kW), 1750 rpm, direct-drive mixer to keep slurries in suspension. The peristaltic pump transfers chemical slurries at a maximum rate of 2.19 gallons per hour (8.3 liters per hour) to an injection point.

## Standard Models

LCF3636-AG, LCF3636-AG-L, LCF3060-BG

## Product Code Diagram

LCF   -  -



## Materials of Construction

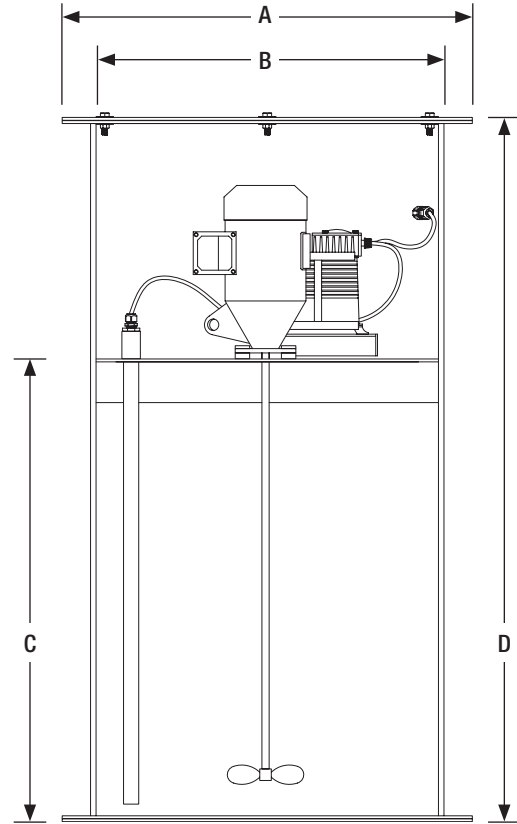
Basin lid	Fiberglass
Basin lid gasket	Urethane
Basin	Fiberglass
Basin bottom	Fiberglass
Mixer	Stainless steel
Mixer base	Fiberglass
Mixer blade	Stainless steel
Mixer shaft	Stainless steel
Pump tubing	Norprene®

**Specifications**

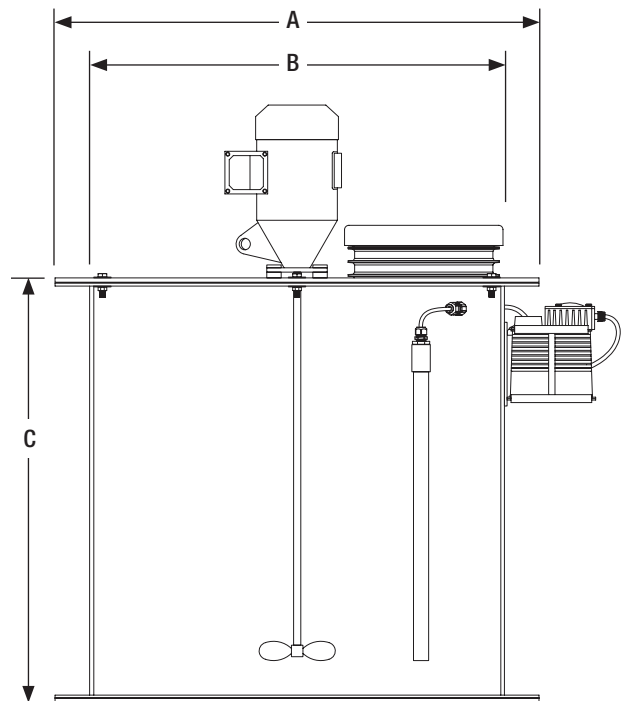
Dimensions, in. (mm)	LCF3636-AG	LCF3060-BG
A, nominal	42 (1067)	36 (914)
B, nominal	36 (914)	30 (750)
C	36 (914)	48 (1168)
D	n-a	60 (1829)
Liquid capacity, gal. (m <sup>3</sup> )	145 (0.55)	126 (0.48)
Liquid depth, in. (mm)	34 (863.6)	46 (1168)

**Performance**

Mixer motor voltage	115 VAC
Mixer amperage	2.23
Mixer horsepower (kW)	1/3 (0.25)
Peristaltic pump voltage	115 VAC
Peristaltic pump psi (bar)	50 (3.5)
Max pump flow rate, gal./hr (L/hr)	2.19 (8.3)



*Orenco LCF3060-BG, side dimensional view*



*Orenco LCF3636-AG, side dimensional view*