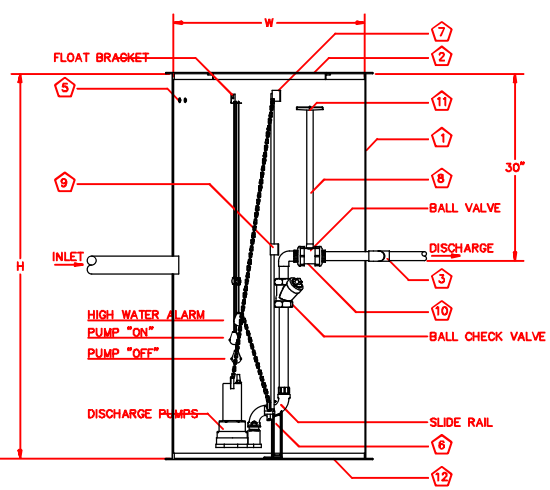


TOP VIEW



SIDE VIEW

LIFT STATION CRITICAL DIMENSIONS	
DIMENSION	PUMP STATION
OFF LEVEL	
ALARM LEVEL	
DISCHARGE	
BASIN HEIGHT	
BASIN DIAMETER	
HATCH CLEAR OPENING	

PUMP STATION			
ITEM #	PART NUMBER	DESCRIPTION	QTY
1	FB_____x_____	_____ FIBERGLASS BASIN, WITH FIBERGLASS ANTI-FLOTATION FLANGE	
2		1/4" ALUMINUM COVER WITH HATCH, HINGED, LOCKABLE	
3	DC_____	DISCHARGE CONNECTION,	
5	G_____	GROMMET, 1.25 FOR 1" ELECTRICAL CONDUIT	
6	BERS_____	BERS BASE ELBOW LIFT OUT, _____ PUMP ADAPTER	
7	UGRB	STAINLESS STEEL UPPER GUIDE RAIL BRACKET	
8	GR-SS-_____	GUIDE RAILS, STAINLESS STEEL, _____	
9	GR-SSB-_____	GUIDE RAIL BRACE	
10	DA_____BTU-_____	DISCHARGE ASSEMBLY, _____ WITH TRUE UNION	
11	_____	VALVE _____ BALL VALVE, SCHEDULE _____ VALVE EXTENSION _____ HANDLE	
12	FP-BC-_____	FIBERGLASS PLATE FOR _____ BASE ELBOW	

Copyright © 2013
Oreco Systems, Inc.

Unauthorized Changes & Uses
Oreco has prepared these drawings for use by the design engineer. Oreco will not be responsible or liable for unauthorized changes to or uses of these drawings. All changes to these drawings must be made in writing and must be approved by the design engineer.

Product Configuration Drawings



Drawn By: CSJ
Drawn For:

Project: Lift Station
Title: Details

Scale: nts
Sheet: 1 OF 1
Rev: 1.0 Date: 2/12/13