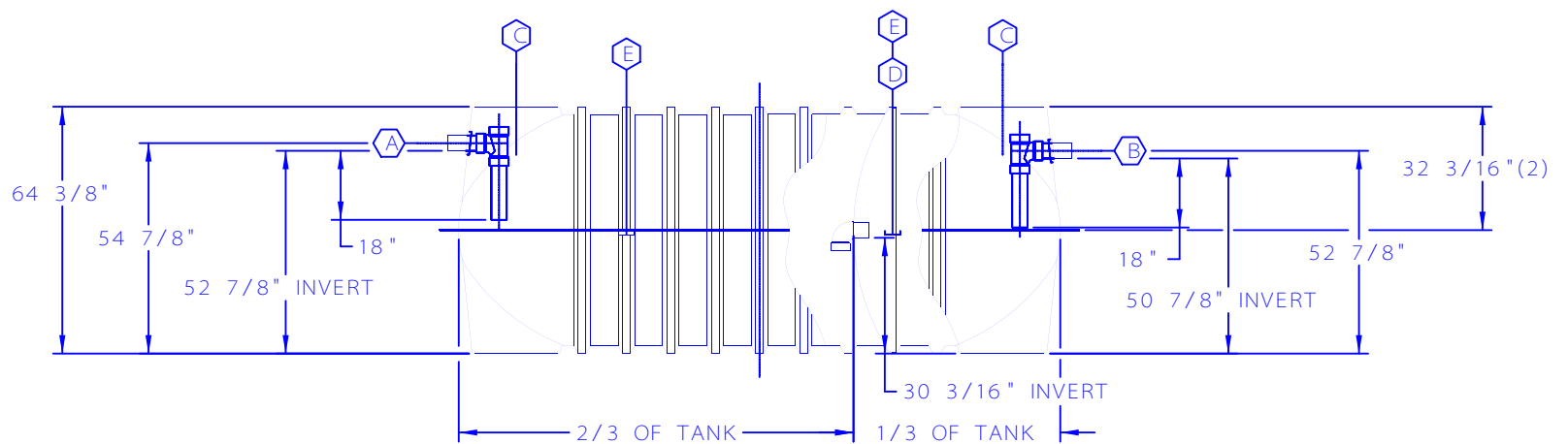


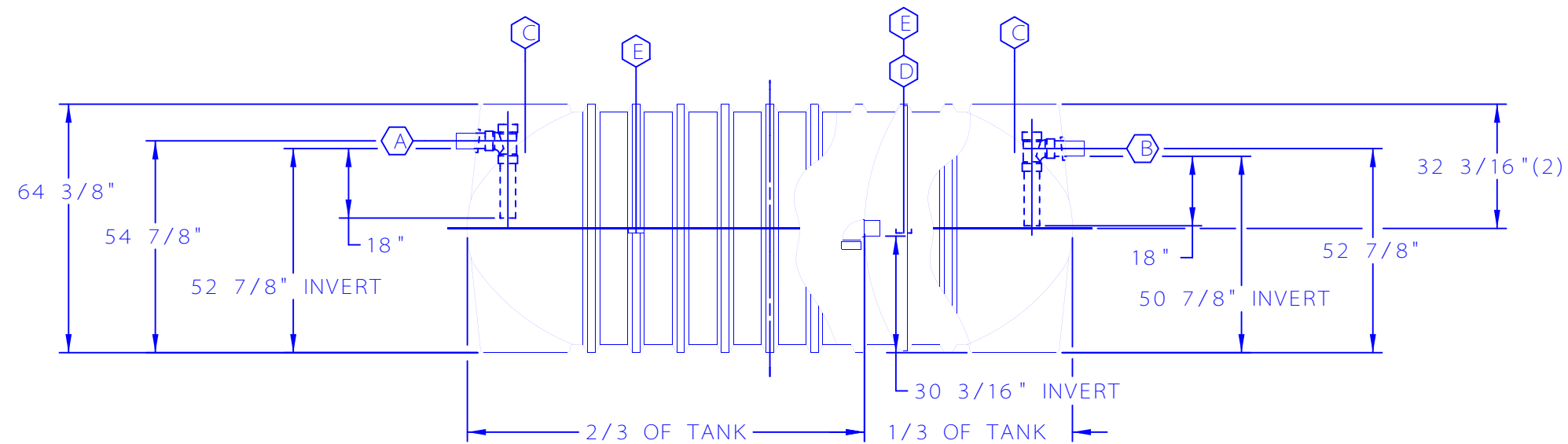
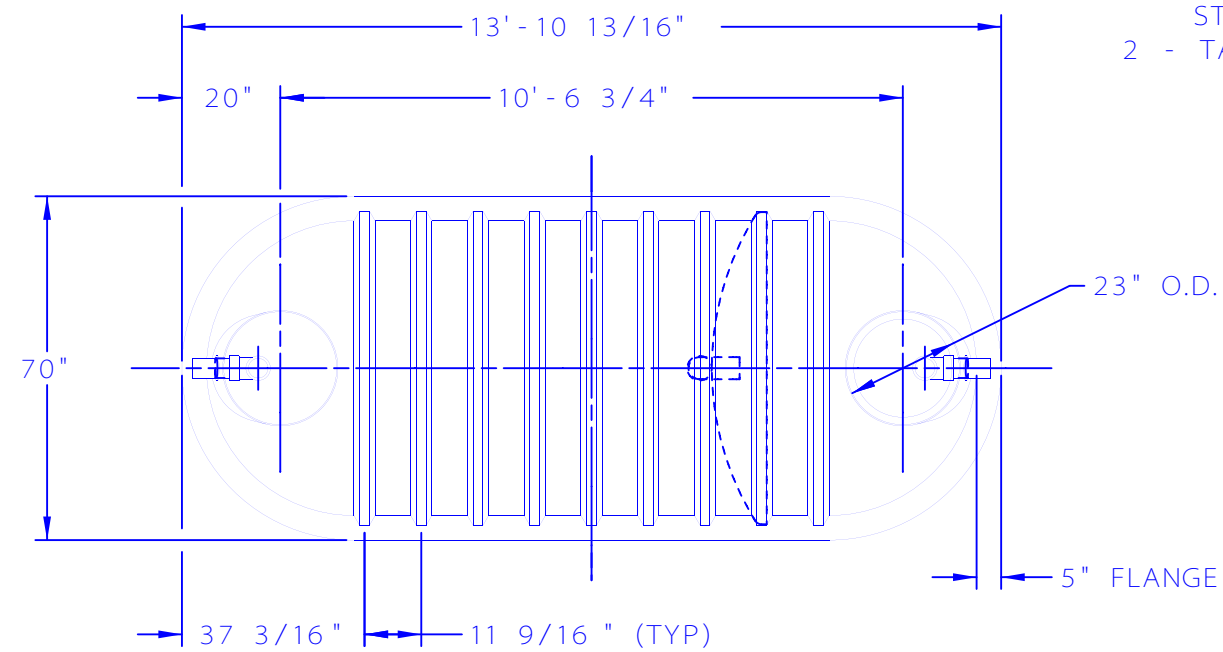
NOTE:

- 1 - 23"O.D. ADAPTER SURFACES ACCEPT STANDARD 24" I.D. FRP OR PVC RISERS.
- 2 - TANK WILL HAVE IAPMO LABEL.



NOTE:

- 1 - 23"O.D. ADAPTER SURFACES ACCEPT STANDARD 24" I.D. FRP OR PVC RISERS.
- 2 - TANK WILL HAVE IAPMO LABEL.



(A)	4"DIA SCH 40 PVC INLET PIPE WITH INTERNAL SANITARY TEE & PIPES
(B)	4"DIA SCH 40 PVC OUTLET PIPE WITH INTERNAL SANITARY TEE & PIPES
(C)	23"O.D. x 2"HIGH RISER ADAPTER SURFACE
(D)	BAFFLE WALL WITH 4"DIA SCH 40 PVC STREET ELBOW SINGLE CROSS-OVER & 3"DIA VENT HOLE
(E)	LIFTING LUG (2 ON EACH SIDE OF TANK, 4 LUGS TOTAL)

XERXES[®]
a zcl company

TITLE RST-II 1500
IAPMO - Z1000
(SEPTIC)

DATE 1-12 DR. NO. S10-957.04