

# KG3

## 3HP High Flow Grinder Pump, 1 or 3 Phase

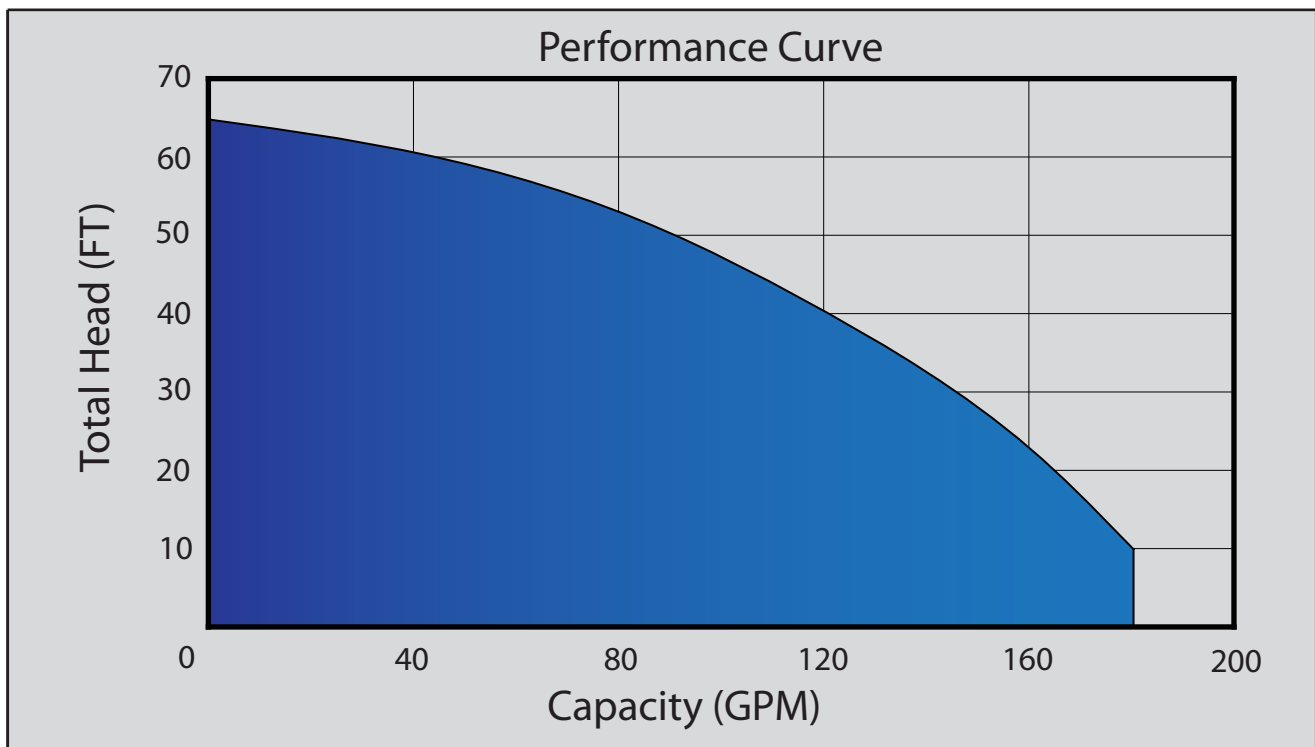


The KEEN PUMP **KG3** series centrifugal grinder pumps easily handle residential, commercial or industrial sanitary waste, reducing it to a fine slurry. The **KG3** pump is designed for use in pressure sewer applications or any piping network.

The recessed vortex impeller design of the **KG3** grinder pump provides trouble-free, non-overloading operation over the entire performance curve. The modular design provides quick and easy serviceability. The hardened stainless steel grinder assembly provides many years of dependable operation.

The **KG3** series pump features:

- Interchangeable into Competitor Installations
- Dual Silicon-Carbide Mechanical Shaft Seals
- Pressed-In Motor with Internal Overload Protection
- 3-Bearing Shaft Support (Upper / Lower / Sleeve)
- Internal Moisture Detection
- Strong Motor, 1-Phase (208/230) Volt or 3-Phase (208/230/460) V



## Features and Benefits

### 1. Watertight Cable Entrance

Heavy-duty molded compression grommet protects outer cord jacket. Epoxy-filled inner cord cap provides anti-wicking moisture protection to the motor even if power cable is cut or damaged.

### 2. Modular Pump Design

Commonality of parts across the Keen product line minimizes the amount of parts required for servicing. Heavy-duty ASTM A48, Class 30 cast iron components.

### 3. Strong Motor

Powerful high-torque motor for reliable pump operation. Pressed stator securely holds motor and efficiently transfers heat. Class F insulation with overload protection in oil-filled chamber for cool operation and long motor life.

### 4. 3-Bearing Support

Motor / Pump shaft securely held with upper and lower ball bearing plus additional sleeve bearing in lower seal chamber. Long 50,000 hour B-10 bearing life.

### 5. Double Mechanical Seal Protection

Dual silicon carbide mechanical shaft seals provide twice the moisture protection for the motor. Dual seals are housed in a secondary oil-filled seal chamber. Tougher silicon carbide seals better handle sand, grit and abrasive materials.

### 6. Moisture Detection

Seal leak probe signals alarm in control panel for scheduled maintenance.

### 7. Non-Overloading Hydraulic Design

The recessed centrifugal impeller allows 100% performance curve operation from shut-off to maximum flow without damage to the pump or system. The recessed vortex impeller is out of the passageway of fluid flow, eliminating concerns of blockage or wear.

### 8. Proven Grinder Assembly

Hardened (Rockwell 56-60) stainless steel grinder assembly has 30+ years proven field experience. The reversible grinder ring and grinder impeller effectively reduce solids into a fine slurry, easily passable in a piping system without concerns of clogging. Highly efficient 17,250 cuts/second.

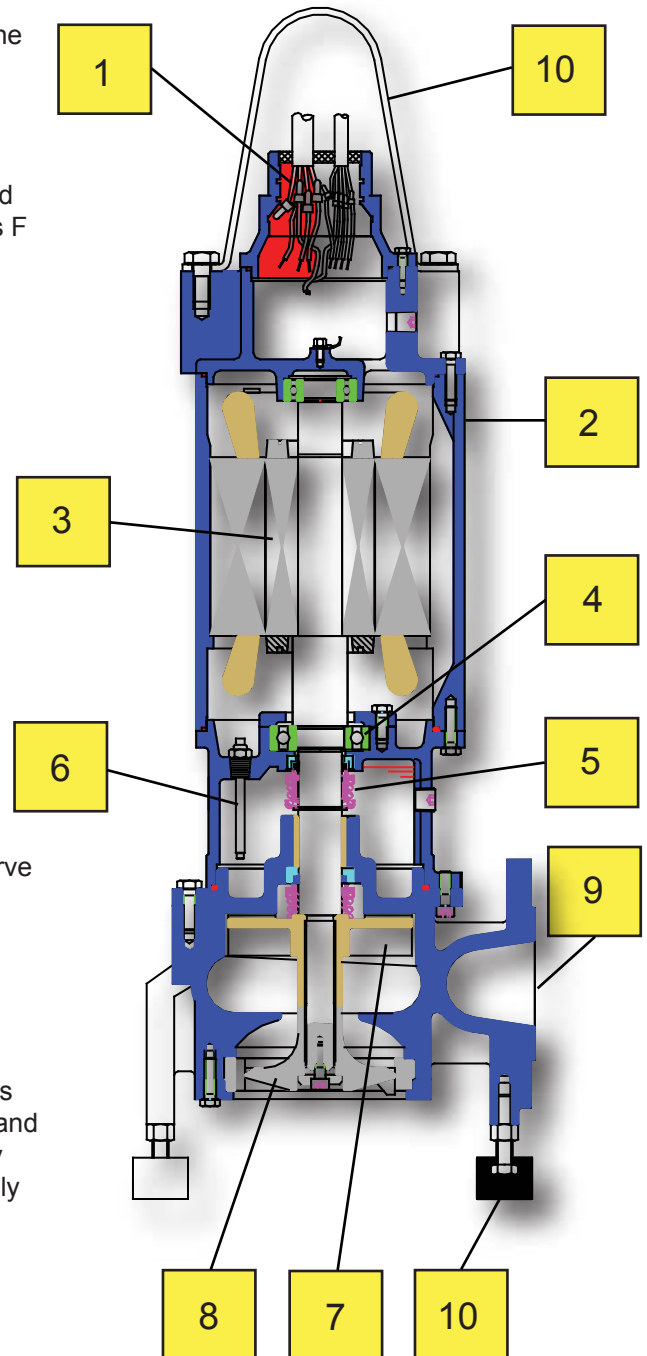
### 9. Versatile Flange Connection

Combination 2-1/2" and 3" horizontal flange. Industry-standard ANSI Class 125 dimensions.

### 10. Accessories

Stainless steel lifting handle included. Anti-vibration rubber mounting feet optional.

## 3HP Grinder Pump High Flow KG3



 **KEEN PUMP CO.**  
Your Premier Pump Choice

471E State Route 250 East · Ashland, Ohio 44805  
419.207.9400 fax 419.207.8031  
www.keenpump.com

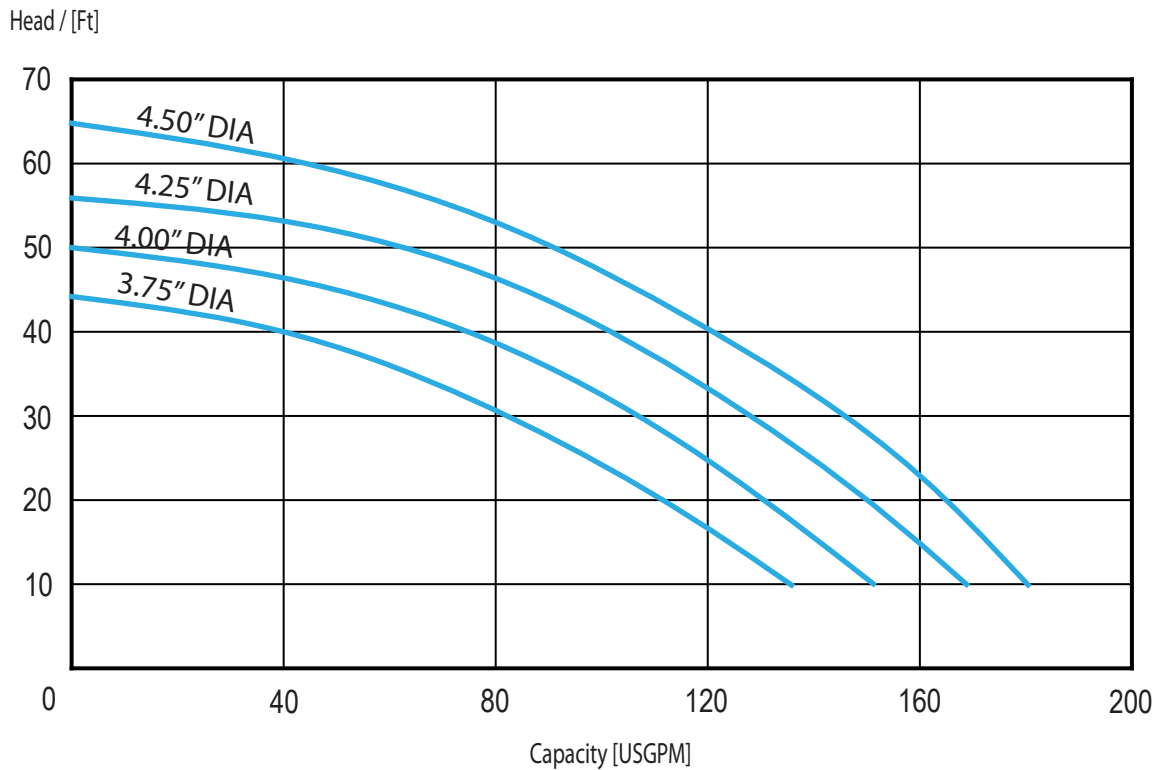


**KEEN PUMP CO.™**

**3HP SUBMERSIBLE GRINDER PUMP**

<b>GENERAL</b>		<b>KG3</b>		<b>MOTOR DATA</b>			
Pump Model				Load	1/1	3/4	1/2
<b>PUMP DATA</b>				Motor Efficiency (%)	85	87	86
Date	02/01/2014		HP / Power Supply	3HP / 1 $\phi$ , 208/230V, 60 Hz			
Discharge Flange	2-1/2 & 3" ANSI Horizontal		Run Amps / Start Amps	37A/80A@208V		34A/72A@230V	
Grinder Ring	25 Slots		Poles / Rated Speed	2 P / 3450 rpm			
Impeller Type / Std. Dia.	Recessed / 4.50"		Insulation Class	F Class			
<b>Single Phase</b>				Start Relay	Keen Model RE-5		
				Start Capacitor	274-324 mfd, 250 Volt		
				Run Capacitor	30 mfd, 370 Volt		

**PERFORMANCE CURVE**



<i>Model</i>	<i>Phase</i>	<i>Volts</i>
KG3-01	1	208
KG3-21	1	230

\* Performance with clear water and ambient temp 20°C (68°F)

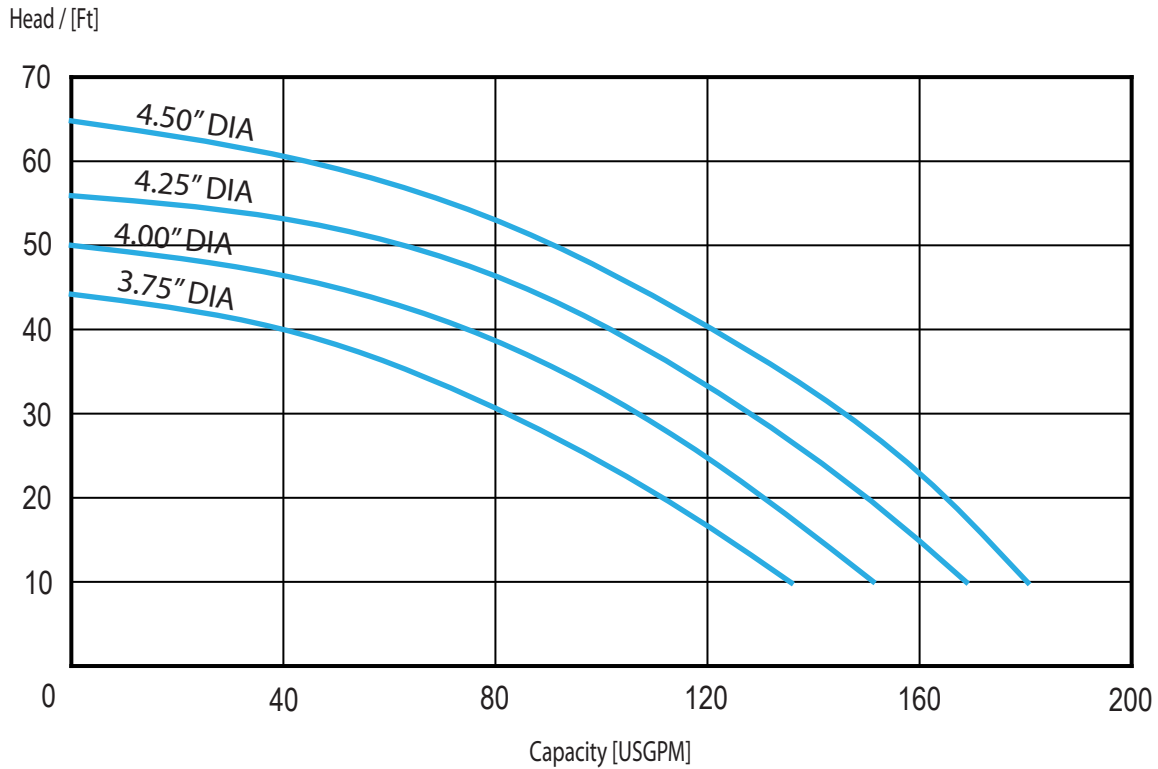


**KEEN PUMP CO.™**

**3HP SUBMERSIBLE GRINDER PUMP**

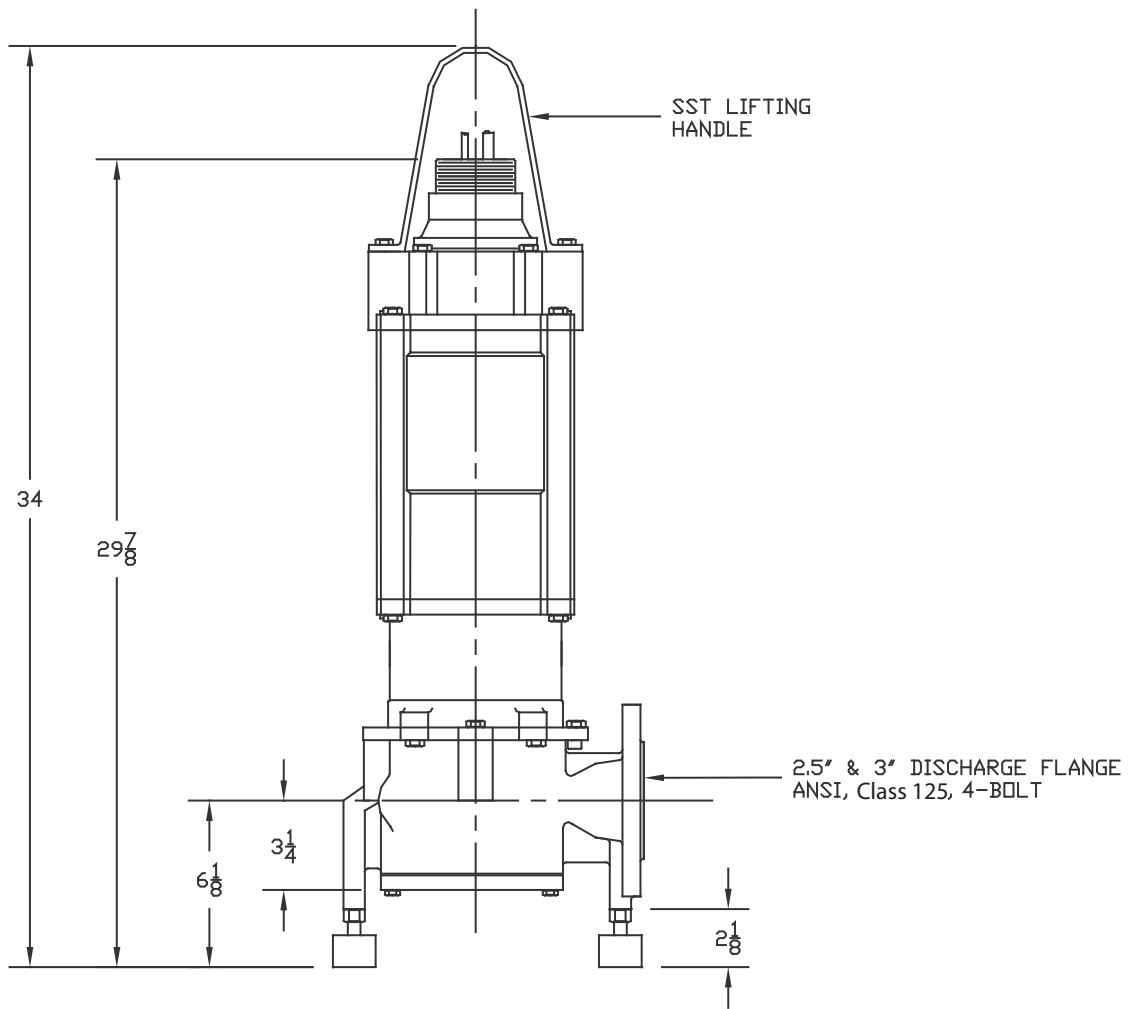
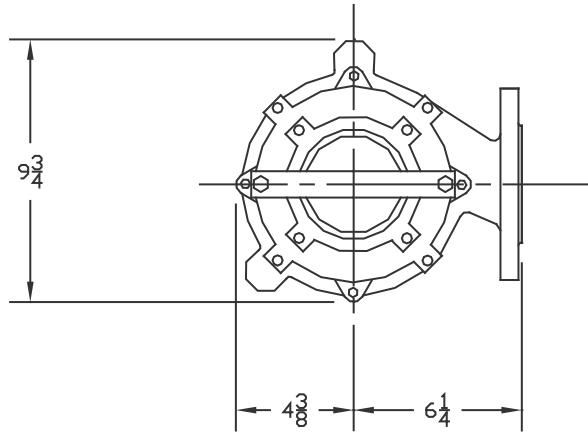
<b>GENERAL</b>		<b>KG3</b>		<b>MOTOR DATA</b>	
Pump Model		Load	1/1	3/4	1/2
<b>PUMP DATA</b>		Motor Efficiency (%)	85	87	86
Date	02/01/2014	HP / Power Supply	3HP / 3 $\phi$ , 208/230/460V, 60 Hz		
Discharge Flange	2-1/2 & 3" ANSI Horizontal	Poles / Rated Speed	2 P / 3450 rpm		
Grinder Ring	25 Slots	Insulation Class	F Class		
Impeller Type / Std. Dia.	Recessed / 4.50"				
<b>Three Phase</b>		Run / Start Amps 208V	21 A / 38 A		
		Run / Start Amps 230V	18 A / 38 A		
		Run / Start Amps 460V	9 A / 38 A		

**PERFORMANCE CURVE**



<i>Model</i>	<i>Phase</i>	<i>Volts</i>
KG3-03	3	208
KG3-23	3	230
KG3-43	3	460

\* Performance with clear water and ambient temp 20°C (68°F)



		KEEN PUMP CO. 471E ST ROUTE 250 EAST ASHLAND, OHIO 44805		PHONE: 419-207-9400 FAX: 419-207-8031	
<b>TITLE</b> 3-7.5HP HIGH FLOW/HIGH HEAD GR. PUMP DIMENSIONS					
<b>SCALE</b> NTS		<b>DWG. #</b> KN-28		<b>REV.</b> -	
<b>DWG. BY</b> SE	<b>DATE</b> 10/13/12				