

30", 36", 42" Fiber Reinforced Composite Manholes

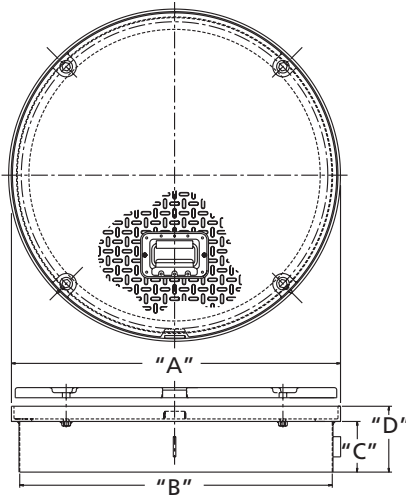
EBW's SAFE-LITE FRC (Fiber Reinforced Composite) manhole covers are ultra lightweight. The composite construction has been engineered and tested to exceed the D.O.T. H20 load ratings. These lightweight covers are approximately 1/3 the weight of steel covers of the same size. The lightweight covers dramatically reduce injury potential during cover removal. SAFE-LITE FRC manholes are available in 30", 36", & 42" sizes. The Slide Action Cover further reduces the chance of injury by eliminating the need to bend down to remove or replace the cover.



30" manhole with non-bolted cover



36" manhole with bolted cover



42" manhole with slide on cover

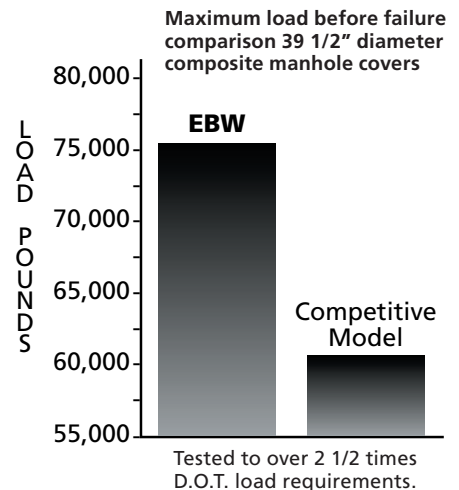


"Slide On" manhole cover (Less Strain, No Pain)

NOMINAL SIZE	DIM. "A"		DIM. "B"		DIM. "C"		DIM. "D"	
	IN.	CM.	IN.	CM.	IN.	CM.	IN.	CM.
30"	32.75	83.19	31.12	79.38	10.50	26.67	12.00	30.48
30"	32.75	83.19	31.12	79.38	22.50	57.15	24.00	60.96
36"	40.25	102.24	38.62	98.09	10.50	26.67	12.00	30.48
42"	45.00	114.30	43.38	110.19	6.50	16.51	8.00	20.32
42"	45.00	114.30	43.38	110.19	10.50	26.67	12.00	30.48
42"	45.00	114.30	43.38	110.19	16.50	41.91	18.00	45.72
42"	45.00	114.30	43.38	110.19	22.50	57.15	24.00	60.96

Features:

- **Exceeds D.O.T. Requirements** - SAFE-LITE FRC covers have been engineered for high-strength and tested to over 50,000 lbs. load (2-1/2 times D.O.T. requirements) without failure.
- **Fatigue Resistant** - SAFE-LITE FRC covers have undergone a 30 year life simulation test, with 11,000 loading cycles of 20,000 pounds each, with little reduction in load bearing capabilities.
- **Lightweight** - The FRC composite covers weigh almost 1/3 less than the steel covers. SAFE-LITE FRC covers range from 45 to 95 pounds as opposed to steel covers ranging from 150 to 220 pounds. Lighter weight cover reduces back injuries, increases ease of access to manhole, and decreases shipping costs.
- **Skirt ring** - made of 1/4" rolled angle iron and skirt is 14 gauge steel - built to handle the heaviest traffic.
- **"Slide Action Cover"** - The cover is removed and replaced by placing the Slide Action Handle into the plate on the cover. You then simply slide the cover on and off. No more bending down to remove the cover.
- **Cover Options** - EBW offers bolted, non bolted, and slide on models.
- **Optional Kevlar® Covers** - We have added a layer of Kevlar to our popular FRC covers for Extra Wear Protection at heavy traffic sites. Available for 36" and 42" models only.



Manholes w/ Safe-Lite Fiber Reinforced Composite (FRC) Covers

12" Round FRC Covers

PART	COVER OD*	DESCRIPTION
781-302-01	13"	FRC - Black
781-302-07	13"	FRC - Orange

18" Manholes - Round with FRC Covers

PART	COVER OD*	DESCRIPTION
781-418-08	19"	8 1/2" skirt
781-418-12	19"	12" skirt
781-418-18	19"	18" skirt

Manholes come standard with 781-304 black or gray cover. Colored FRC covers can be ordered in lieu of black cover for additional \$16.00

18" FRC Covers

PART	COVER OD*	DESCRIPTION
781-304-01	19"	Black
781-304-02	19"	White
781-304-03	19"	Red
781-304-04	19"	Blue
781-304-05	19"	Yellow
781-304-06	19"	Gray
781-304-07	19"	Orange

30" Manholes - Round with Safe-Lite FRC Covers

PART	COVER OD*	DESCRIPTION
781-430-12BLK	32"	Bolt Down Cover Black with 12" skirt
781-430-12GRY	32"	Bolt Down Cover Grey with 12" skirt
781-430-13BLK	32"	Non Bolted Cover Black with 12" skirt
781-430-13GRY	32"	Non Bolted Cover Grey with 12" skirt

30" Covers - Safe-Lite FRC

PART	COVER OD*	DESCRIPTION
781-459-01	32"	Bolt Down Cover - Black
781-459-06	32"	Bolt Down Cover - Grey
781-490-01	32"	Non-Bolted - Black
781-490-06	32"	Non-Bolted - Grey

36" Manholes - Round with Safe-Lite FRC Covers

PART	COVER OD*	DESCRIPTION
781-433-12BLK	39.5"	Bolt Down Cover Black with 12" skirt
781-433-12GRY	39.5"	Bolt Down Cover Grey with 12" skirt
781-433-13BLK	39.5"	Non Bolted Cover Black with 12" skirt
781-433-13GRY	39.5"	Non Bolted Cover Grey with 12" skirt
781-485-12BLK	39.5"	Slide Action Cover Black with 12" skirt
781-485-12GRY	39.5"	Slide Action Cover Grey with 12" skirt

36" Covers - Safe-Lite FRC

PART	COVER OD*	DESCRIPTION
781-456-01	39.5"	Bolted Cover - Black
781-456-06	39.5"	Bolted Cover - Grey
781-448-01	39.5"	Non Bolted - Cover Black
781-448-06	39.5"	Non Bolted - Cover Grey
781-482-01	39.5"	Slide Action - Cover Black
781-482-06	39.5"	Slide Action - Cover Grey

36" Manholes with Kevlar Composite Covers

PART	COVER OD*	DESCRIPTION
780-492-NB	39.5"	36" Non-bolt, Kevlar composite cover, 12" skirt
780-492-BD	39.5"	36" Bolt down, Kevlar composite cover, 12" skirt

36" Kevlar Composite Covers - Safe-Lite FRC

PART	COVER OD*	DESCRIPTION
780-456-01	39.5"	Kevlar Bolt Down - Black
780-448-01	39.5"	Kevlar Non Bolted - Black

Manholes w/ Safe-Lite Fiber Reinforced Composite (FRC) Covers

42" Manholes - Round with Safe-Lite FRC Covers

PART	COVER OD*	DESCRIPTION
781-443-12BLK	44	Bolt Down Cover Black w/ 12" skirt
781-443-12GRY	44	Bolt Down Cover Grey w/ 12" skirt
781-443-18BLK	44	Bolt Down Cover Black 18" skirt
781-443-18GRY	44	Bolt Down Cover Grey w/ 18" skirt
781-444-12	44 x 52	Bolt Down Cover Black w/ 42" x 8" top skirt and 52" x 14" bottom skirt
781-444-13	44 x 52	Non Bolted Cover Black w/ 42" x 8" top skirt and 52" x 14" bottom skirt
781-443-13BLK	44	Non Bolted Cover Black w/ 12" skirt
781-443-13GRY	44	Non Bolted Cover Grey w/ 12" skirt
781-486-12BLK	44	Slide Action Cover Black w/ 12" skirt
781-486-12GRY	44	Slide Action Cover Grey w/ 12" skirt

* OD = Outside Diameter