

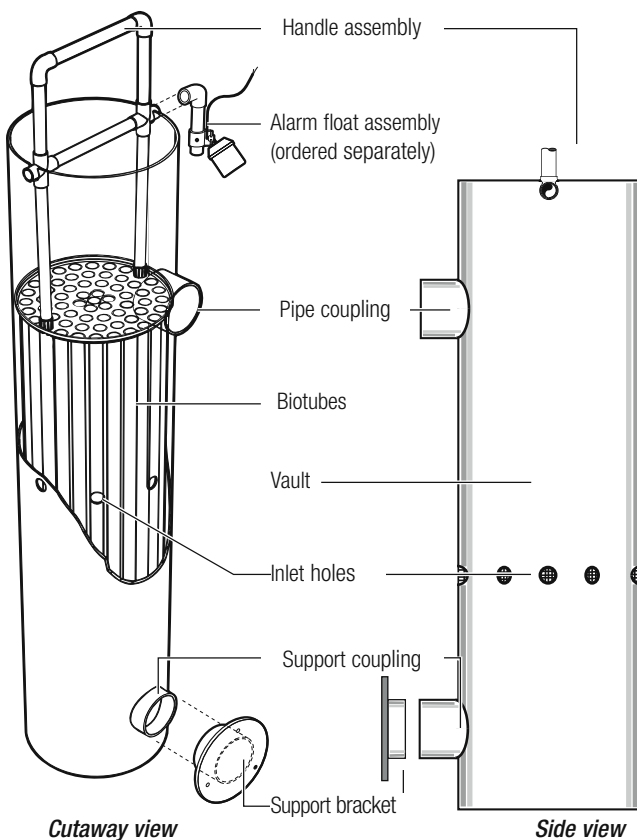
8-in. to 15-in. Dia. Biotube Effluent Filters

Applications

Orenco® 8-inch to 15-inch Biotube® Effluent Filters are designed to remove solids from effluent leaving commercial septic tanks. They can be used in new and existing tanks.

General

Orenco® 8-inch to 15-inch Biotube® Effluent Filters* are used to improve the quality of effluent exiting a commercial septic tank. The Biotube cartridge fits snugly in the vault and is removable for maintenance, the handle assembly snaps into the notches in the top of the vault, and the tee handle can be extended for easy removal of the cartridge. A “base inlet” model (see p. 2) is available for low-profile tanks. An optional slide rail system, available on larger models, simplifies installation and provides tank access for servicing.

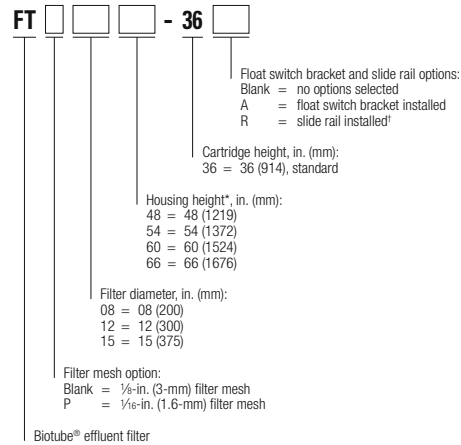


* Orenco® Biotube® Effluent Filters are covered under multiple U.S. and international patents.

Standard Models

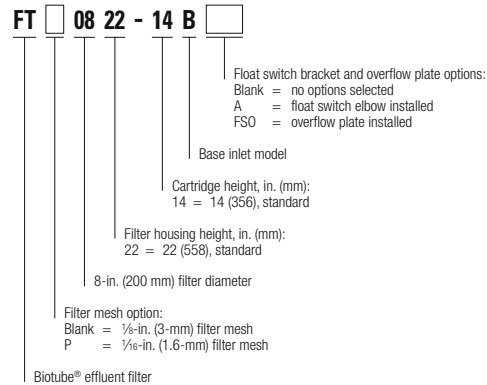
FT0854-36, FT0822-14B, FT1254-36, FT1554-36, FT1254-36AR

Product Code Diagrams



* Minimum liquid level (MLL) information:
48-in. (1219-mm) housing for MLL of 37-46 in. (940-1168 mm)
54-in. (1372-mm) housing for MLL of 47-63 in. (1194-1600 mm)
60-in. (1524-mm) housing for MLL of 64-84 in. (1626-2134 mm)
66-in. (1676-mm) housing for MLL of 85-112 in. (2159-2845 mm)

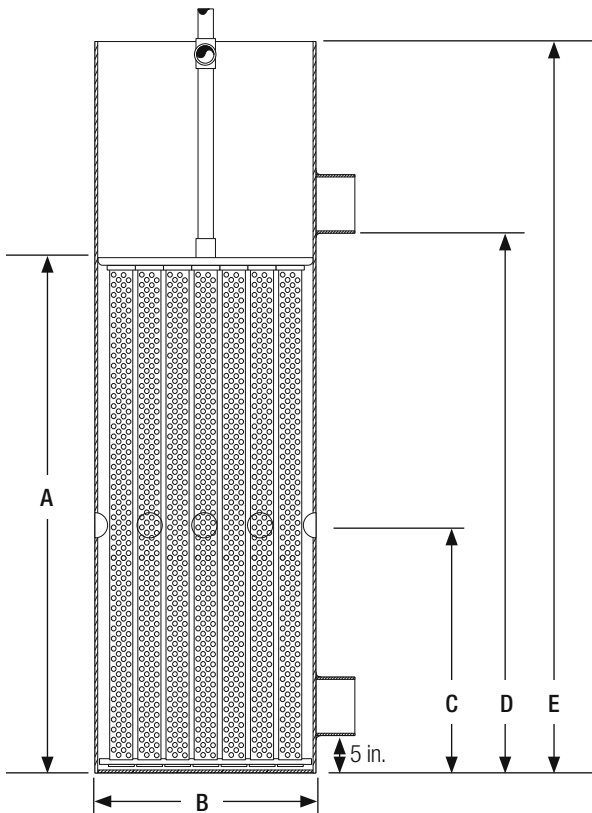
[†] For 12- and 15-in. (300- and 375-mm) only; use slide rail option when only one access is available for the filter chamber



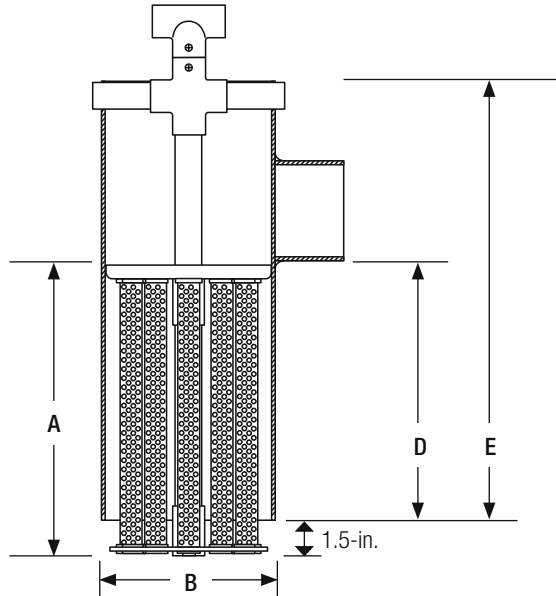
Materials of Construction

Vault	PVC
Pipe coupling	PVC
Handle components	PVC
Support coupling and bracket	PVC
Biotube® cartridge	Polypropylene and polyethylene

Note: Support coupling and support bracket are available on 12-inch and 15-inch filters only.

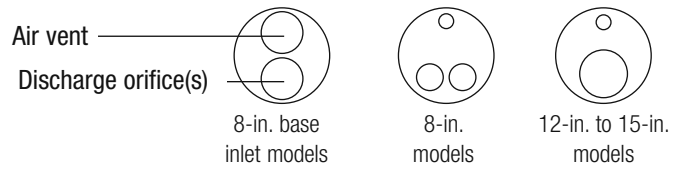


Standard model



Base inlet model

Air vents and discharge orifices



Specifications

Model	FT0854-36	FT0822-14B	FT1254-36	FT1254-36AR	FT1554-36
A - Cartridge height, in.	36	14	36	36	36
B - Nominal diameter, in.	8	8	12	12	15
C - Inlet hole height*, in.	22	n/a†	22	22	22
D - Vault base to invert height, in.	38	13	38	38	38
E - Vault height	54	22	54	54	54
Number of inlet holes	8	n/a	8	8	8
Inlet hole diameter, in.	1.375	n/a	1.375	1.375	1.375
Number of discharge orifices	2	1	1	1	1
Discharge orifice diameter, in.	1.125	1.750	2	2	2
Pipe coupling diameter, in.	4	4	4	4	4
Number of air vents	1	1	1	1	1
Air vent diameter, in.	0.75	1.750	0.75	0.75	0.75
Filter surface area‡, ft²	14.6	6.0	30.0	30.0	50.5
Flow area**, ft²	4.4	1.8	9.0	9.0	15.2

* Inlet hole height can vary depending on the configuration of the tank. Optimum hole height is 65-75% of the minimum liquid level.

† No inlet holes required, because influent enters between the vault base and the bottom of the filter cartridge.

‡ Filter area is defined as the total surface area of all individual Biotubes® within the filter cartridge.

** Flow area is defined as the total open area (area of the mesh openings) of all the individual Biotubes within the filter cartridge.