

CROSS-OVER & BAFFLE DETAIL

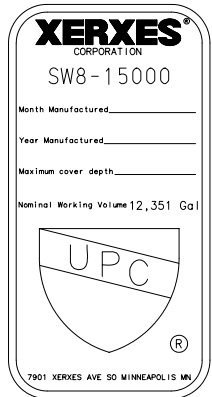
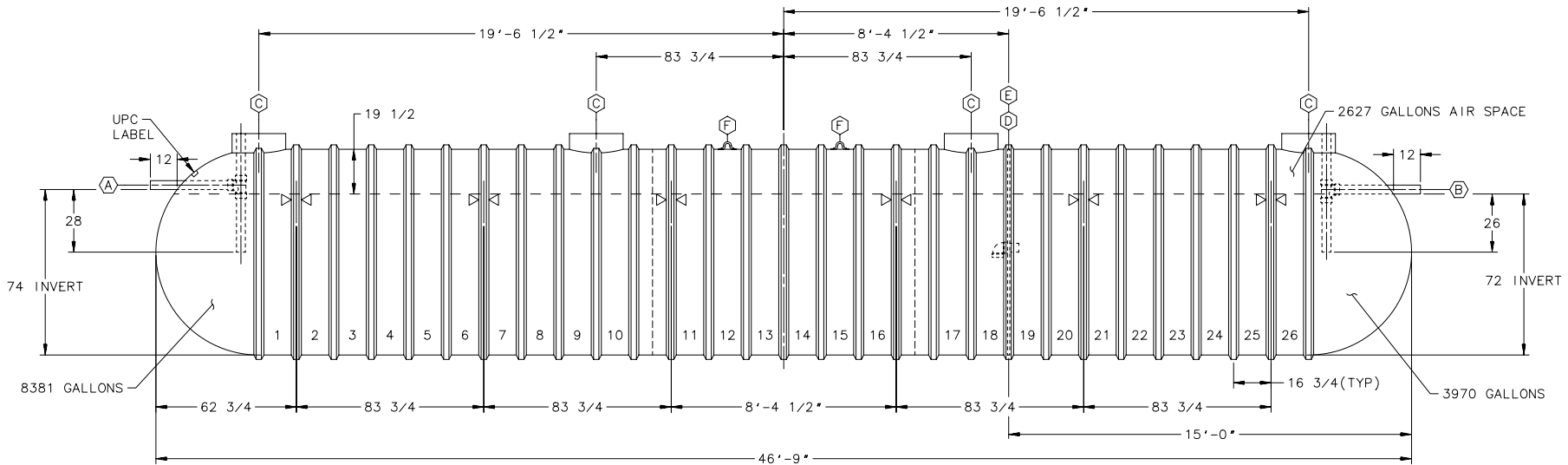
NOTE:

1 - UPC LABEL IS LAMINATED ONTO INLET SIDE OF TANK.

I hereby certify that this plan, specification or report was prepared by me or under my direct supervision and that I am a duly Registered Professional Engineer under the laws of the State of Minnesota

John R. Burwell

Date _____ Reg. No. 24679



| | |
|-----|---|
| (A) | 4"DIA, 6"DIA OR 8"DIA SCH 40 PVC INLET PIPE WITH INTERNAL SANITARY TEE & PIPES |
| (B) | 4"DIA, 6"DIA OR 8"DIA SCH 40 PVC OUTLET PIPE WITH INTERNAL SANITARY TEE & PIPES |
| (C) | RISER PIPE, FOR 24*(NOMINAL) ACCESS OPENING |
| (D) | FULL PLATE BAFFLE WITH 1-4 5/8" DIA HOLE (45 3/4" INVERT) & 4" DIA VENT HOLE |
| (E) | 4"DIA SCH 40 PVC CROSS-OVER ELBOW & PIPE |
| (F) | LIFTING LUG |
| ☒ | HOLD DOWN STRAP LOCATION |

| | | | |
|---|--|-----|---------|
| 3 | MOVE UPC LABEL | DAG | 6-7-06 |
| 2 | ADD ACCESS OPENING TO RIB 9/10 & 17/18 | DAG | 6-7-06 |
| 1 | ADD UPC LABEL & CAPACITY DATA | DAG | 4-26-06 |
| <p>XERXES CORPORATION</p> <p>DR: _____ DATE: 4-4-06 TITLE: 8'DIA SWT CAP. 15,000 GALLONS IAPMO</p> <p>APPRO'D: _____ DATE: 4-12-06 DR: DIBS DR: HANSEN REV: 03 SCALE: 1/2"=1'-0" NEXT ASS'Y: _____ SHEET 1 OF 1</p> | | | |