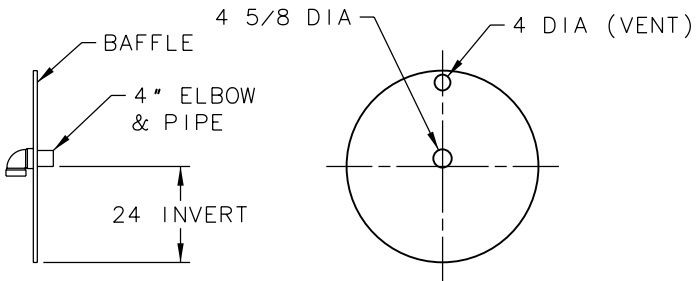


NOTE:

1 - UPC LABEL IS LAMINATED ONTO INLET SIDE OF TANK.

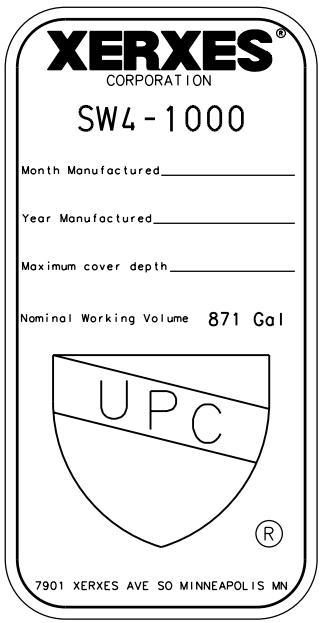
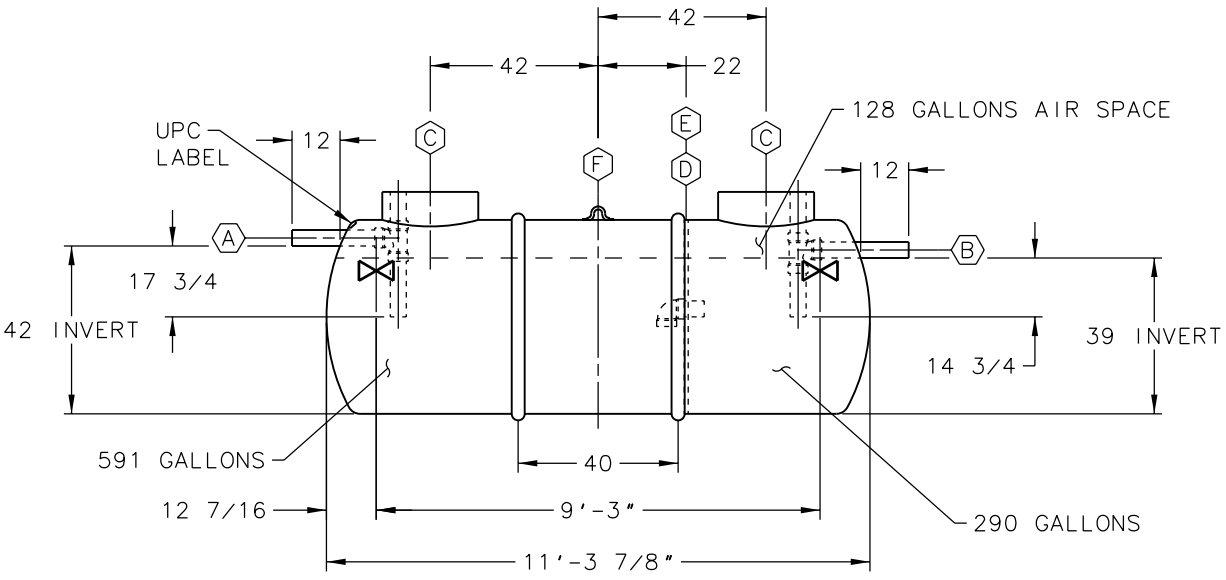


I hereby certify that this plan, specification or report was prepared by me or under my direct supervision and that I am a duly Registered Professional Engineer under the laws of the State of Minnesota

_____ John R. Burwell

Date _____ Reg. No. 24679

CROSS-OVER & BAFFLE DETAIL



(A)	4" DIA SCH 40 PVC INLET PIPE WITH INTERNAL SANITARY TEE & PIPES
(B)	4" DIA SCH 40 PVC OUTLET PIPE WITH INTERNAL SANITARY TEE & PIPES
(C)	RISER PIPE, FOR 24" (NOMINAL) ACCESS OPENING
(D)	FULL PLATE BAFFLE WITH 1-4 5/8" DIA HOLE (24" INVERT) & 4" DIA VENT HOLE
(E)	4" DIA SCH 40 PVC CROSS-OVER ELBOW & PIPE
(F)	LIFTING LUG
⊗	HOLD DOWN STRAP LOCATION

0		REVISION DESCRIPTION				BY DATE
CHK'D	DATE	STD'S	DATE	APPR'D	DATE	
-	-	-	-	-	-	
XERXES CORPORATION						
DRN	DATE	TITLE				
DAG	11-25-08	4" DIA SWT				
CHK'D	DATE	CAP. 1,000 GALLONS				
JWL	12-2-08	IAPMO				
STD'S	DATE	DR. SIZE	DR. NUMBER	REV		
APPR'D	DATE	C	633-804	00		
JB	12-2-08					
SCALE: 1/2" = 1'-0"		NEXT ASS'Y: -		SHT 1 OF 1		