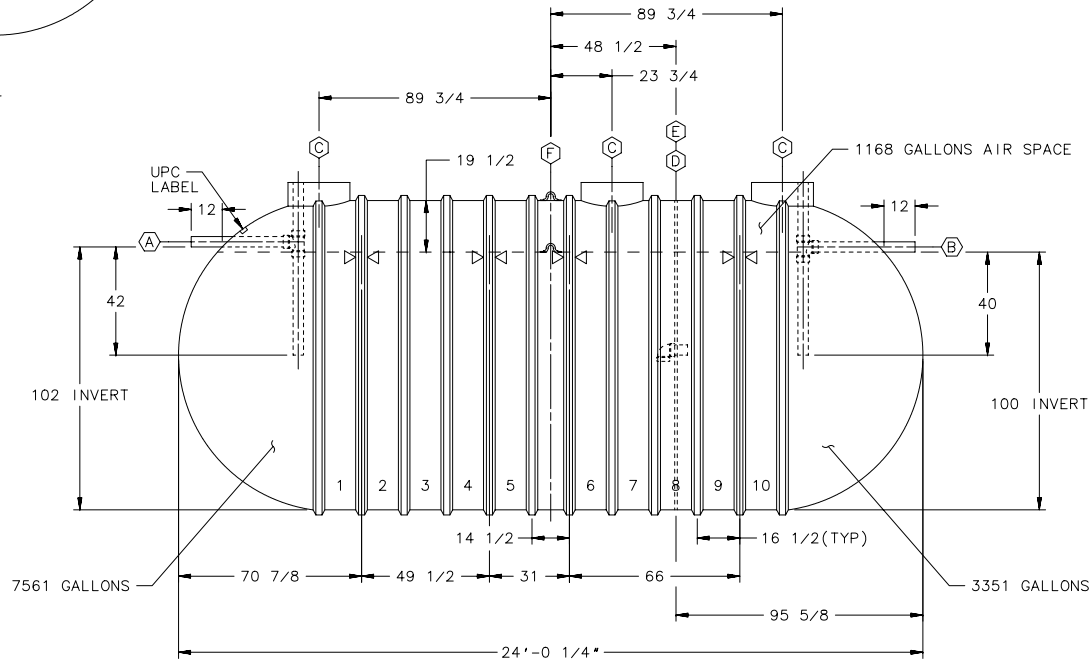


CROSS-OVER & BAFFLE DETAIL



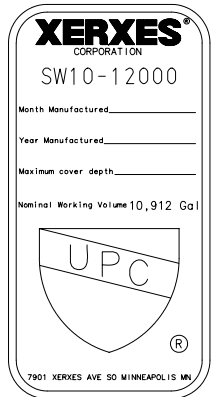
NOTE:

1 - UPC LABEL IS LAMINATED ONTO INLET SIDE OF TANK.

I hereby certify that this plan, specification or report was prepared by me or under my direct supervision and that I am a duly Registered Professional Engineer under the laws of the State of Minnesota

John R. Burwell

Date _____ Reg. No. 24679



(A)	4"DIA, 6"DIA OR 8"DIA SCH 40 PVC INLET PIPE WITH INTERNAL SANITARY TEE & PIPES
(B)	4"DIA, 6"DIA OR 8"DIA SCH 40 PVC OUTLET PIPE WITH INTERNAL SANITARY TEE & PIPES
(C)	RISER PIPE, FOR 24"(NOMINAL) ACCESS OPENING
(D)	FULL PLATE BAFFLE WITH 1-4 5/8" DIA HOLE (59 3/4" INVERT) & 4" DIA VENT HOLE
(E)	4"DIA SCH 40 PVC CROSS-OVER ELBOW & PIPE
(F)	LIFTING LUG (2 LUGS TOTAL)
(X)	HOLD DOWN STRAP LOCATION

0		REVISION DESCRIPTION		BY DATE	
CR'D	DATE	STP'S	DATE	APP'D	DATE
XERXES CORPORATION		TITLE: 10" DIA SWT CAP: 12,000 GALLONS IAPMO			
		DR: DAG DATE: 7-19-06	DR: SIBS DATE: 7-25-06		
STP'S: DATE:	DR: SIBS DATE: 7-25-06		DR: SIBS DATE: 7-25-06		REV: D 628-332 00
APPR'D: JEB DATE: 7-25-06		SCALE: 1/2"=1'-0"		NEXT ASS'Y: - - - - - SHT 1 OF 1	