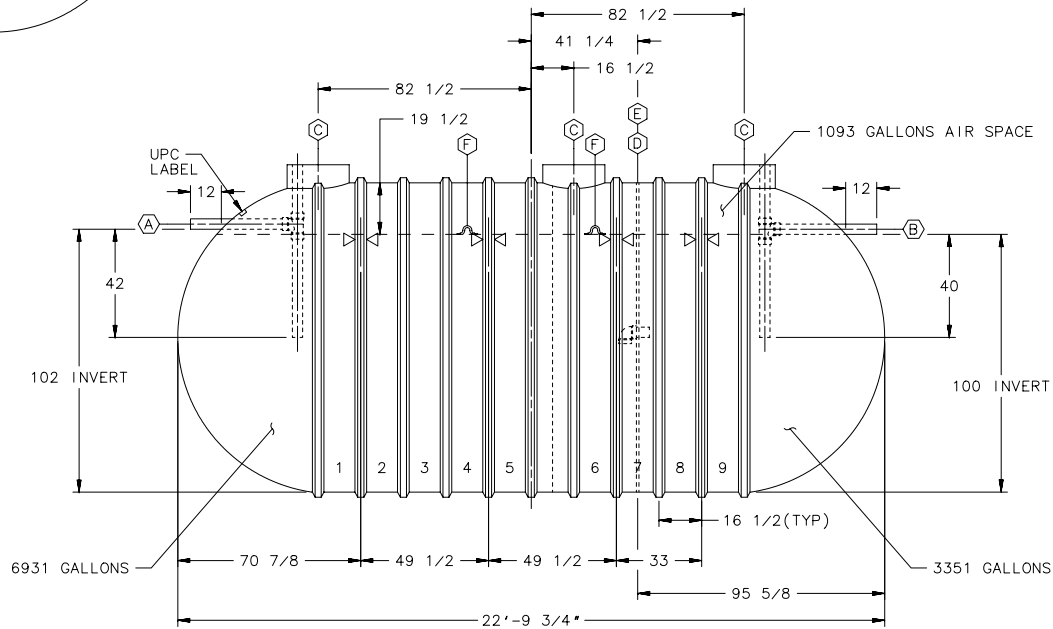


CROSS-OVER & BAFFLE DETAIL



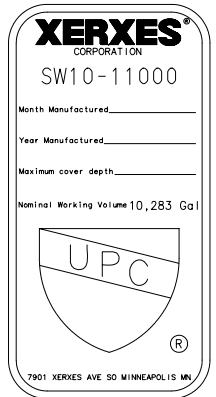
NOTE:

1 - UPC LABEL IS LAMINATED ONTO INLET SIDE OF TANK.

I hereby certify that this plan, specification or report was prepared by me or under my direct supervision and that I am a duly Registered Professional Engineer under the laws of the State of Minnesota

John R. Burwell

Date _____ Reg. No. 24679



(A)	4"DIA, 6"DIA OR 8"DIA SCH 40 PVC INLET PIPE WITH INTERNAL SANITARY TEE & PIPES
(B)	4"DIA, 6"DIA OR 8"DIA SCH 40 PVC OUTLET PIPE WITH INTERNAL SANITARY TEE & PIPES
(C)	RISER PIPE, FOR 24*(NOMINAL) ACCESS OPENING
(D)	FULL PLATE BAFFLE WITH 1-4 5/8" DIA HOLE (59 3/4" INVERT) & 4" DIA VENT HOLE
(E)	4"DIA SCH 40 PVC CROSS-OVER ELBOW & PIPE
(F)	LIFTING LUG (2 LUGS AT EACH LOCATION, 4 TOTAL)
☒	HOLD DOWN STRAP LOCATION

0	REVISION DESCRIPTION	BY DATE
DRG/D	DATE	DATE
XERXES CORPORATION		
DRG/DAG	DATE	TITLE
DRG/D	DATE	10" DIA SWT
SHP/D	DATE	CAP. 11,000 GALLONS
APPR/JB	DATE	IAPMO
SCALE: 1/2"=1'-0"	NEXT ASS'Y:	REV
		D 628-344 00
		SHY 1 OF 1