



**FOR MORE INFORMATION
CALL (818) 991-9997**

<http://www.biosolutions.org>

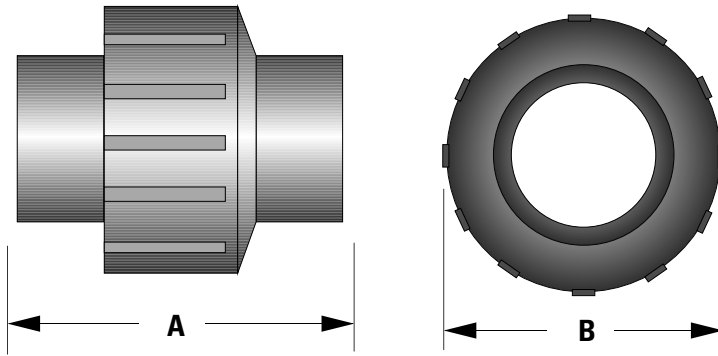
Unions & Valves

Submittal
Data Sheet



Oreco Systems®
Incorporated

1-800-348-9843



Standard Models:

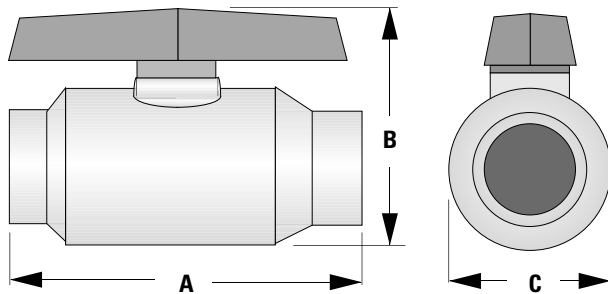
U0500S, U0500T,
U0750S, U0750T,
U1000S, U1000T,
U1250S, U1250T,
U1500S, U1500T,
U2000S, U2000T,
U3000S, U4000S

Model Code Nomenclature:

U XXXX X — Indicates slip (S) or threaded (T)
 Indicates nominal diameter (in.)
 Union

Unions are available in the sizes shown below. Composed of sch. 80 HI-IMPACT type II PVC per ASTM D-1785. O-rings composed of EPDM. 1/2" - 2" available in either slip or threaded connections; 3" & 4" available in slip only.

Dia. Size (in.)	A (in.)	B (in.)
1/2 (S)	2.20	2.07
1/2 (T)	2.27	2.01
3/4	2.38	2.51
1	2.64	2.83
1 1/4	2.88	3.10
1 1/2	3.23	3.76
2	3.63	4.07
3	5.06	5.75
4	5.88	7.13



Standard Models:

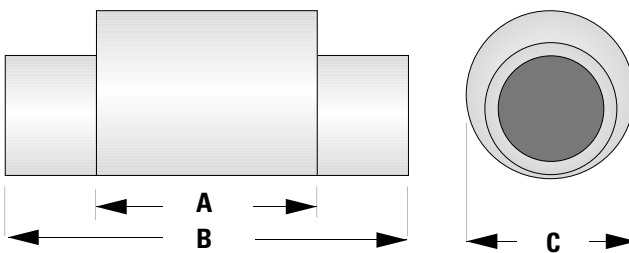
VLT0500S, VLT0500T,
VLT0750S, VLT0750T,
VLT1000S, VLT1000T
VLT1250S, VLT1250T,
VLT1500S, VLT1500T,
VLT2000S, VLT2000T

Model Code Nomenclature:

VLT XXXX X — Indicates slip (S) or threaded (T)
 Indicates nominal diameter (in.)
 Ball Valve

Ball Valves are available in the sizes shown below. Composed of sch. 40 HI-IMPACT PVC Type II per ASTM D-1785. O-rings composed of EPDM. Stem seal is pre-loaded for longer life. All sizes available in either slip or threaded connections.

Dia. Size (in.)	A (in.)	B (in.)	C (in.)
1/2	3.22	2.57	1.60
3/4	4.04	3.71	2.08
1	4.38	3.56	2.33
1 1/4	5.30	4.50	3.15
1 1/2	5.30	4.50	3.15
2	6.00	5.45	3.80



Standard Models:

KSC1000S, KSC1000T,
KSC1250S, KSC1250T,
KSC1500S, KSC1500T,
KSC2000S, KSC2000T,
KSC3000S, KSC4000S

Model Code Nomenclature:

KSC XXXX X — Indicates slip (S) or threaded (T)
 Indicates nominal diameter (in.)
 Check Valve

Check Valves are available in the sizes shown below. Composed of sch. 40 HI-IMPACT PVC Type II per ASTM D-1785. Swing gate composed of EPDM. Only 1/2 lb. back pressure required for complete closure. All sizes available in either slip or threaded connections.

Dia. Size (in.)	A (in.)	B (in.)	C (in.)
1/2	2.82	5.38	2.19
3/4	2.82	5.38	2.19
1	2.82	5.13	2.19
1 1/4	3.54	6.31	2.81
1 1/2	3.54	6.31	2.79
2	3.88	6.63	3.40
3	4.63	8.63	5.75
4	5.62	9.75	6.50

