



**FOR MORE INFORMATION
CALL (818) 991-9997**

<http://www.biosolutions.org>

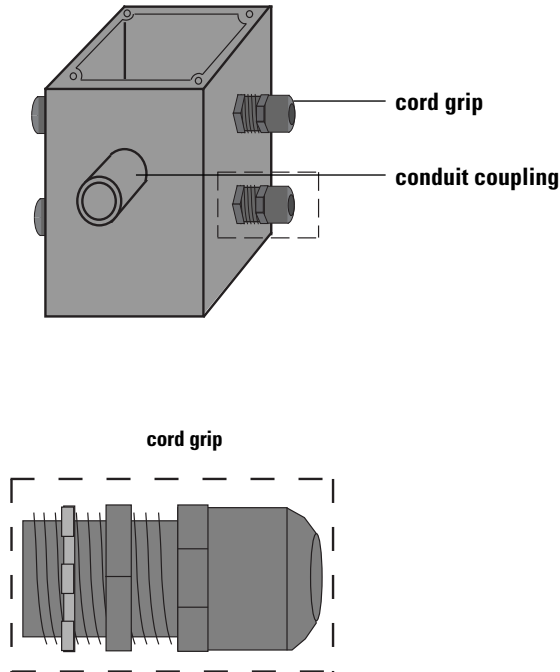
Splice Boxes

Submittal
Data Sheet



Applications

Oreco Splice Boxes are used in risers to house spliced wire connections between an electrical control panel and such equipment as effluent pumps and float switches.



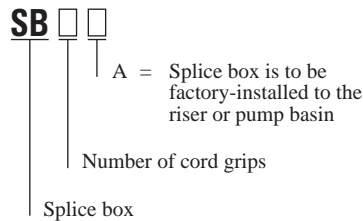
General

Oreco Splice Boxes are available with one to six watertight cord grips. Included are heat shrink connectors, a neoprene sealing gasket, and four stainless steel lid screws.

Standard Models

SB1, SB2, SB3, SB4, SB5, SB6.

Nomenclature



Specifications

Model	No. of Cord Grips	Conduit Size (in.)
SB1	1	3/4
SB2	2	3/4
SB3	3	3/4
SB4	4	3/4
SB5	5	1
SB6	6	1

Splice Boxes are 4" wide x 3.45" long x 6.25" deep. They conform to UL 514C, CSA C22.2 No. 85 1968, and have a NEMA 4X rating. Neoprene seal can withstand water pressures up to 70 psi.

Cord grips are registered under U.S. patent No. 5,405,172 and are listed under UL file number E-51579 and CSA file number LR-93876. Grips can house cords with diameters between 0.17" and 0.47" and can withstand temperatures of up to 212° F.

Materials of Construction:

Splice box:	PVC per ASTM D-1784
Conduit coupling:	PVC per ASTM D-1784
Cord grip:	Nylon
Locknut:	Stainless steel