



**FOR MORE INFORMATION  
CALL (818) 991-9997**

**<http://www.biosolutions.org>**

# Fiberglass RRFTA Tank Adapters

Submittal  
Data Sheet



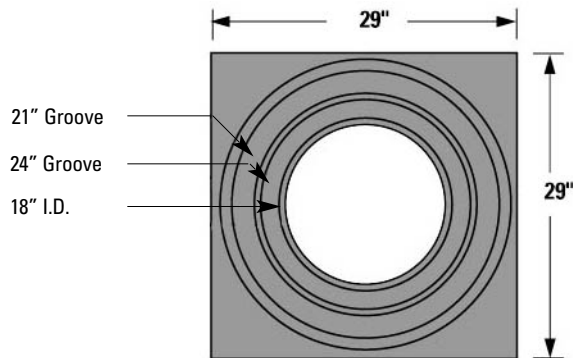
Oreco Systems®  
Incorporated

1-800-348-9843

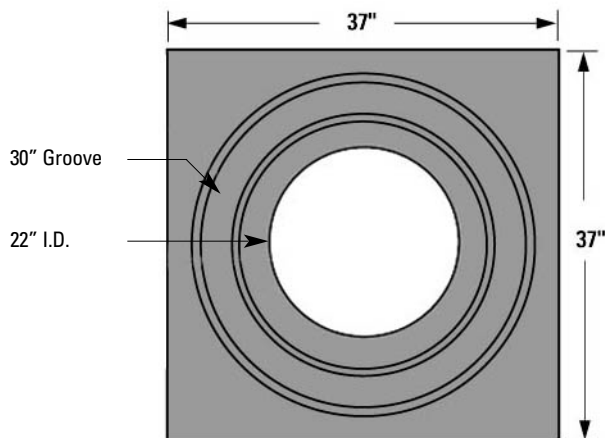
## Applications

Oreco Tank Adapters are used to access the opening of a septic tank to facilitate the installation of a riser.

Both models are for use on tanks having square access holes or lacking an appropriate surface on which to mount a riser.



RRFTA



RRFTA30

## General

Oreco Fiberglass Tank Adapters are attached to a concrete tank with epoxy or a bolt down kit. Adapters are attached to a fiberglass tank with an adhesive such as IPS810.

The RRFTA adapter has grooves to accommodate 21" and 24" risers. RRFTA30 adapters are grooved for 30" risers only.

An RRFTA adapter bolt down kit consists of stainless steel anchor bolts and butyl sealant.

## Standard Models

RRFTA, RRFTA30

RRFTABDKIT, RRFTA30BDKIT

## Specifications

Dimensions are noted on the illustrations above. Both models have a nominal 1/4" thickness.

### Materials of Construction:

Fiberglass Reinforced Polyester