



**FOR MORE INFORMATION  
CALL (818) 991-9997**

**<http://www.biosolutions.org>**

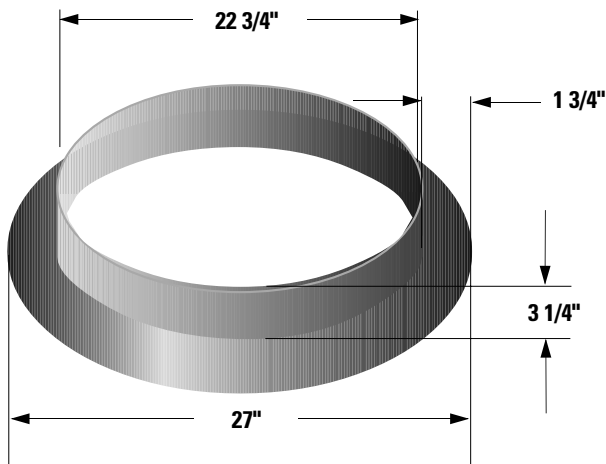
# PRTA24 ABS Tank Adapters

Submittal  
Data Sheet



## Applications

The PRTA24 Tank Adapter is used to provide a structural, water-tight method of installing an access riser over a tank opening.



## General

The PRTA24 Tank Adapter can either be cast into a tank or fastened to the top of a concrete tank with a bolt down kit consisting of stainless steel anchor bolts and butyl sealant. Risers are then placed over the top and fixed into place with epoxy.

The O.D. (23.5") of the vertical flange matches the I.D. of Orengo's 24" dia. ribbed riser, which provides a suitable joint to seal with MA320 or ADH100 adhesive.

## Standard Models

PRTA24

PRTA24BDKIT

## Specifications

### Materials of Construction:

ABS