



**FOR MORE INFORMATION
CALL (818) 991-9997**

<http://www.biosolutions.org>

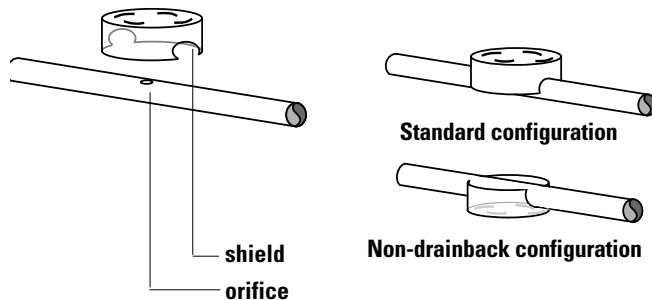
Orifice Shields

Submittal
Data Sheet



Applications

Oreco Orifice Shields are used in a pressurized distribution system to protect the orifices from backfill debris that might cause orifice blockage.



(Oreco orifice shields may be placed on top of or beneath a lateral, depending on the location of the orifice)

General

Oreco Orifice Shields snap-fit onto laterals. Orifice shields are covered by method-of-use patent no. 5,360,556.

Standard Models

OS075, OS100, OS125,
OS150, OS200

Nomenclature

OS XXX
└─ Indicates the corresponding lateral size (in.)

Specifications

Dimensions

Model	OS075	OS100	OS125	OS150	OS200
Shield O.D. (in.)	3.5	3.5	3.5	4.5	4.5
Distribution Pipe O.D. (in.)	1.05	1.315	1.66	1.90	2.375

Materials of Construction:

PVC (polyvinylchloride) per ASTM D-1784