



**FOR MORE INFORMATION  
CALL (818) 991-9997**

**<http://www.biosolutions.org>**

# FRTA30 Tank Adapters

Submittal  
Data Sheet

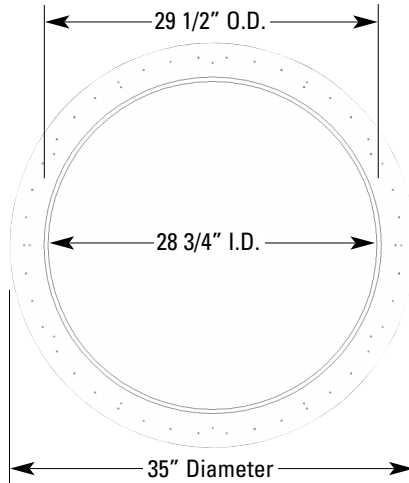
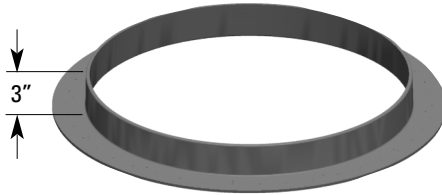


Oreco Systems®  
Incorporated

1-800-348-9843

## Applications

The FRTA30 Tank Adapter is used to provide a structural watertight method of installing a 30" access riser over a tank opening.



## General

Oreco FRTA30 Tank Adapters can either be cast into a tank or fastened to the top of the tank with an FRTA30BDKIT bolt down kit. The bolt down kit consists of 12 concrete anchors and a roll of butyl sealant.

The O.D. (29.5") of the vertical flange matches the I.D. of Oreco's 30" diameter ribbed riser, which provides a suitable joint to seal with IPS810 adhesive.

## Standard Models

FRTA30

## Nomenclature

FRTA

Indicates riser diameter being used:  
30 = 30" riser

Fiberglass riser tank adapter

## Specifications

Dimensions are noted on the illustration above. The Tank Adapter has a nominal 1/4" thickness.

## Materials of Construction:

Fiberglass Reinforced Polyester